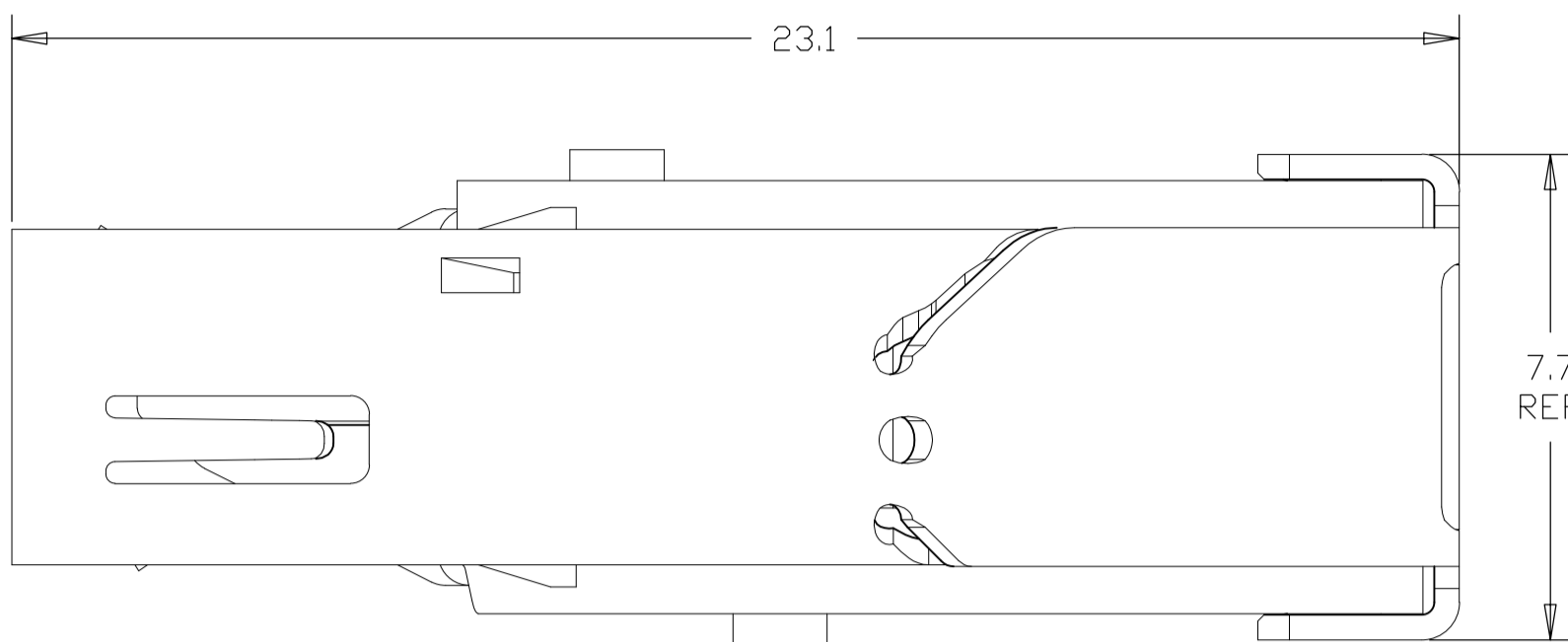
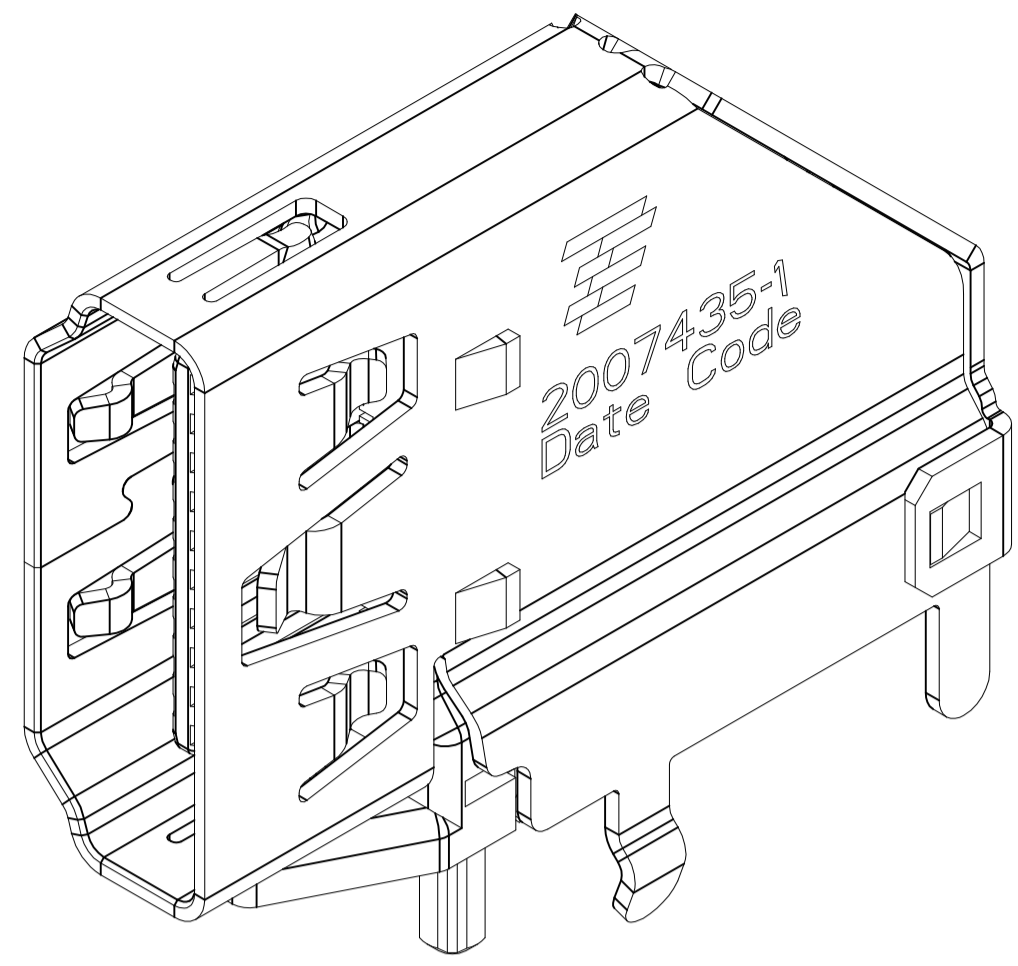
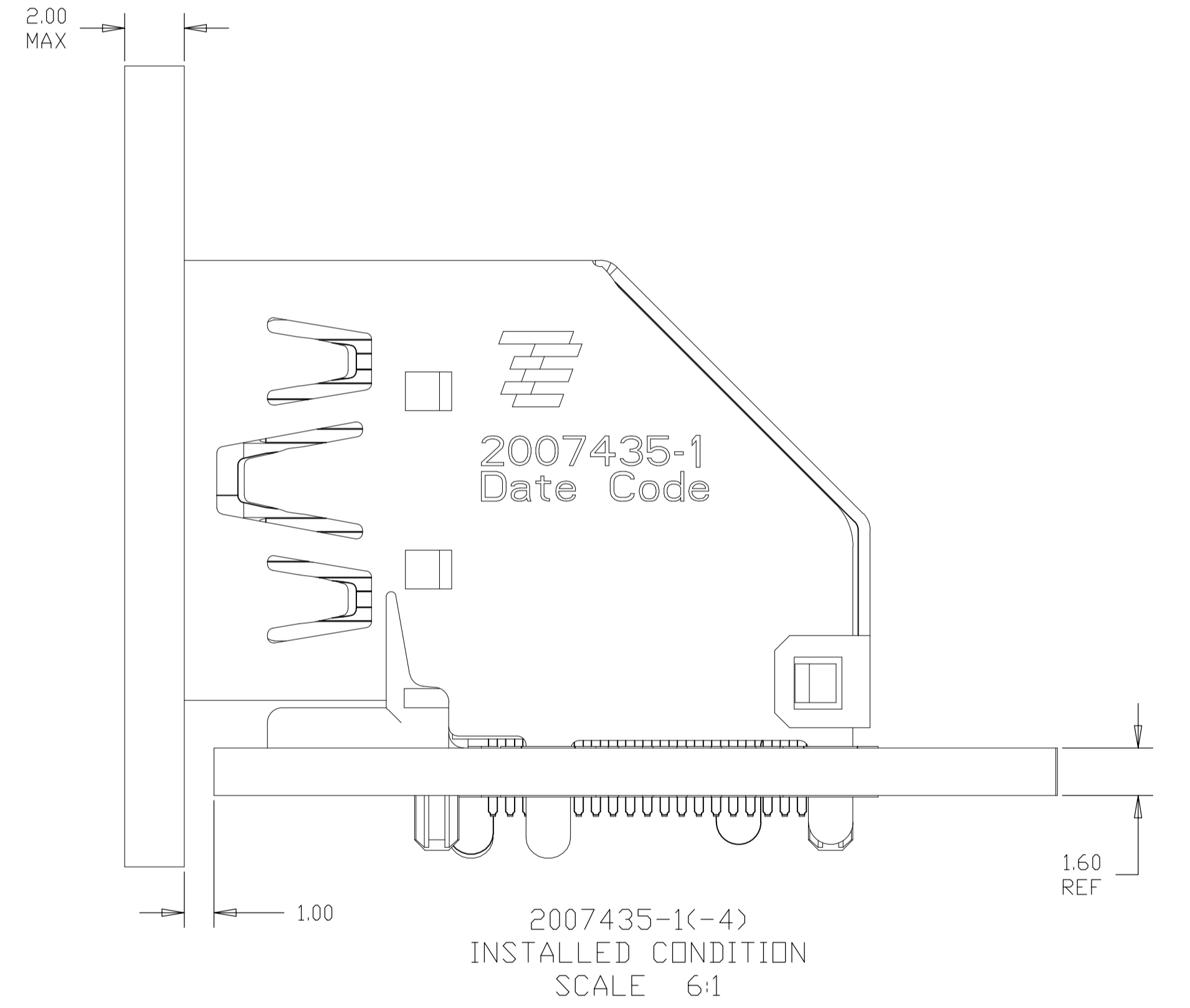
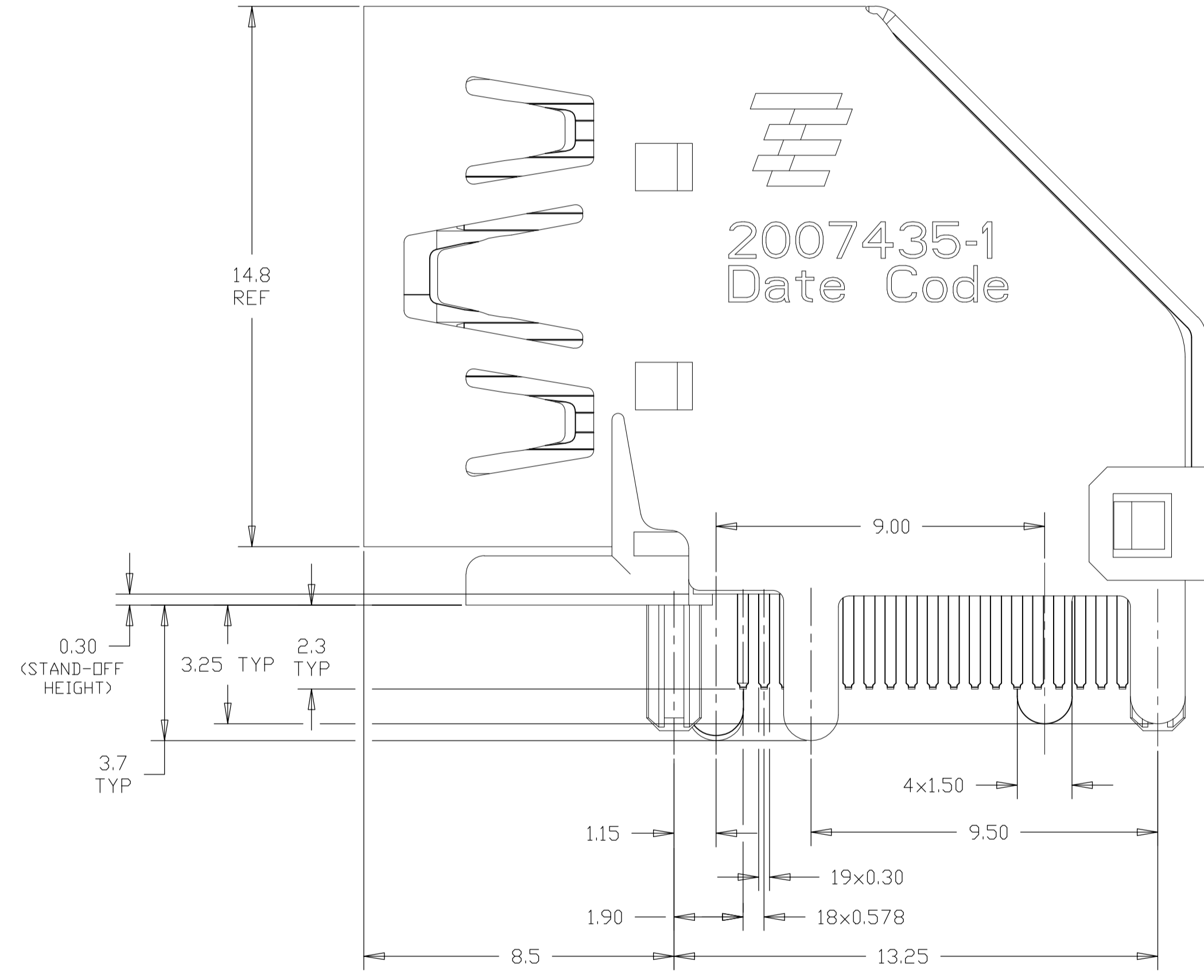
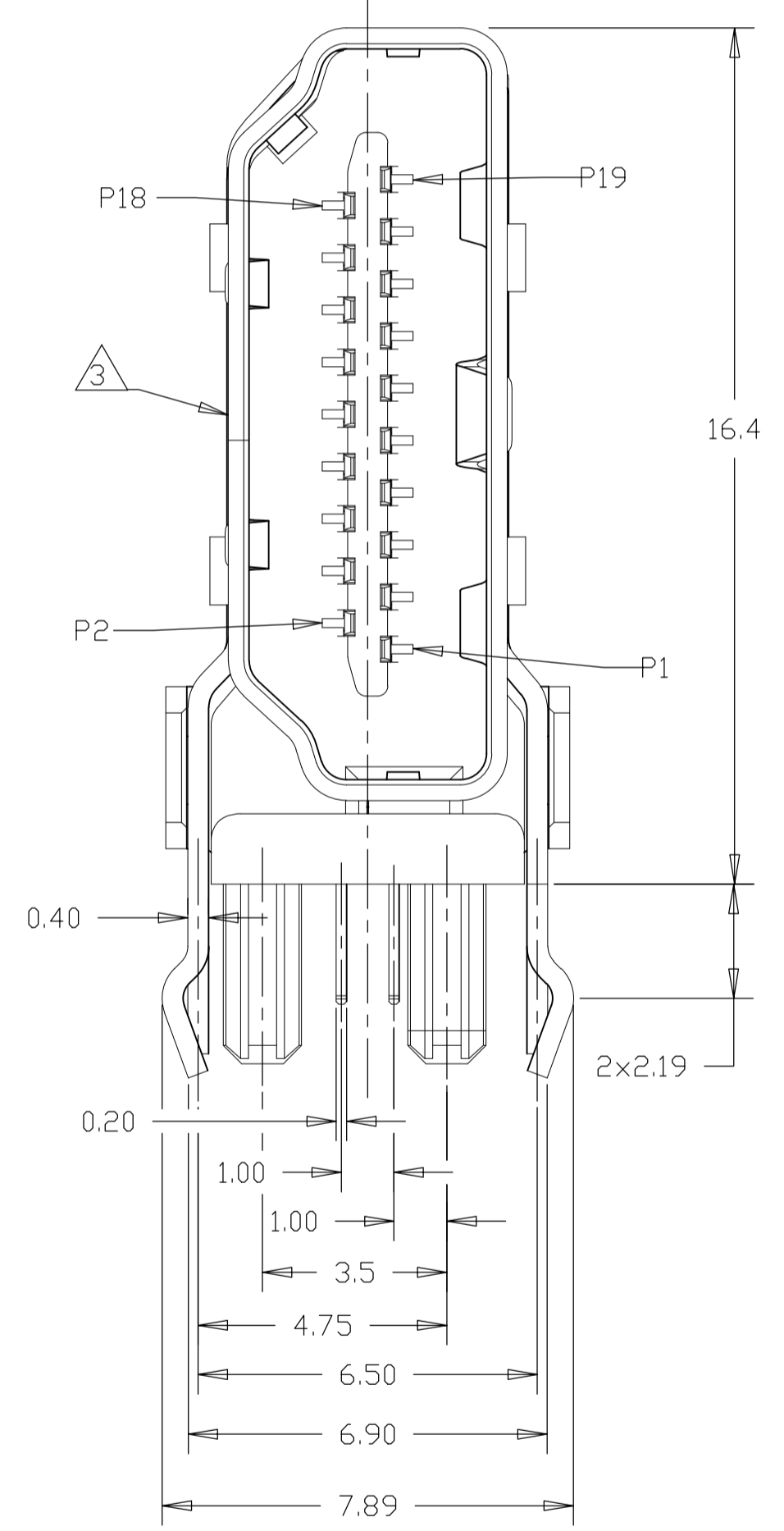


| REVISONS | | DATE | DMN | APVD |
|----------|----------------------------|-----------|-----|------|
| C | RELEASE PER ECR-10-024107 | 8/31/2010 | FL | SY |
| C1 | RELEASE PER ECR-11-016951 | 7/20/2011 | JJ | SY |
| D2 | RELEASED PER ECR-16-011711 | 4/10/2017 | A.X | H.W |

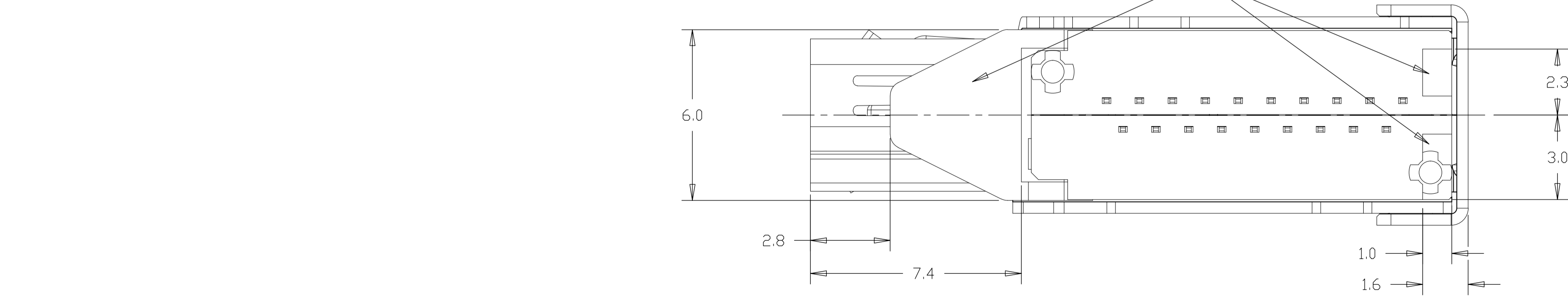


- 1 MATERIALS:
HOUSING: HIGH TEMP THERMOPLASTIC, UL94V-0, BLACK, PBT.
CONTACTS: COPPER ALLOY.
SHIELD: STAINLESS STEEL.
- 2 FINISH:
CONTACTS:
MATING AREA: CONFORMS TO HDMI SPECIFICATION VERSION 1.3a, TABLE 4-6 AND 4-7 (ELECTRICAL AND ENVIRONMENTAL PERFORMANCE), BASED ON EIA/ECA - 364-1000.01A (CONTROLLED ENVIRONMENT APPLICATIONS).
SOLDER TAILS: TIN OVER NICKEL.
- 3 INTERFACE DIMENSIONS PER HDMI SPECIFICATION VERSION 1.3a.
- 4 WAVE SOLDER COMPATIBLE PER 109-202. CONDITION B. NO CLEAN FLUX IS RECOMMENDED.
- 5 THIS DIMENSION HAS AN ADDITIONAL 1.0 CLEARANCE OVER HDMI V1.3a SPECIFICATION MAXIMUM CABLE TYPE A PLUG HEIGHT.
- 6 REMOVE CAP IS RECOMMENDED AFTER WAVE SOLDER.
- 7 MATERIALS:
HOUSING: HIGH TEMP THERMOPLASTIC, UL94V-0, BLACK, LCP.
CONTACTS: COPPER ALLOY.
SHIELD: STAINLESS STEEL.
- 8 STAND-OFF AREA.

2007435-1(-4)
SCALE 6:1



| EMBOSS TAPE | WITHOUT POLYIMIDE TAPE | WITHOUT KINK AND WITH CAP | 0.38 μm | △ | 2.00 | 2007435-7 |
|-------------|------------------------|------------------------------|----------|---------------|----------|-----------|
| EMBOSS TAPE | WITH POLYIMIDE TAPE | WITHOUT KINK AND WITHOUT CAP | 0.38 μm | △ | 2.00 | 2007435-6 |
| TRAY | WITHOUT POLYIMIDE TAPE | WITH KINK AND WITH CAP | 0.38 μm | △ | 1.60 | 2007435-5 |
| | | WITH KINK AND WITHOUT CAP | 0.76 μm | △ | 1.60 | 2007435-4 |
| | | WITHOUT KINK AND WITH CAP | 0.38 μm | △ | 1.60 | 2007435-3 |
| | | WITHOUT KINK AND WITHOUT CAP | 0.38 μm | △ | 2.40 | 2007435-2 |
| PACKAGE | | WITH KINK AND WITHOUT CAP | 0.38 μm | △ | 1.60 | 2007435-1 |
| PACKAGE | REMARK | GOLD PLATING ON CONTACT AREA | MATERIAL | PCB THICKNESS | PART NO. | |



THIS DRAWING IS A CONTROLLED DOCUMENT.

DMN: Francis Lee 31AUG2010
CHK: Martin Li 31AUG2010
APVD: Steven Yao 31AUG2010

NAME: HDMI FLAG CONNECTOR ASSEMBLY

PRODUCT SPEC: 108-60079

APPLICATION SPEC: -

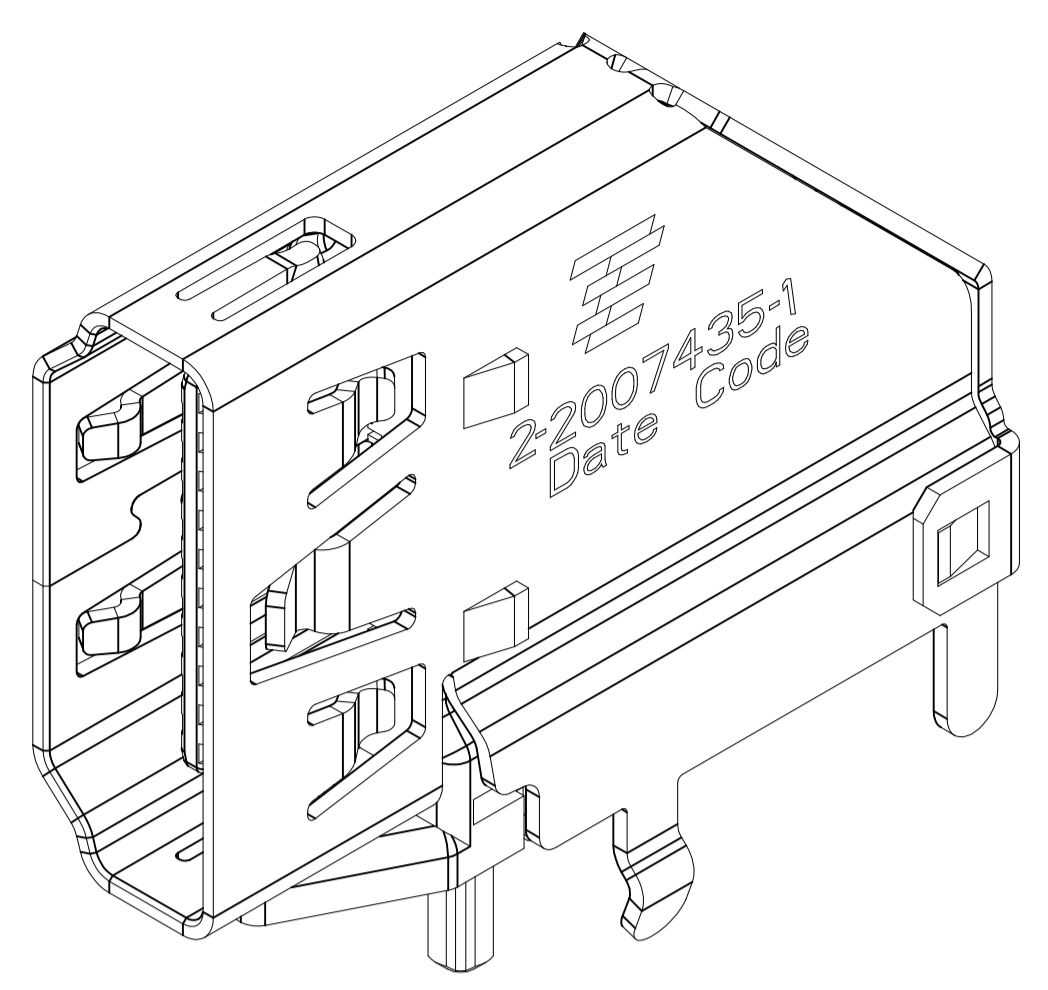
SIZE: A1
CAGE CODE: 00779
DRAWING NO: 2007435

RESTRICTED TO: -

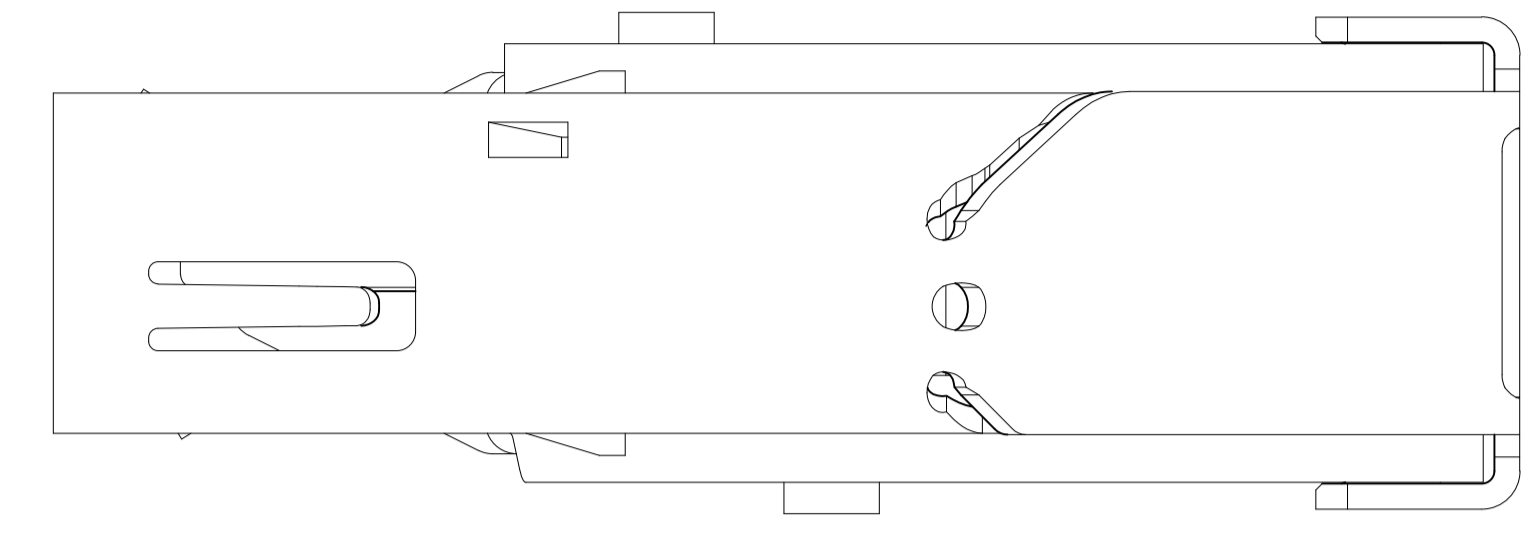
CUSTOMER DRAWING

SCALE: 8:1 SHEET 1 OF 10 REV D2

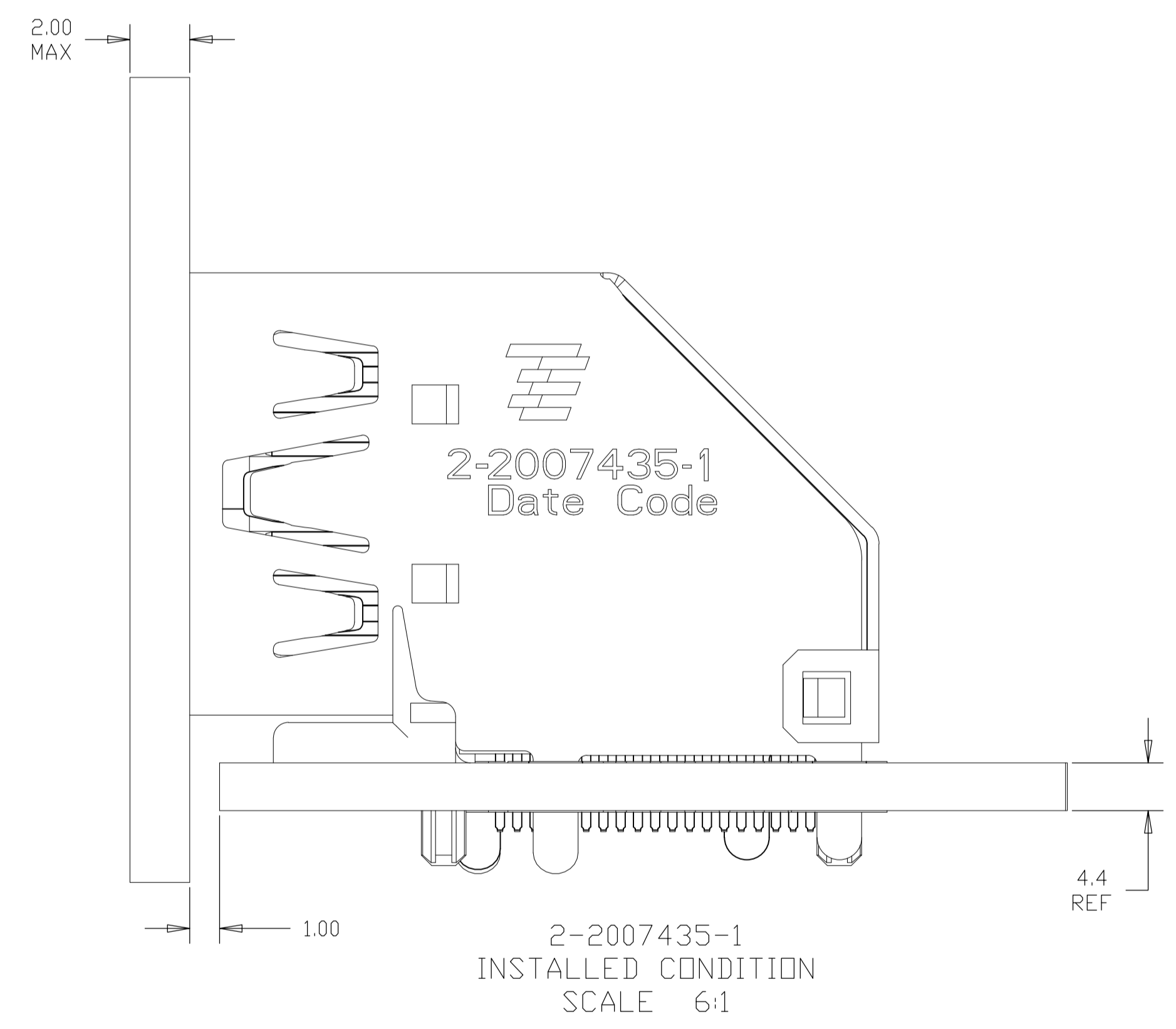
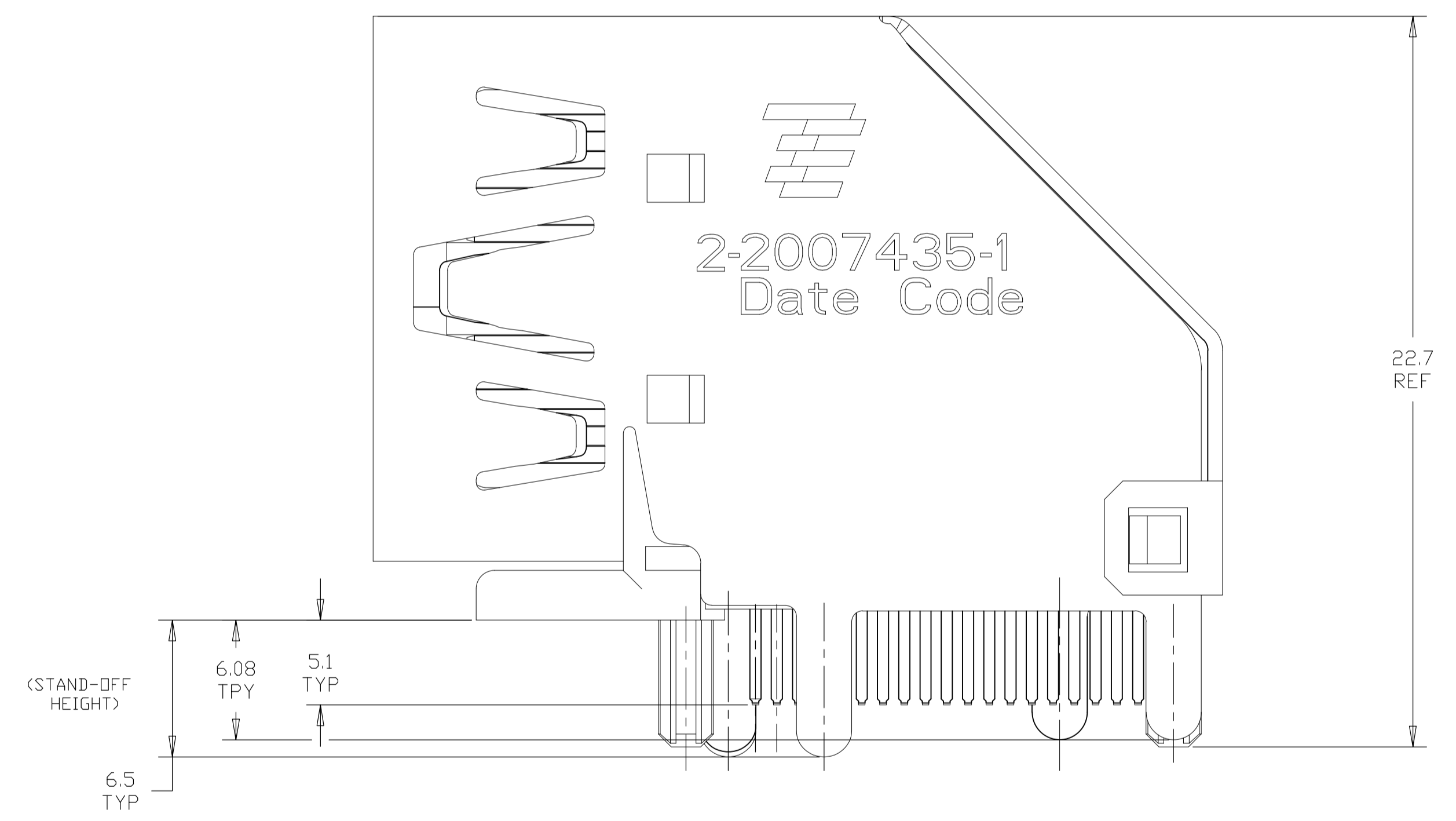
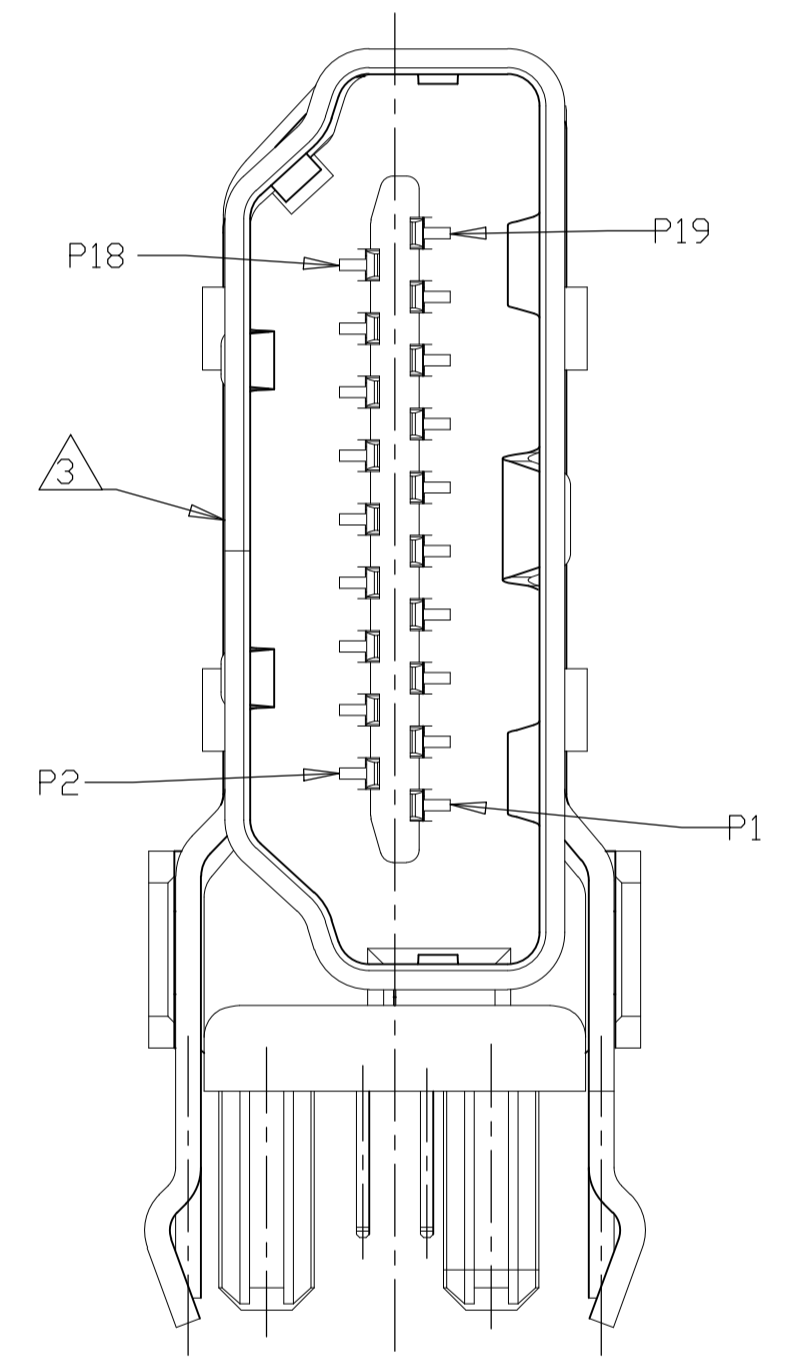
| LOC | | DIST | | REVISIONS | | | |
|-----|------|------|-----|-------------|------|-----|------|
| NO | DATE | BY | CHK | DESCRIPTION | DATE | OWN | APPD |
| - | - | - | - | SEE SHEET 1 | - | - | - |



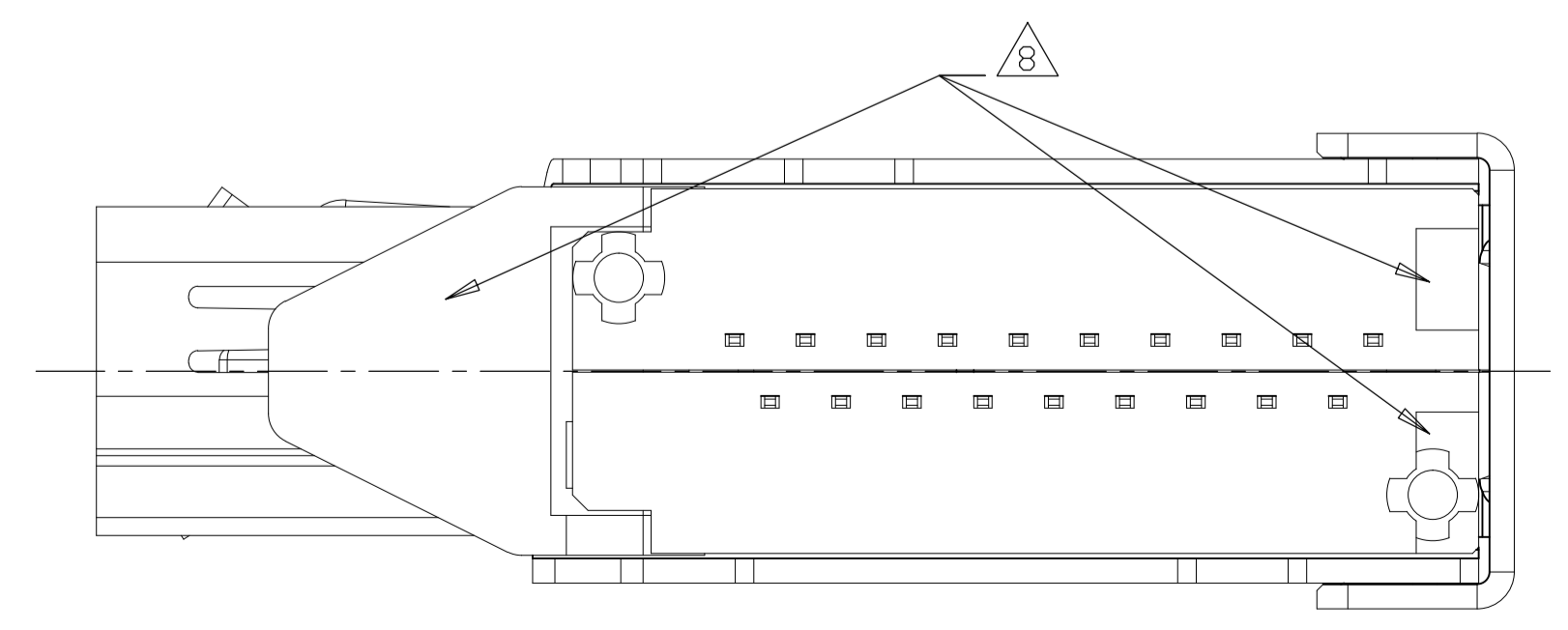
2-2007435-1 WITHOUT BOARD LOCK,
UNMARKED DIMENSIONS SAME AS 2007435-1
SCALE 6:1



- 1 MATERIALS:
HOUSING: HIGH TEMP THERMOPLASTIC, UL94V-0, BLACK, PBT.
CONTACTS: COPPER ALLOY.
SHIELD: STAINLESS STEEL.
- 2 FINISH:
CONTACTS:
MATING AREA: CONFORMS TO HDMI SPECIFICATION VERSION 1.3a
TABLE 4-6 AND 4-7 (ELECTRICAL AND ENVIRONMENTAL PERFORMANCE), BASED ON EIA/ECA - 364-1000.01A (CONTROLLED ENVIRONMENT APPLICATIONS).
SOLDER TAILS: TIN OVER NICKEL.
- 3 INTERFACE DIMENSIONS PER HDMI SPECIFICATION VERSION 1.3a.
- 4 WAVE SOLDER COMPATIBLE PER 109-202, CONDITION B.
NO CLEAN FLUX IS RECOMMENDED.
- 5 THIS DIMENSION HAS AN ADDITIONAL 1.0 CLEARANCE OVER HDMI V1.3a SPECIFICATION MAXIMUM CABLE TYPE A PLUG HEIGHT.
- 6 REMOVE CAP IS RECOMMENDED AFTER WAVE SOLDER.
- 7 MATERIALS:
HOUSING: HIGH TEMP THERMOPLASTIC, UL94V-0, BLACK, LCP.
CONTACTS: COPPER ALLOY.
SHIELD: STAINLESS STEEL.
- 8 STAND-OFF AREA.

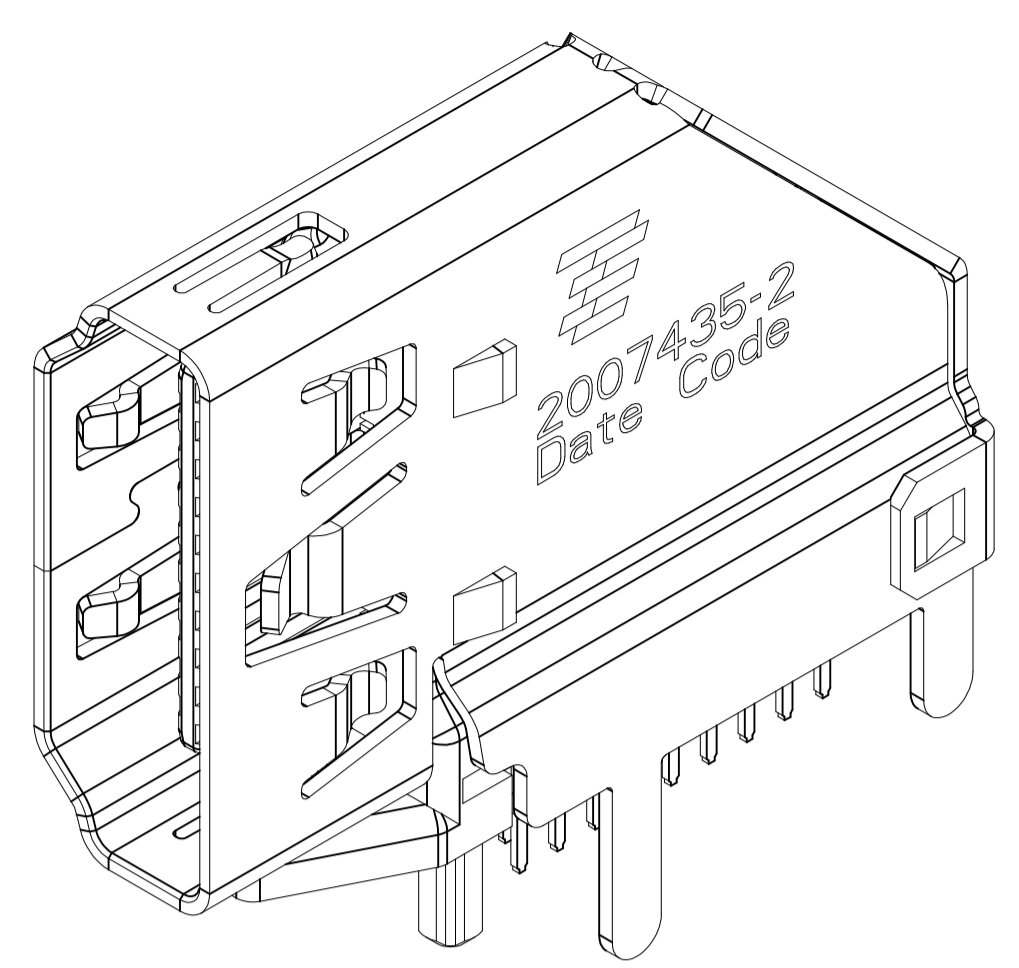


DESIGN APPROVED THIS PRINT IS
PRELIMINARY
TO FIRST PIECE APPROVAL
CONTACT PRODUCT ENGINEERING
BEFORE USING THIS PRINT

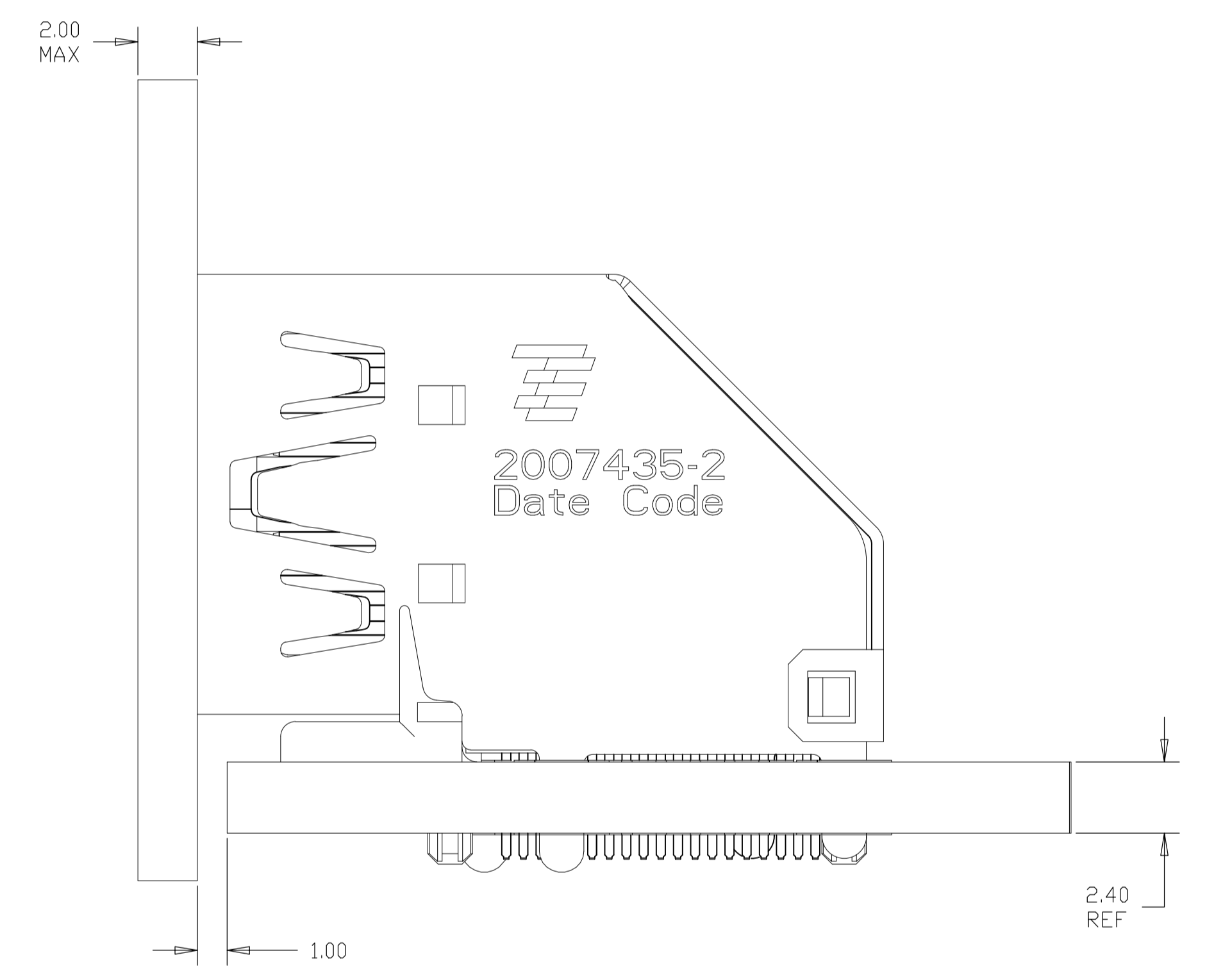
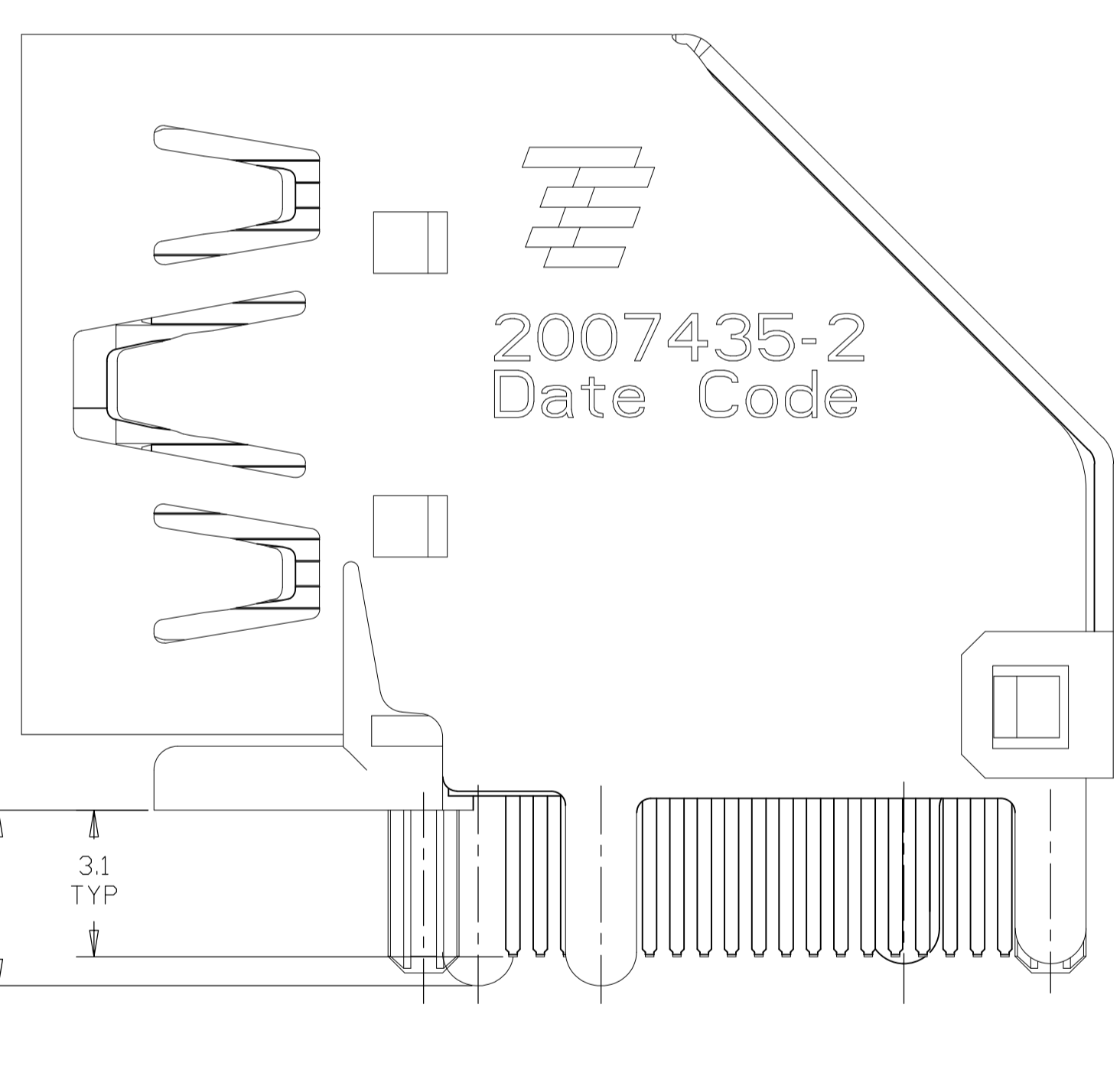
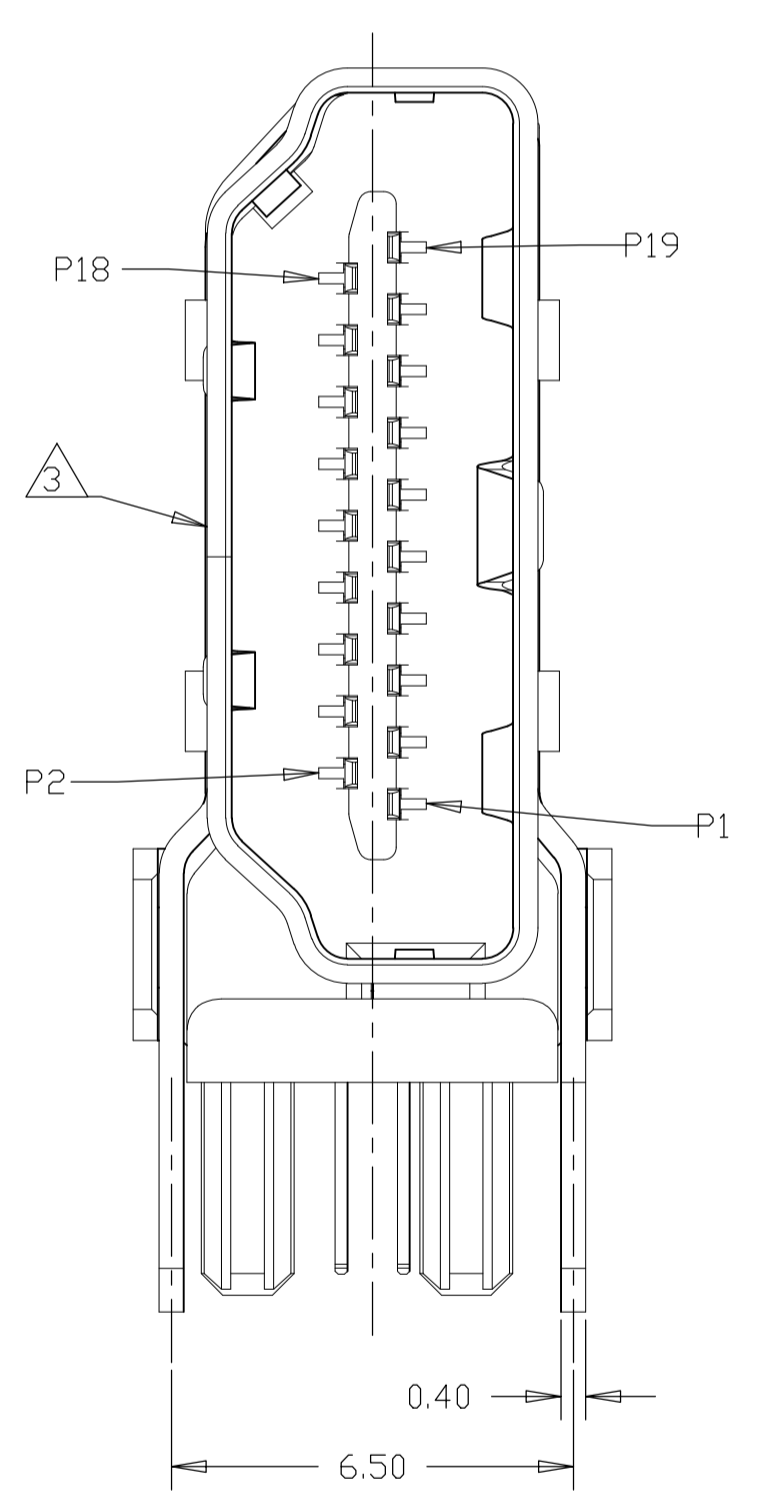
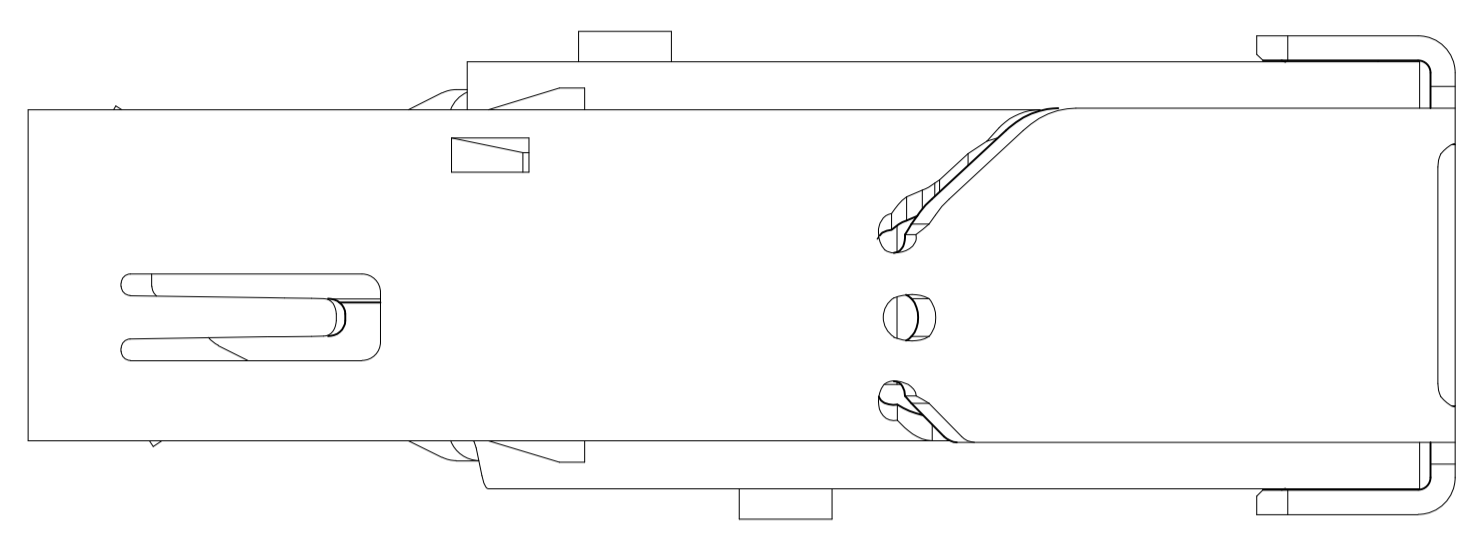


| | | | | | |
|----------------------------------------|------------------------|---------------------------|--------------------------------|---------------------|---------------|
| TRAY | WITHOUT POLYIMIDE TAPE | WITH KINK AND WITHOUT CAP | 0.38 μ m | 4.40 | 2-2007435-1 |
| PACKAGE | REMARK | | GOLD PLATING ON CONTACT AREA | MATERIAL | PCB THICKNESS |
| THIS DRAWING IS A CONTROLLED DOCUMENT. | | | DWN Francis Lee 31AUG2010 | STE TE Connectivity | |
| DIMENSIONS: mm | | | CHK Martin Li 31AUG2010 | NAME | |
| TOLERANCES UNLESS OTHERWISE SPECIFIED: | | | APVD Steven Yao 31AUG2010 | PRODUCT SPEC | |
| 0 PLC \pm - | | | 108-60079 | | |
| 1 PLC \pm 0.3 | | | APPLICATION SPEC | | |
| 2 PLC \pm 0.25 | | | SIZE CAGE CODE DRAWING NO | | |
| 3 PLC \pm 0.100 | | | A1 00779 2007435 | | |
| 4 PLC \pm 0.1000 | | | RESTRICTED TO | | |
| ANGLES \pm 5 | | | WEIGHT | | |
| MATERIAL SEE TABLE | | | FINISH | | |
| | | | CUSTOMER DRAWING | | |
| | | | SCALE 8:1 SHEET 2 OF 10 REV D2 | | |

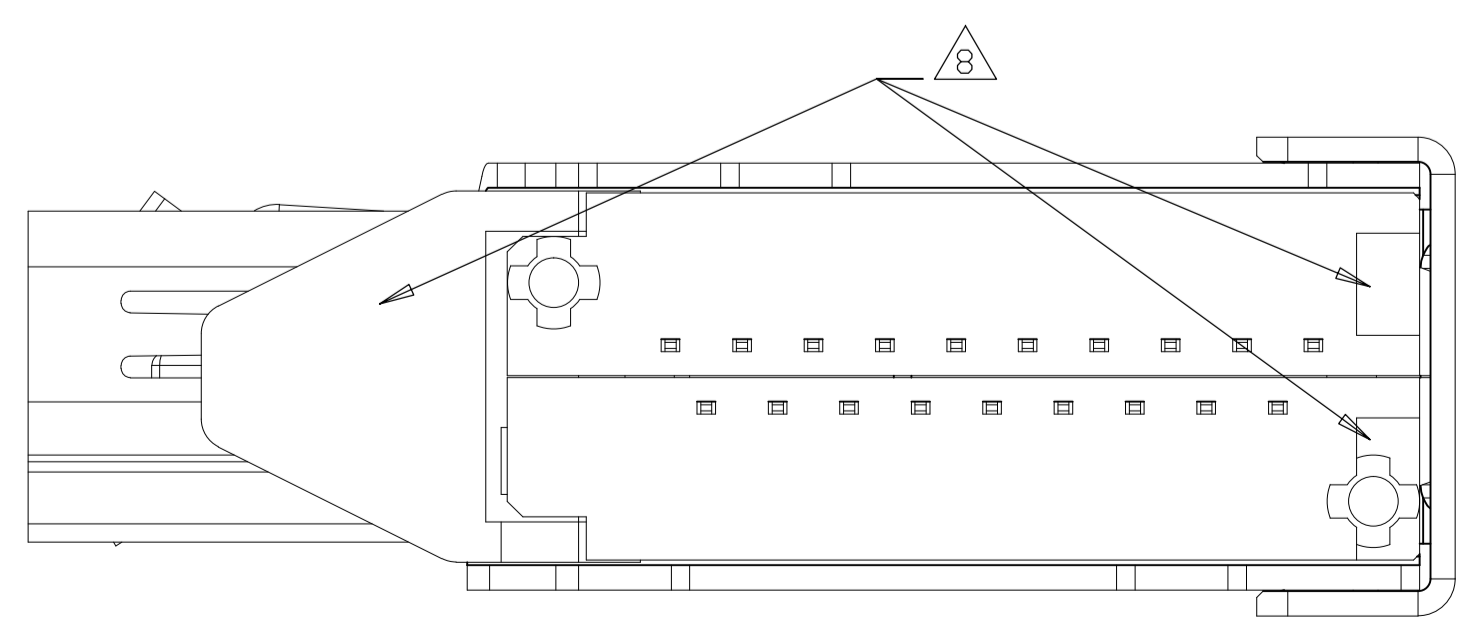
| LOC | | DIST | | REVISIONS | | | |
|-----|-----|-------------|------|-----------|------|---|---|
| P | LTR | DESCRIPTION | DATE | DN | APVD | | |
| - | - | SEE SHEET 1 | - | - | - | - | - |



2007435-2 WITHOUT BOARD LOCK,
 UNMARKED DIMENSIONS SAME AS 2007435-1
 SCALE 6:1

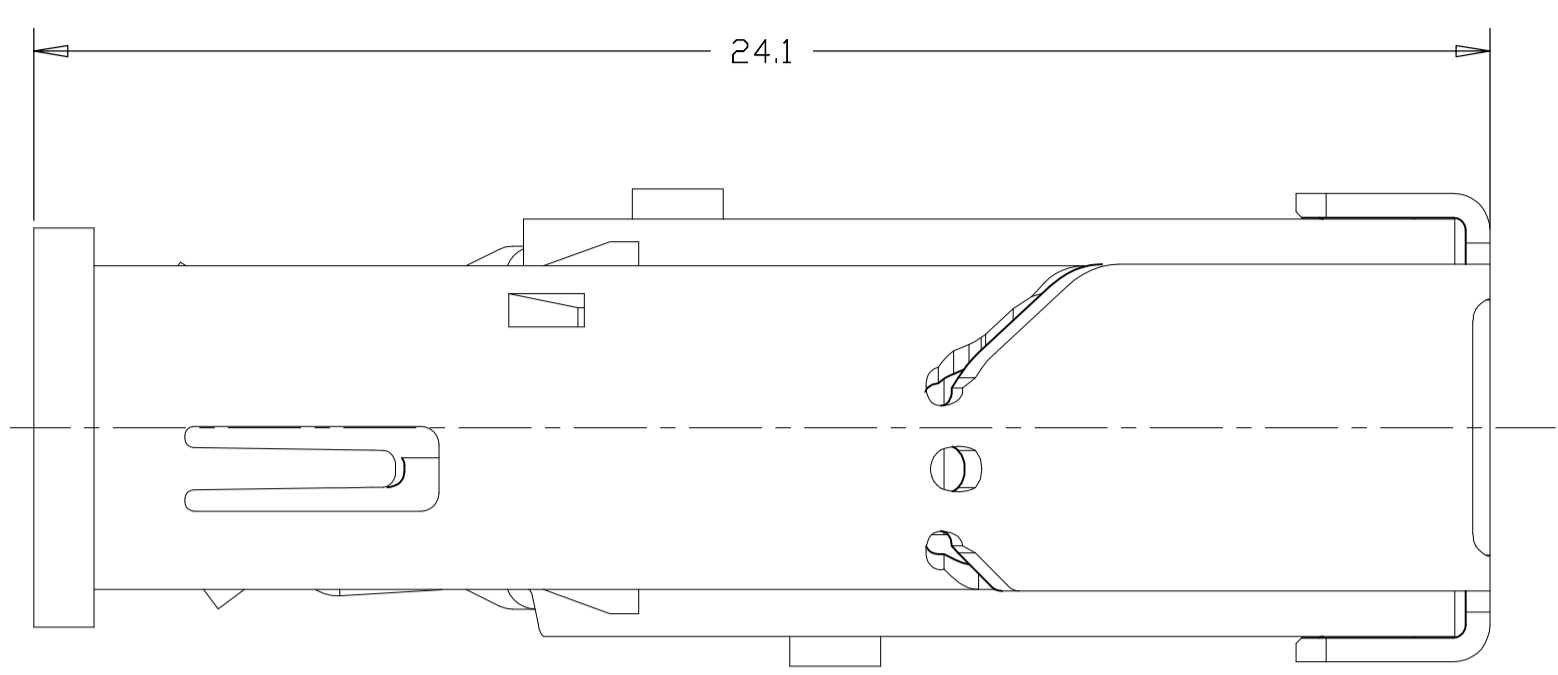
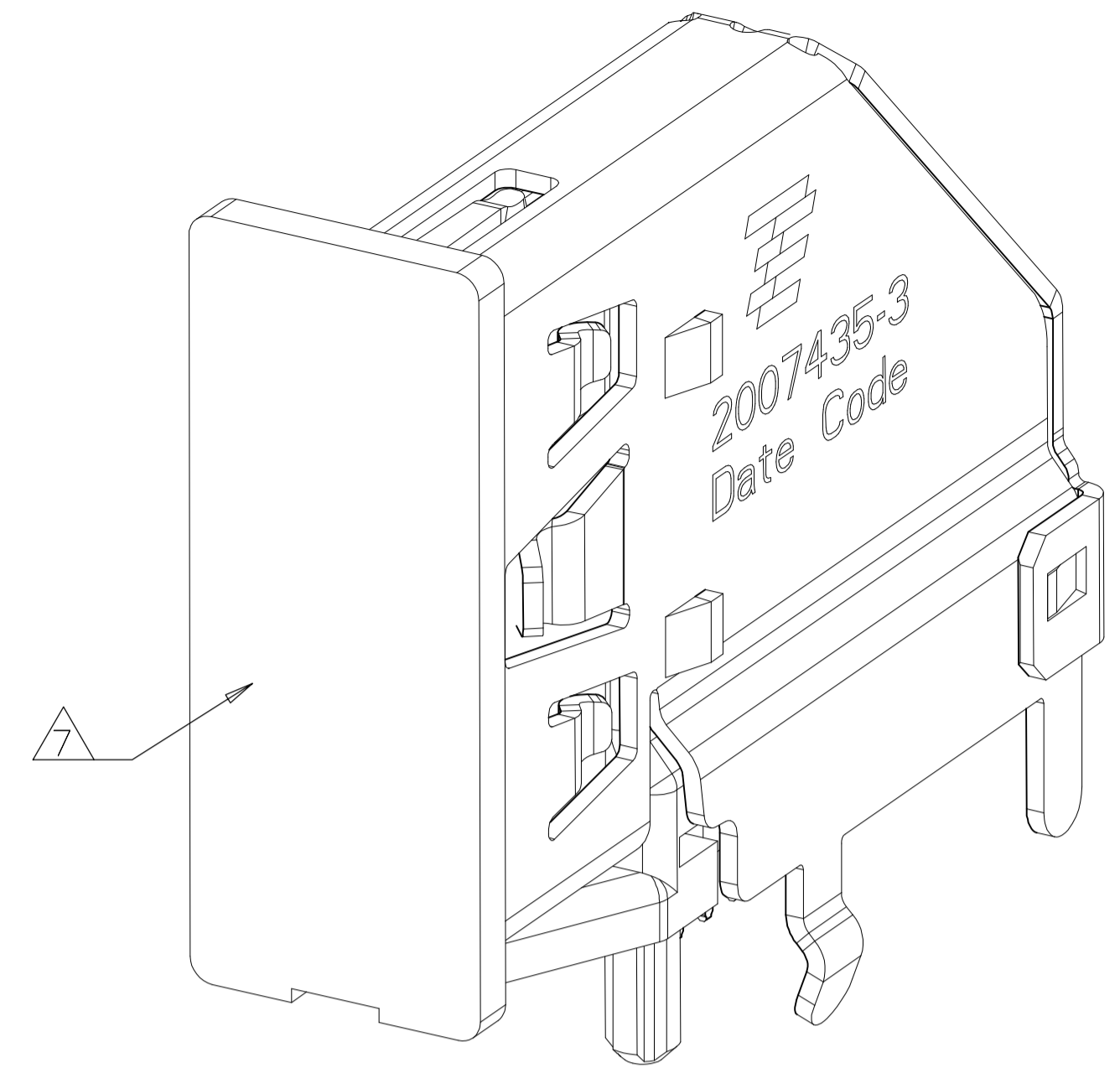


2007435-2
 INSTALLED CONDITION
 SCALE 6:1

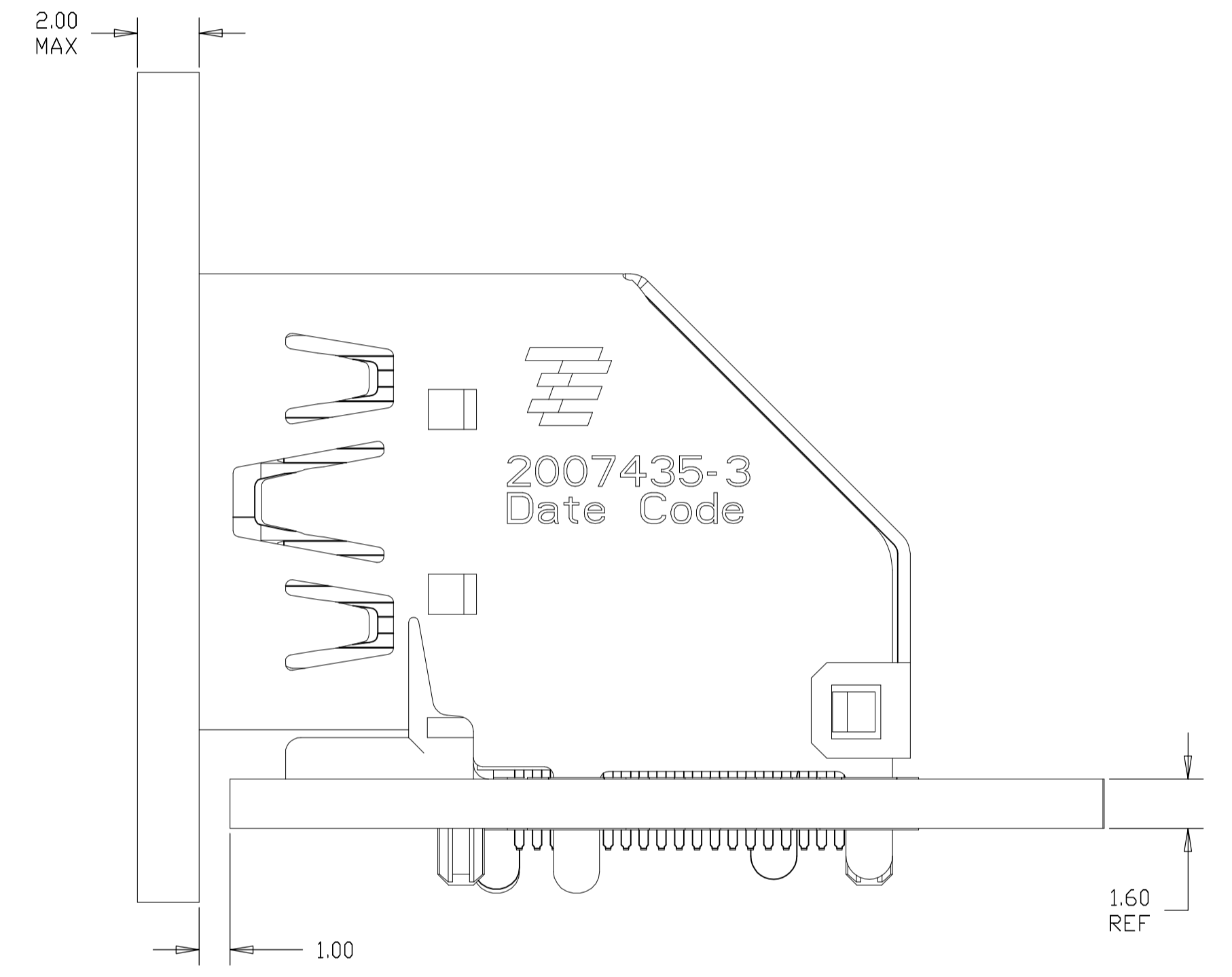
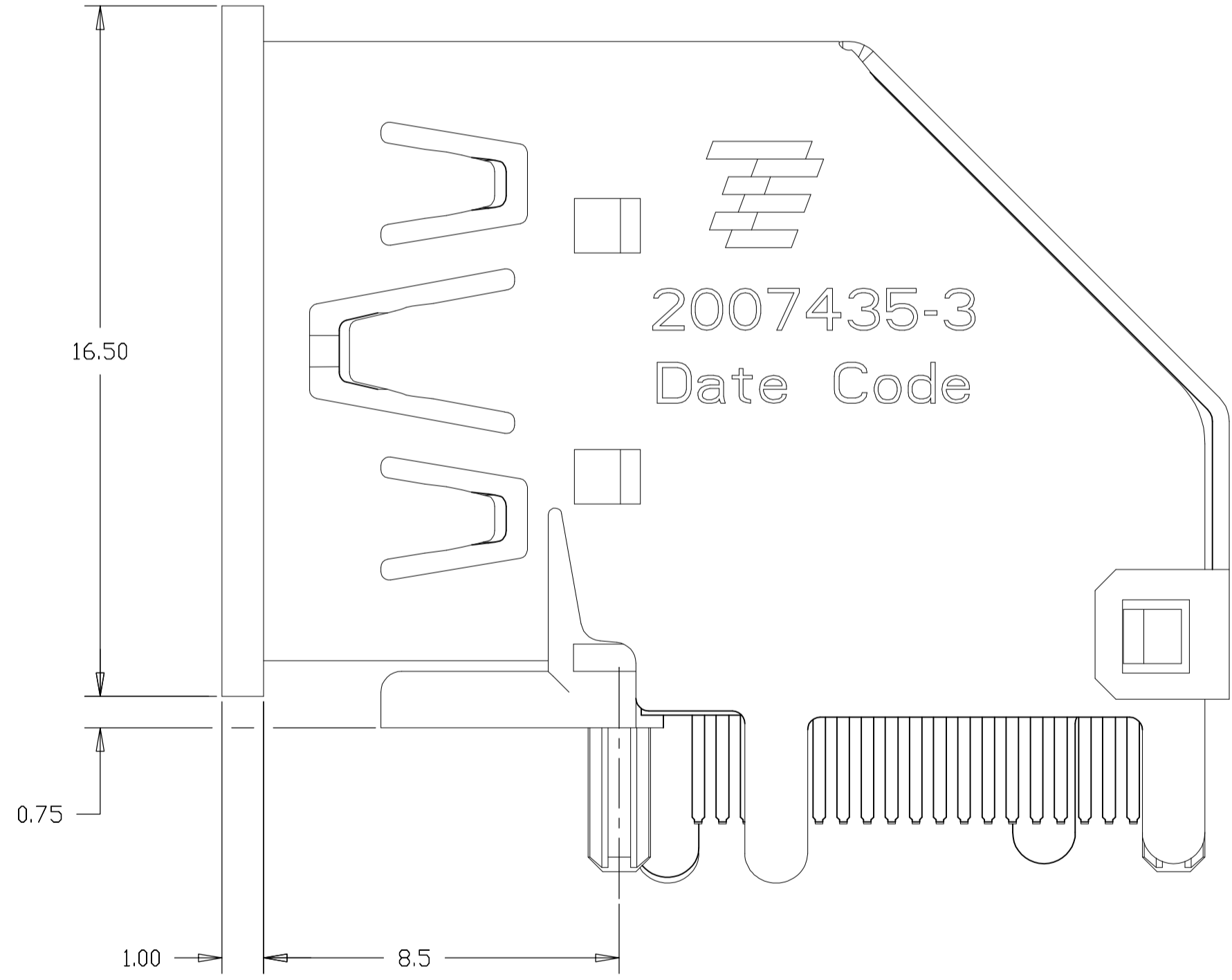
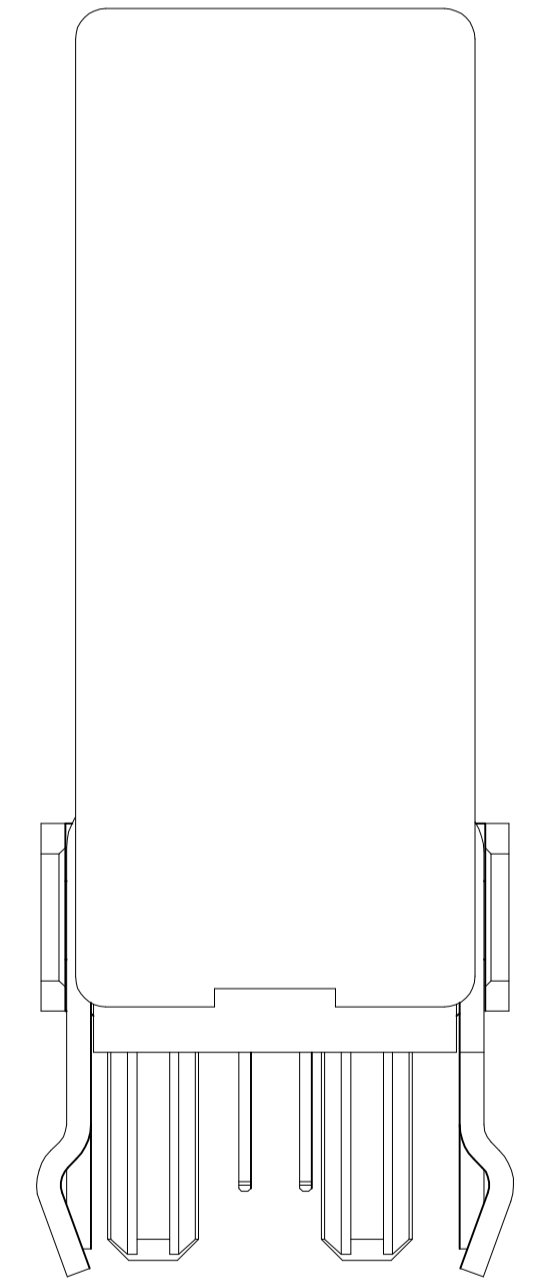


| | | | | | | | | | | | | | | | | | | | | | | | | | |
|-------------------------------------------------------------------------------------------------------------------------------------------------------------------------------------------------------------------------------------------------------------------------------------------------------------------------|---|----------------------------------------|---|-------------------------|--------|--------------------------------|-----|--------|---|------|--------|---|-------|--------|---|--------|--------|---|---|------|--|--------------|--|---------------|--|
| THIS DRAWING IS A CONTROLLED DOCUMENT. | | DIN | | STC | | TE Connectivity | | | | | | | | | | | | | | | | | | | |
| DIMENSIONS: mm | | TOLERANCES UNLESS OTHERWISE SPECIFIED: | | NAME | | HDMI FLAG CONNECTOR ASSEMBLY | | | | | | | | | | | | | | | | | | | |
| <table border="1"> <tr><td>0. PLC</td><td>±</td><td>-</td></tr> <tr><td>1. PLC</td><td>±</td><td>0.3</td></tr> <tr><td>2. PLC</td><td>±</td><td>0.25</td></tr> <tr><td>3. PLC</td><td>±</td><td>0.100</td></tr> <tr><td>4. PLC</td><td>±</td><td>0.1000</td></tr> <tr><td>ANGLES</td><td>±</td><td>-</td></tr> </table> | | 0. PLC | ± | - | 1. PLC | ± | 0.3 | 2. PLC | ± | 0.25 | 3. PLC | ± | 0.100 | 4. PLC | ± | 0.1000 | ANGLES | ± | - | APVD | | PRODUCT SPEC | | RESTRICTED TO | |
| 0. PLC | ± | - | | | | | | | | | | | | | | | | | | | | | | | |
| 1. PLC | ± | 0.3 | | | | | | | | | | | | | | | | | | | | | | | |
| 2. PLC | ± | 0.25 | | | | | | | | | | | | | | | | | | | | | | | |
| 3. PLC | ± | 0.100 | | | | | | | | | | | | | | | | | | | | | | | |
| 4. PLC | ± | 0.1000 | | | | | | | | | | | | | | | | | | | | | | | |
| ANGLES | ± | - | | | | | | | | | | | | | | | | | | | | | | | |
| MATERIAL SEE TABLE | | FINISH | | APPLICATION SPEC | | SCALE 8:1 SHEET 3 OF 10 REV D2 | | | | | | | | | | | | | | | | | | | |
| CUSTOMER DRAWING | | WEIGHT | | SIZE A1 00779 C=2007435 | | DRAWING NO. 2007435 | | | | | | | | | | | | | | | | | | | |

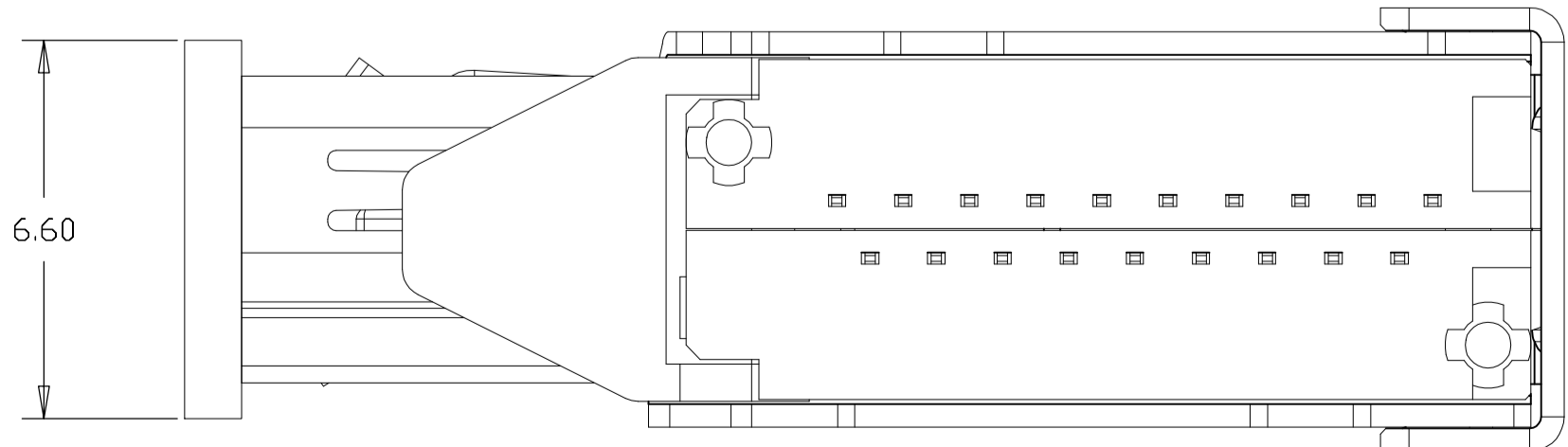
| LOC | | DIST | | REVISIONS | | | |
|-----|-----|-------------|------|-----------|------|---|---|
| P | LTR | DESCRIPTION | DATE | DN | APVD | | |
| - | - | SEE SHEET 1 | - | - | - | - | - |



2007435-3(-5) WITH CAP, UNMARKED
 DIMENSIONS SAME AS 2007435-1
 SCALE 6:1

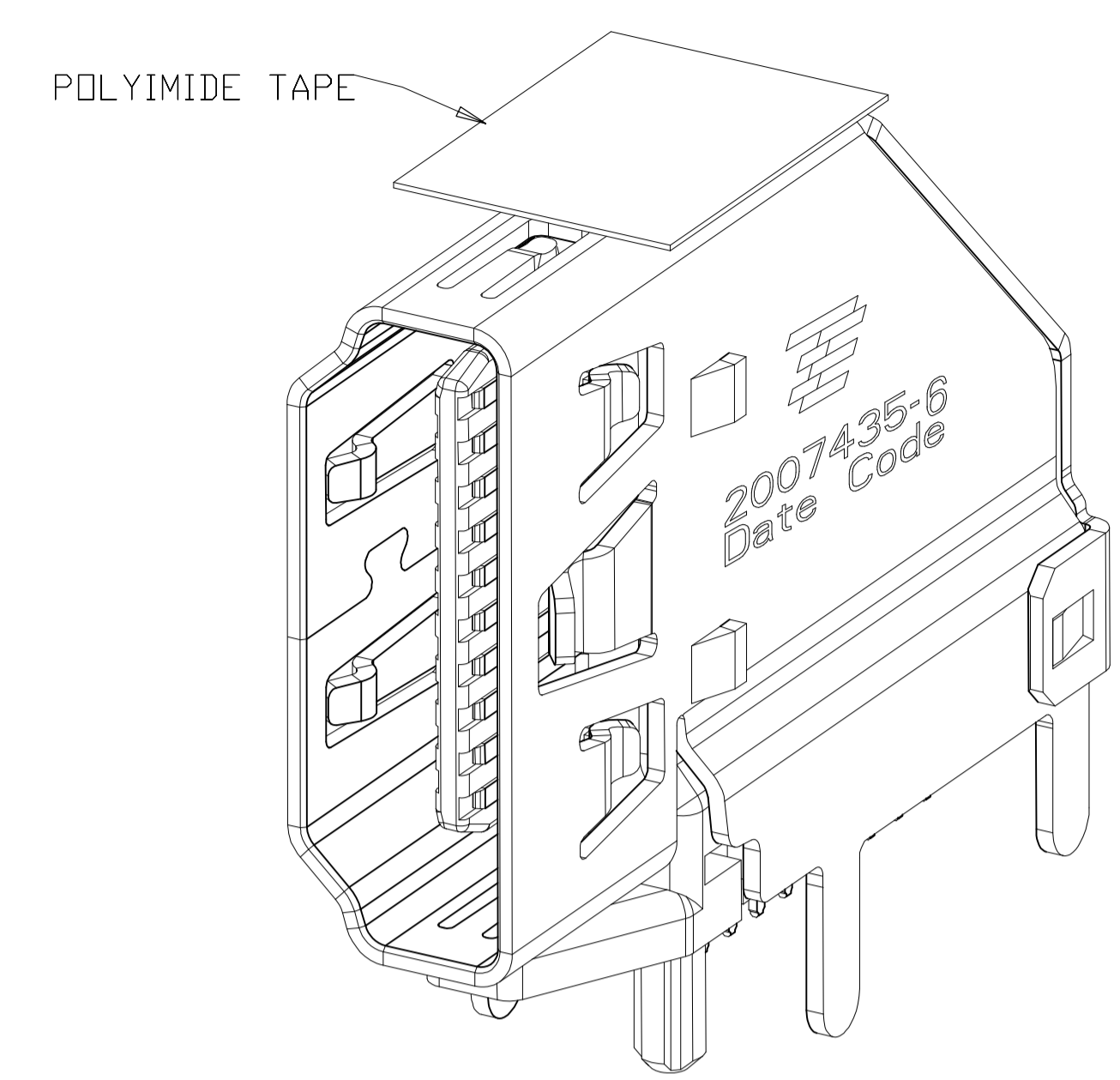
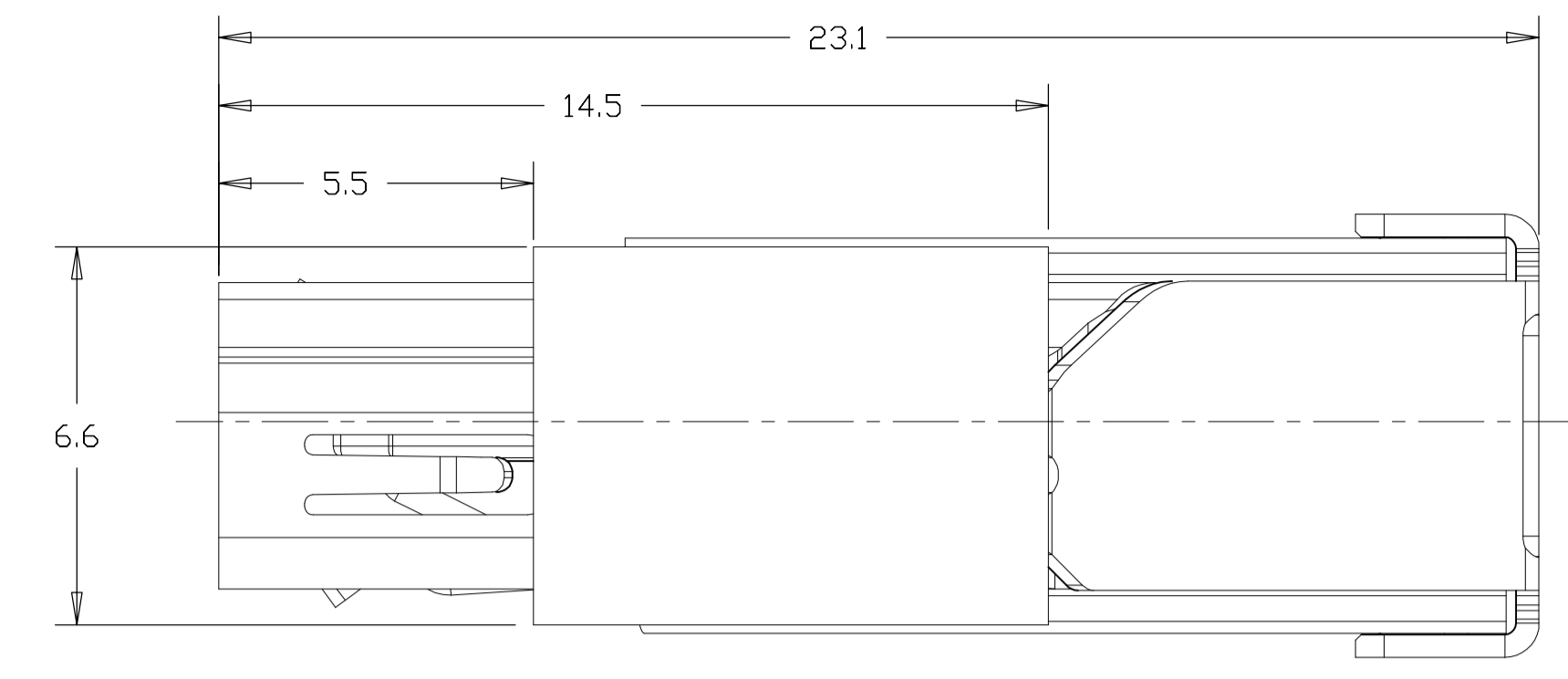


2007435-3(-5)
 INSTALLED CONDITION
 (ONLY FOR AFTER REMOVE CAP)
 SCALE 6:1

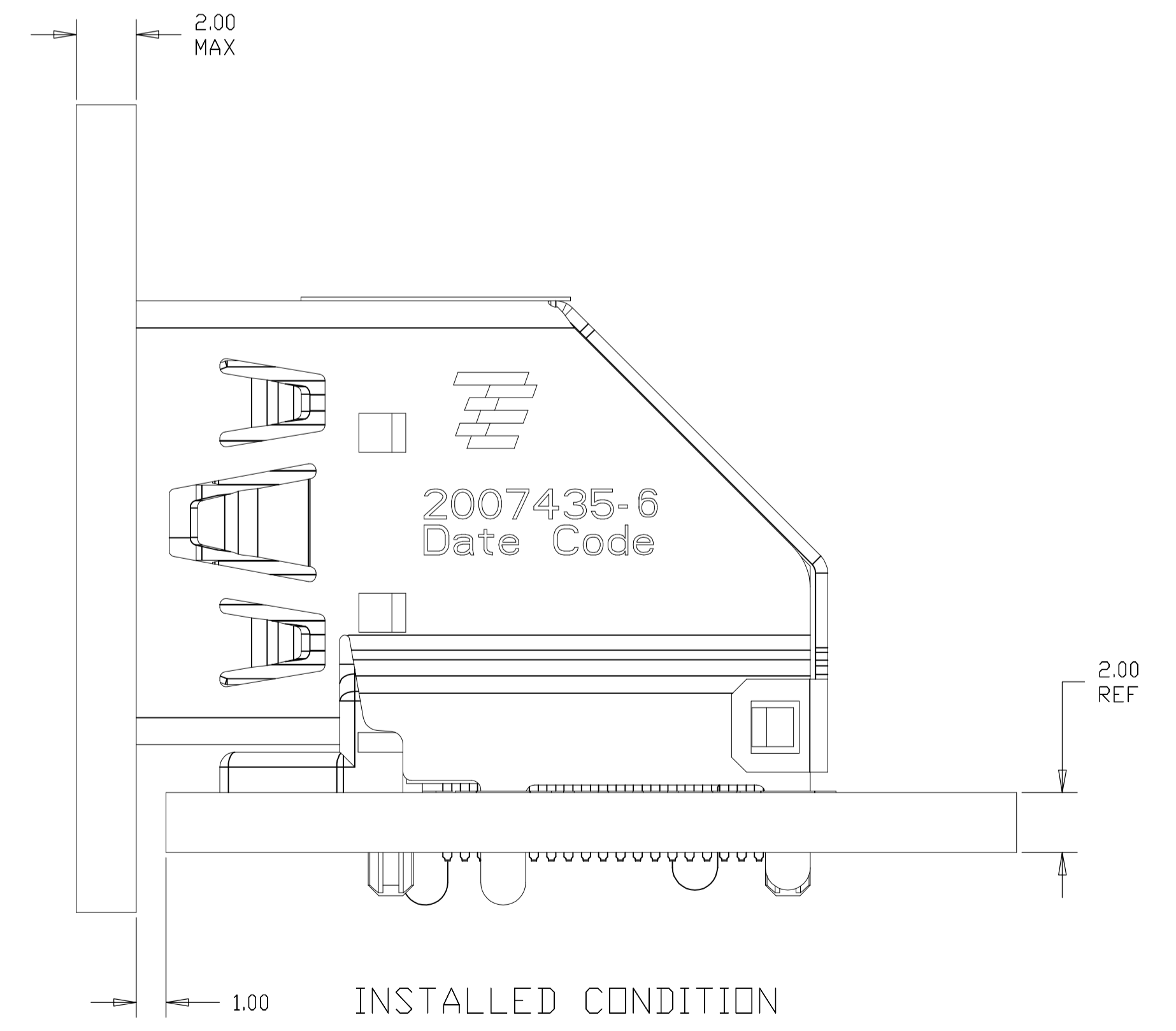
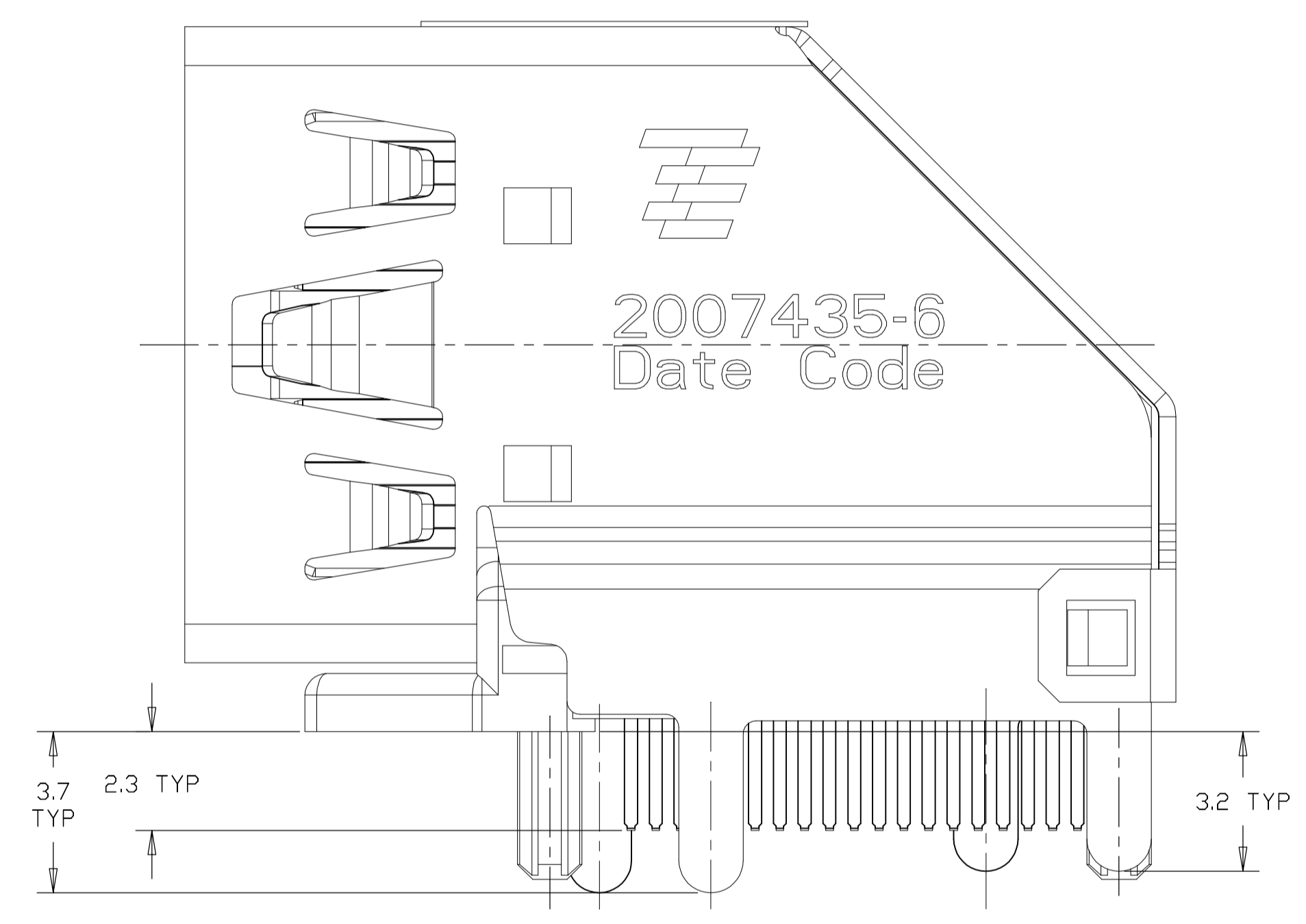
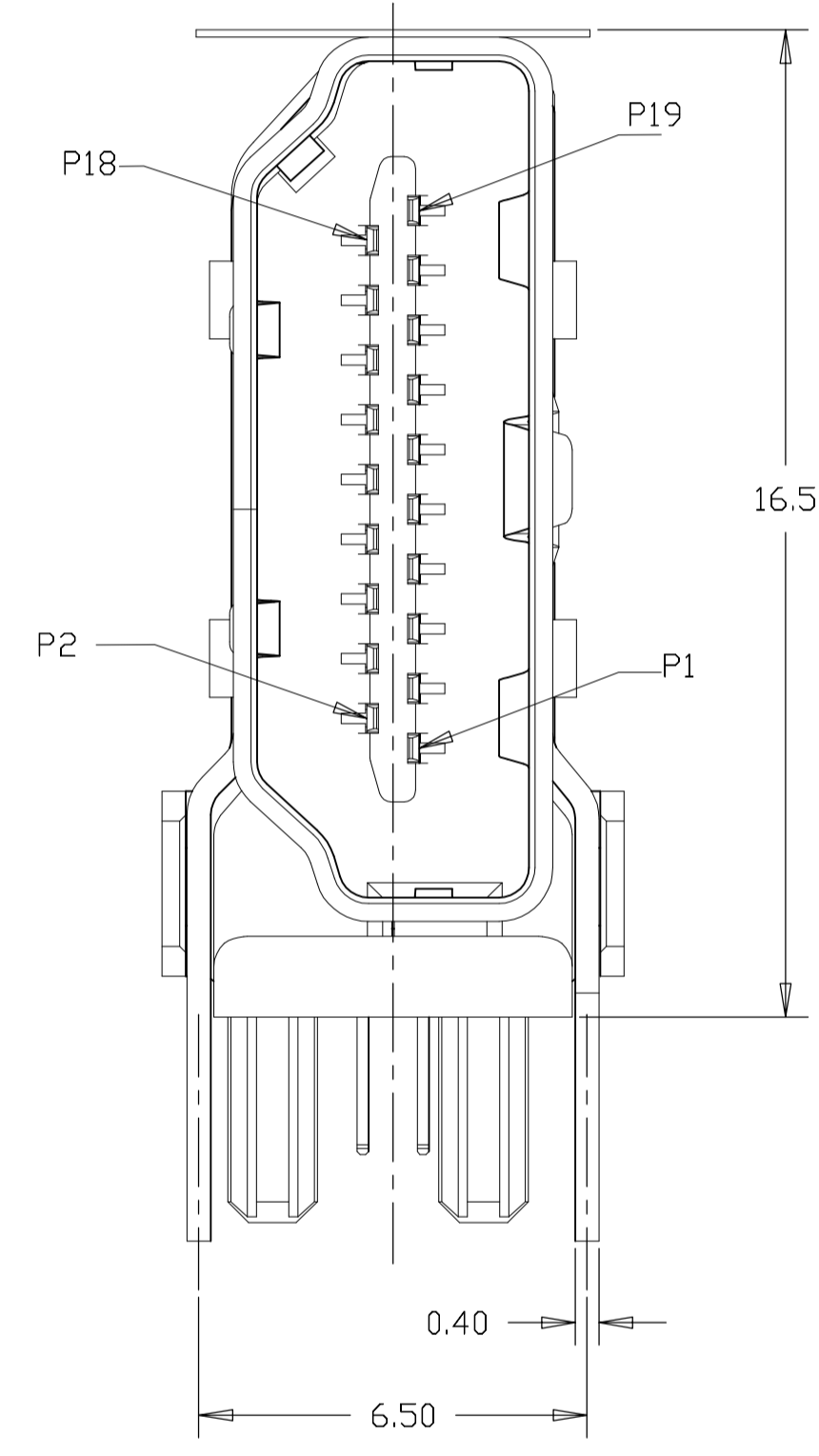


| | | | | | |
|------------------------------------------------------------------------------------------------------------------------------------------------------------------------------|--|----------------------------------------|--|--------------------------------|--|
| THIS DRAWING IS A CONTROLLED DOCUMENT. | | DIN | | STE TE Connectivity | |
| DIMENSIONS: mm | | TOLERANCES UNLESS OTHERWISE SPECIFIED: | | NAME | |
| <ul style="list-style-type: none"> 0. PLC ± 0.3 1. PLC ± 0.25 2. PLC ± 0.10 3. PLC ± 0.10 4. PLC ± 0.10 ANGLES ± | | APVD | | HDMI FLAG CONNECTOR ASSEMBLY | |
| MATERIAL SEE TABLE | | FINISH | | PRODUCT SPEC | |
| | | | | APPLICATION SPEC | |
| | | | | SIZE CAGE CODE DRAWING NO | |
| | | | | A1 00779 C=2007435 | |
| | | | | RESTRICTED TO | |
| | | | | CUSTOMER DRAWING | |
| | | | | SCALE 8:1 SHEET 4 OF 10 REV D2 | |

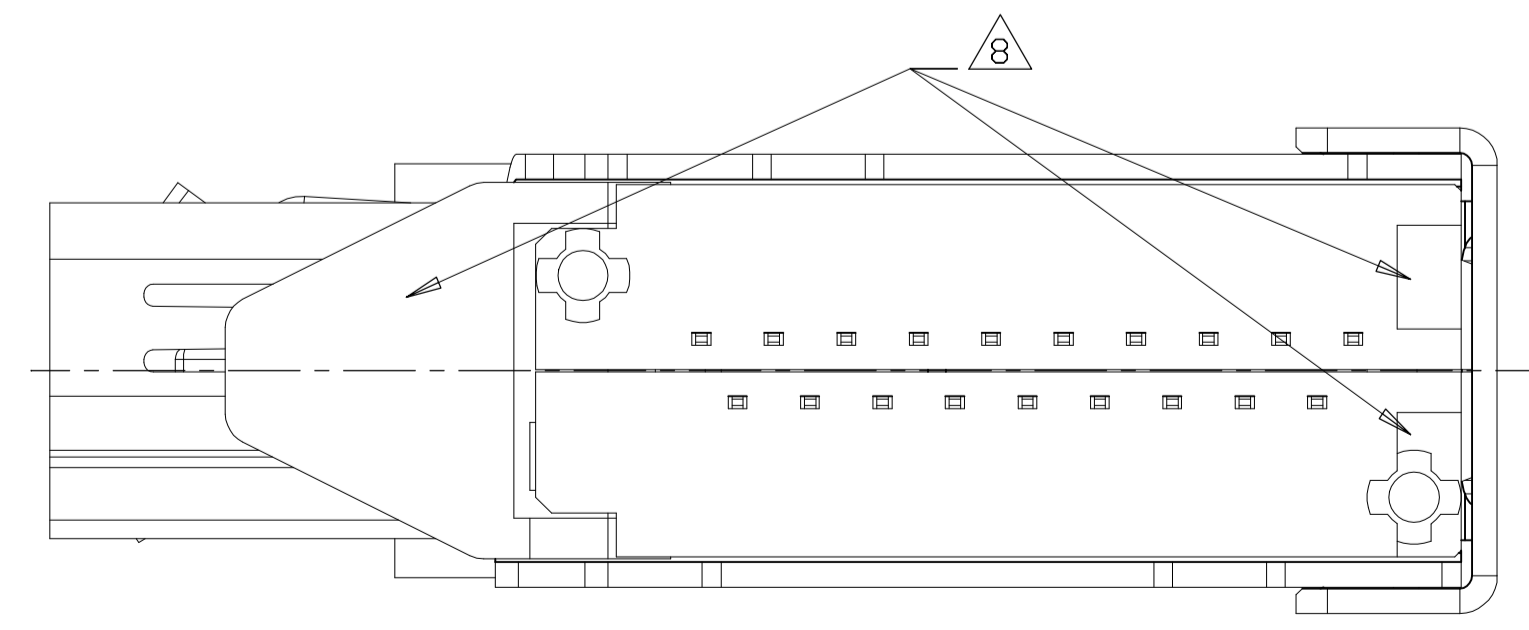
| LOC | | DIST | | REVISIONS | | | |
|-----|-----|-------------|------|-----------|------|--|--|
| P | LTR | DESCRIPTION | DATE | DNW | APVD | | |
| - | - | SEE SHEET 1 | - | - | - | | |



2007435-6 WITH POLYIMIDE TAPE,
UNMARKED DIMENSIONS SAME AS 2007435-1
SCALE 6:1

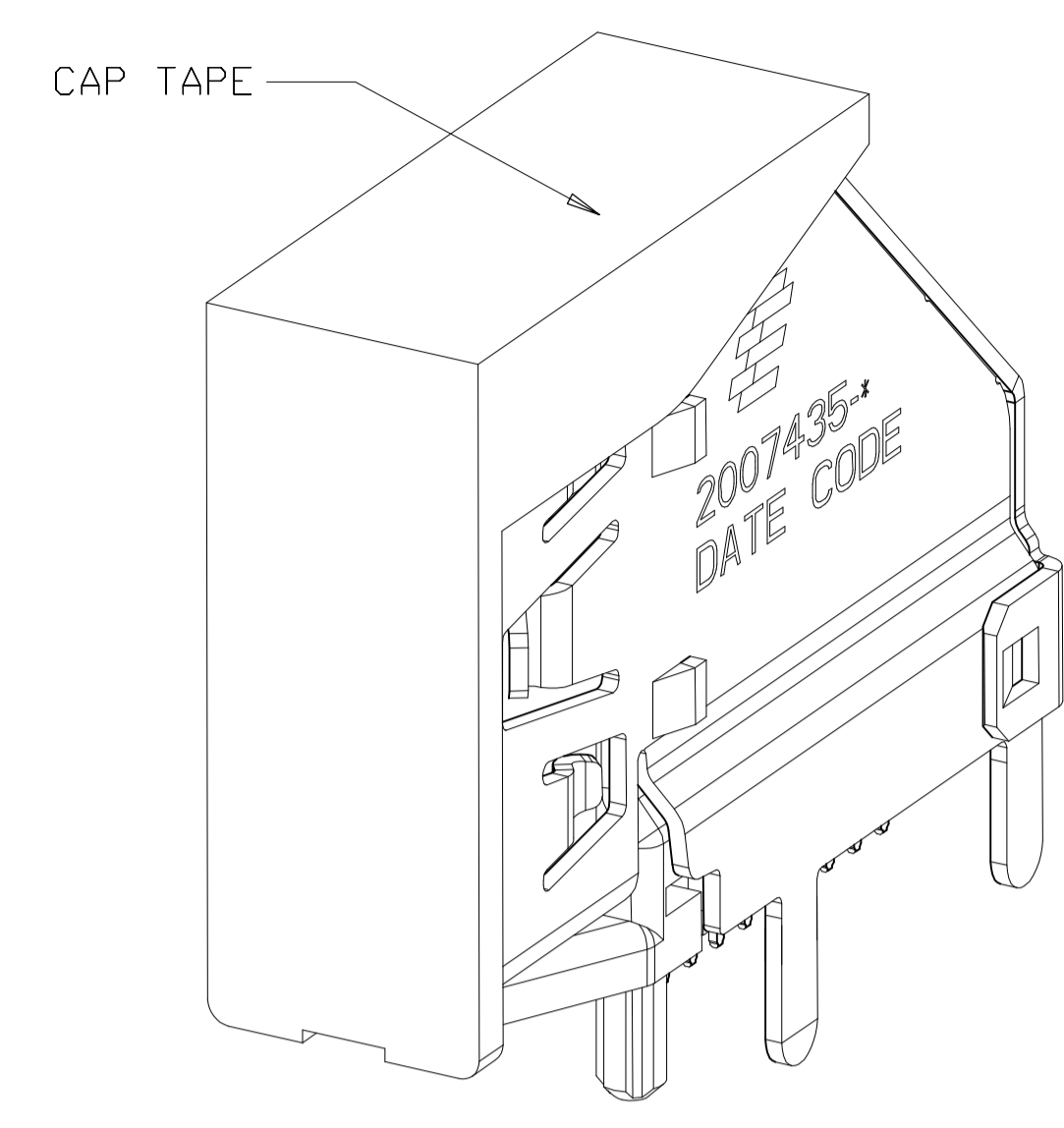
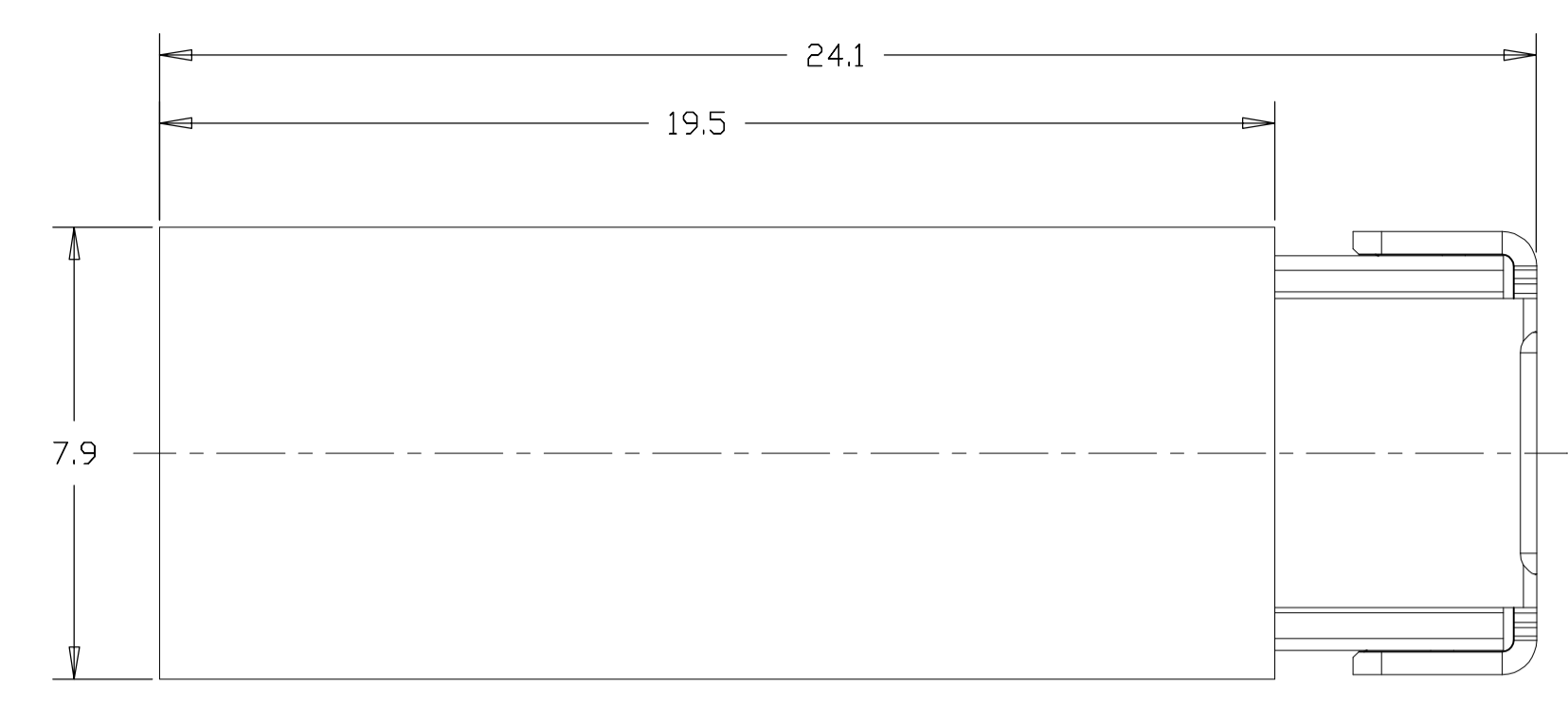


SCALE 6:1

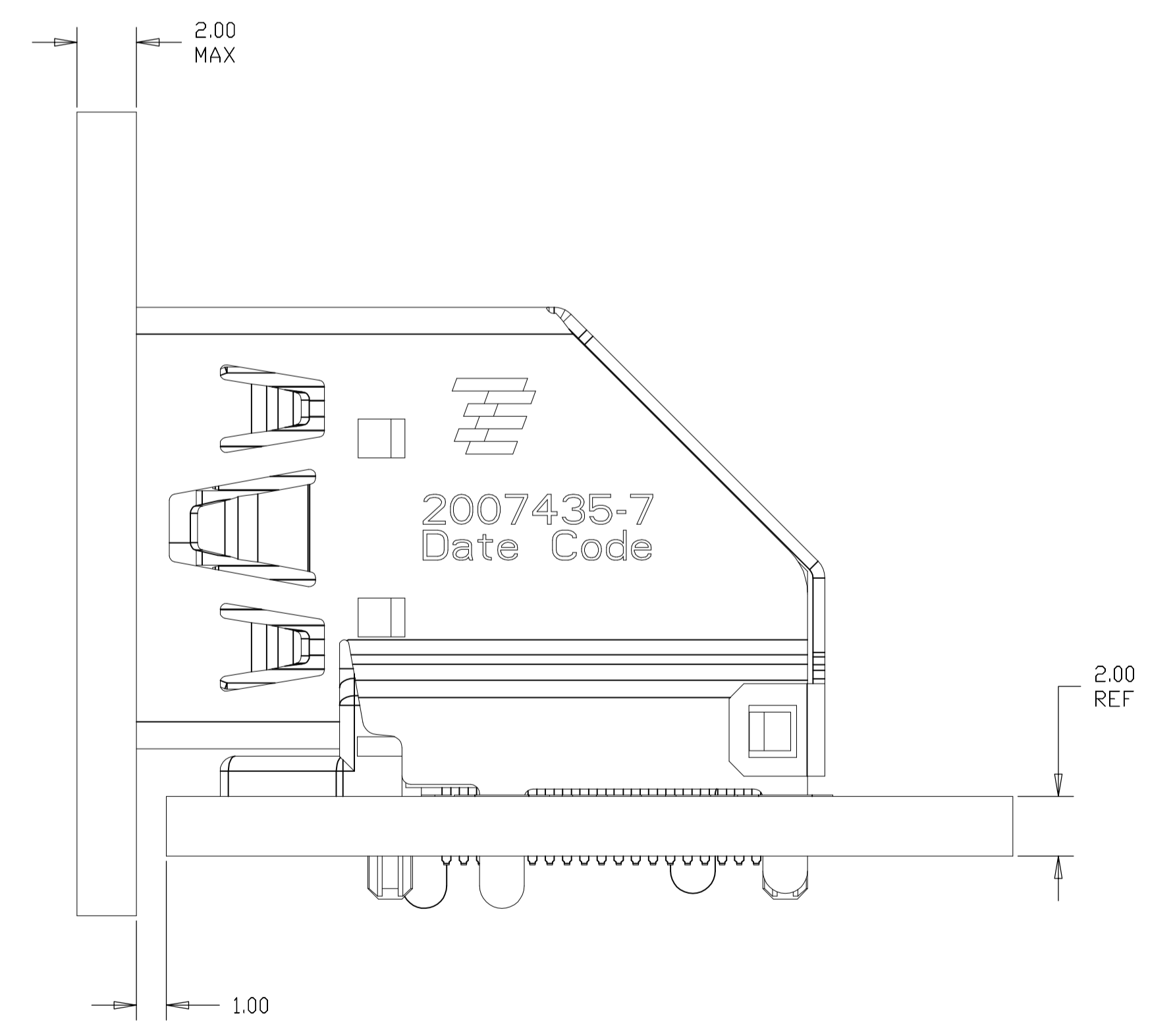
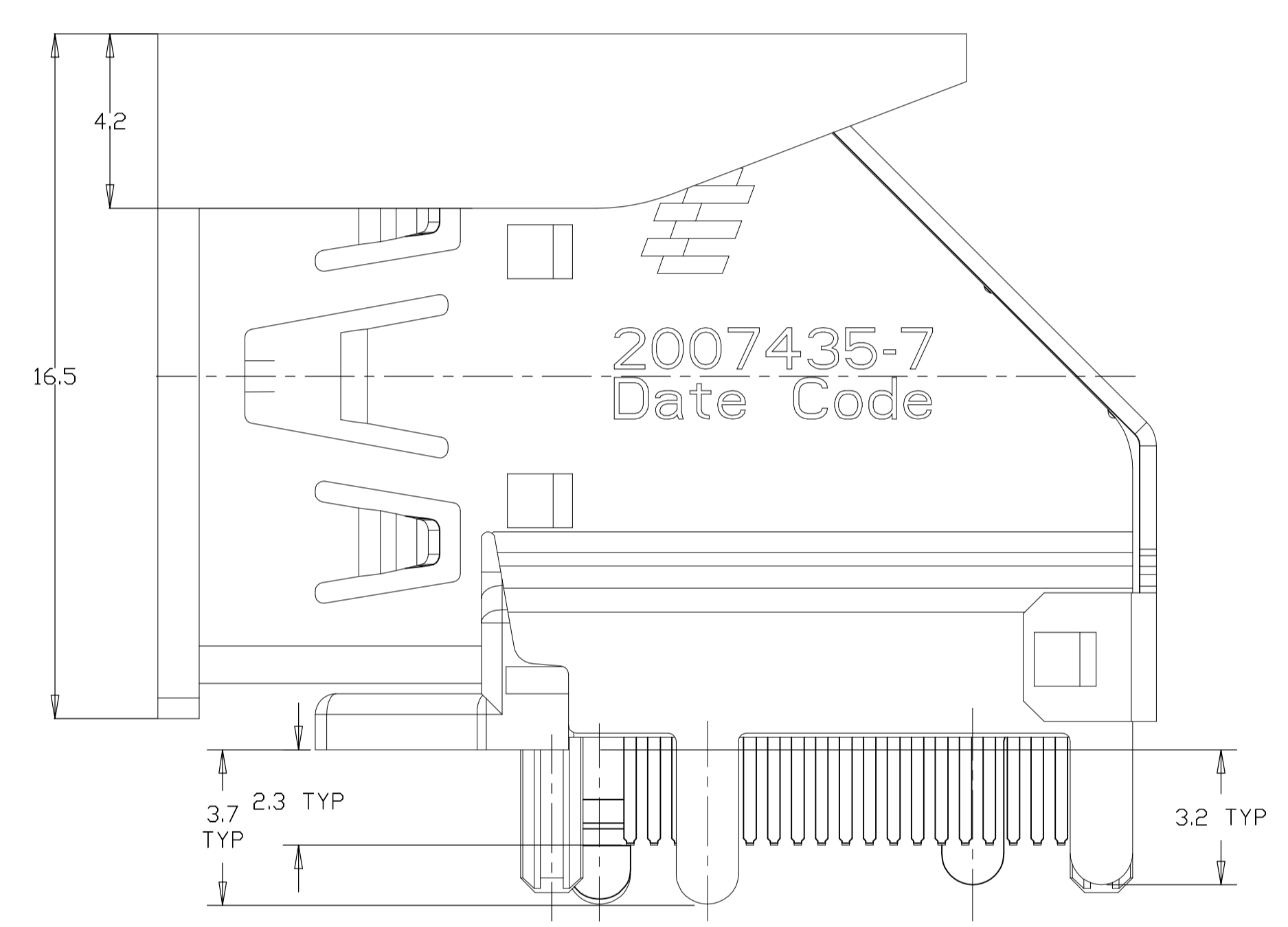
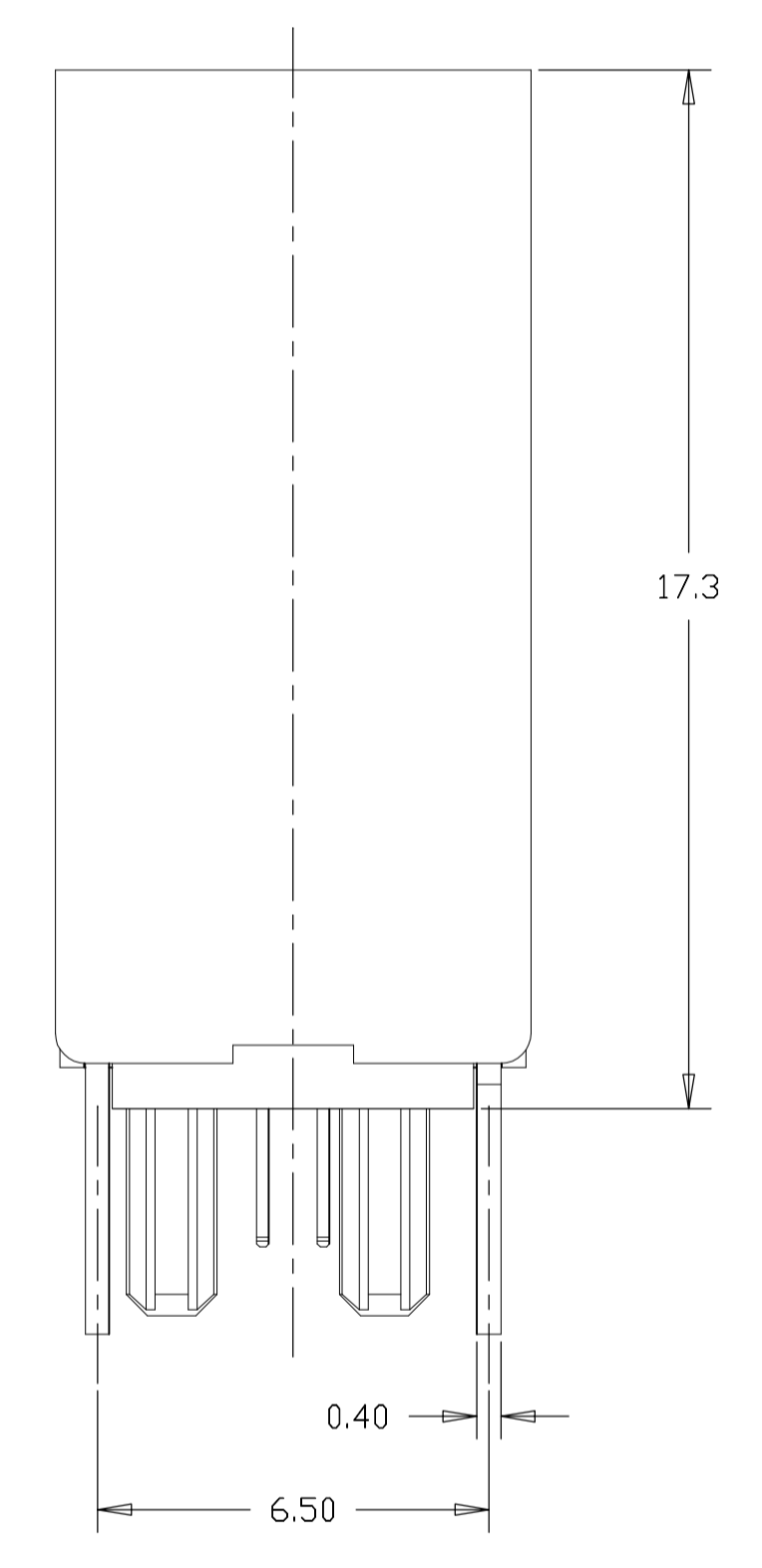


| | | | | |
|----------------------------------------|----------------------------------------|------------------|------------------------------|---------------|
| THIS DRAWING IS A CONTROLLED DOCUMENT. | | DIN | STE TE Connectivity | |
| DIMENSIONS: | TOLERANCES UNLESS OTHERWISE SPECIFIED: | CHK | NAME | |
| mm | 0. PLC ± 0.3 | APVD | HDMI FLAG CONNECTOR ASSEMBLY | |
| | 1. PLC ± 0.25 | PRODUCT SPEC | - | |
| | 2. PLC ± 0.10 | APPLICATION SPEC | - | |
| | 3. PLC ± 0.10 | SIZE | A1 | 00779 |
| | 4. PLC ± 0.10 | WEIGHT | - | - |
| MATERIAL | FINISH | RESTRICTED TO | CUSTOMER DRAWING | |
| SEE TABLE | 2 | SCALE | 8:1 | SHEET 5 OF 10 |

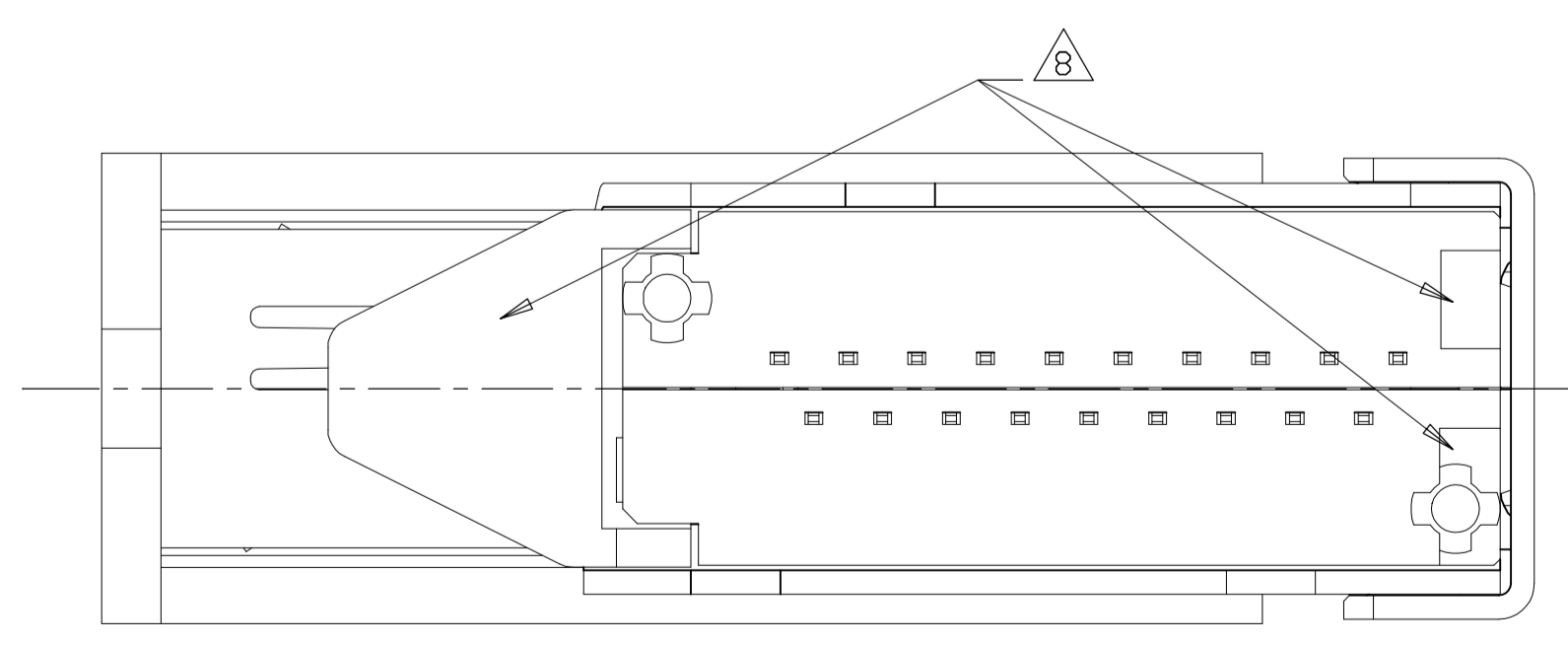
| REVISES | | DATE | OWN | APVD |
|---------|------|-------------|-----|------|
| LOC | DIST | DESCRIPTION | | |
| - | - | SEE SHEET 1 | - | - |



2007435-7 WITH CAP,
 UNMARKED DIMENSIONS SAME AS 2007435-1
 SCALE 6:1

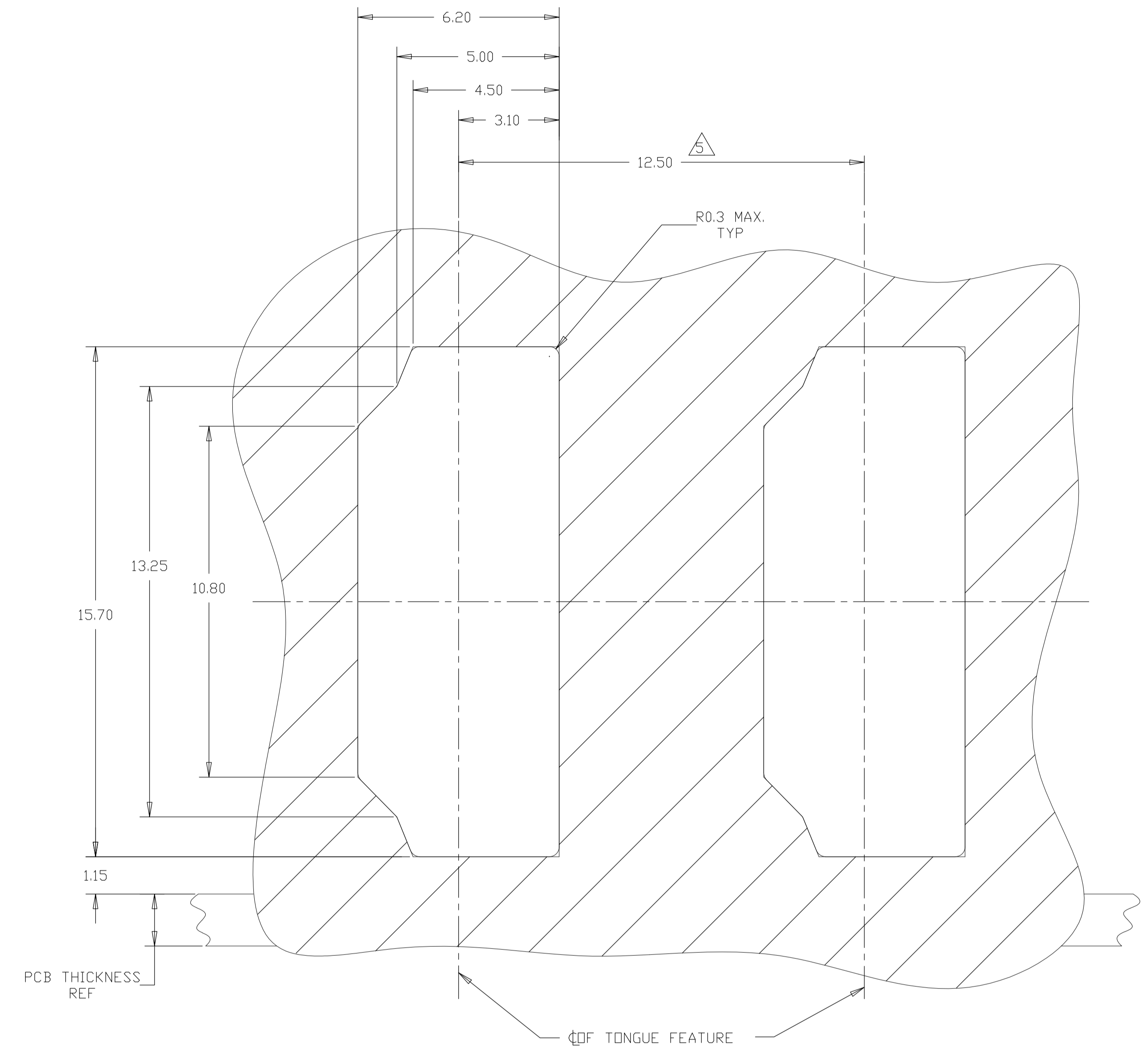
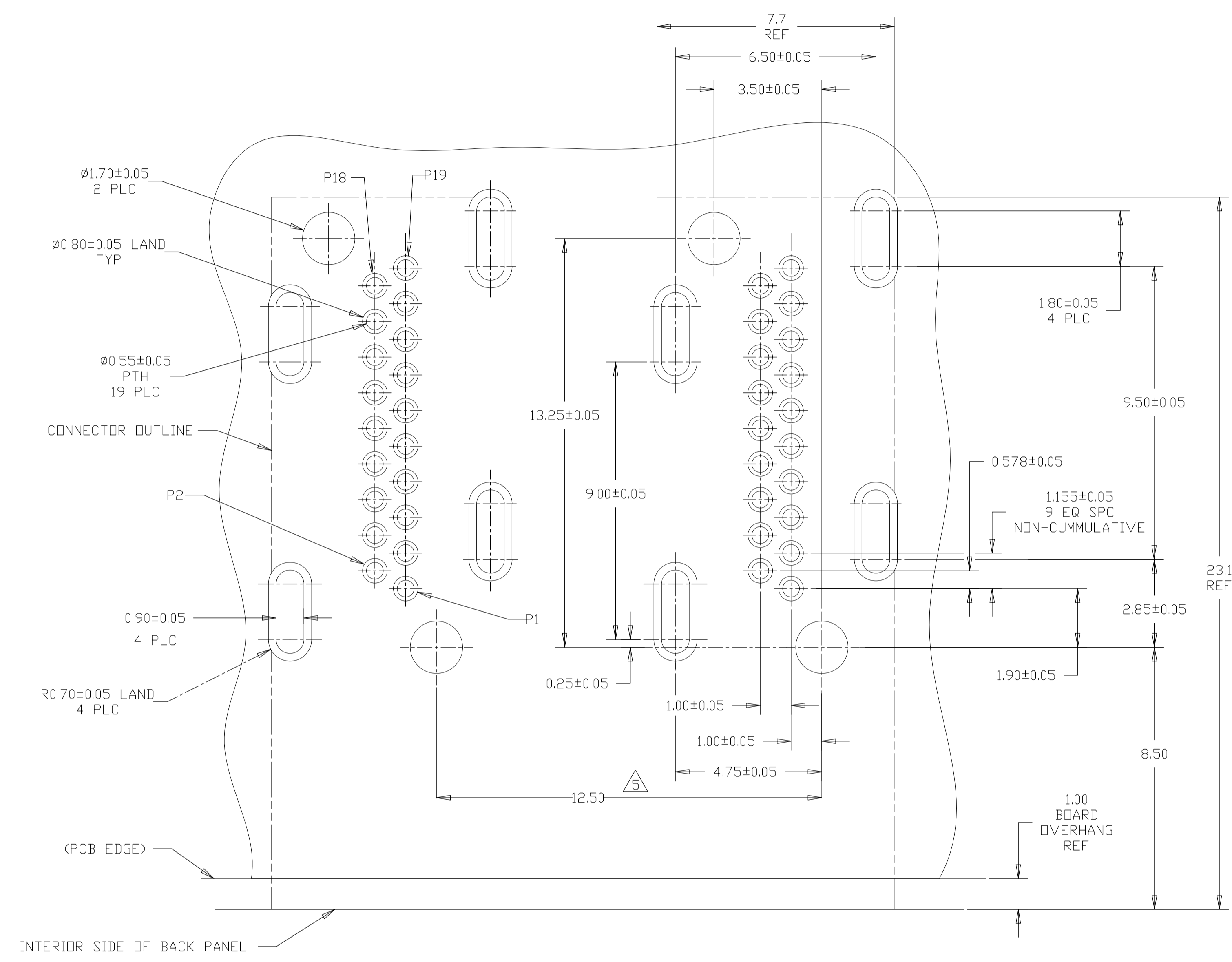


INSTALLED CONDITION
 (ONLY FOR AFTER REMOVE CAP)
 SCALE 6:1



| | | | | |
|----------------------------------------|--------|------------------|------------------------------|--|
| THIS DRAWING IS A CONTROLLED DOCUMENT. | | DWN | TE Connectivity | |
| DIMENSIONS: mm | | CHK | NAME | |
| TOLERANCES UNLESS OTHERWISE SPECIFIED: | | APVD | HDMI FLAG CONNECTOR ASSEMBLY | |
| 0 PLC | ± 0.3 | PRODUCT SPEC | - | |
| 1 PLC | ± 0.25 | APPLICATION SPEC | - | |
| 2 PLC | ± 0.10 | WEIGHT | - | |
| 3 PLC | ± 0.10 | CUSTOMER DRAWING | - | |
| 4 PLC | ± 0.10 | SCALE | 8:1 | |
| ANGLES | ± | SHEET | 6 OF 10 | |
| MATERIAL SEE TABLE | FINISH | REV | D2 | |

| LOC | | DIST | | REVISIONS | | | |
|-----|-----|-------------|------|-----------|------|---|---|
| P | LTR | DESCRIPTION | DATE | DNW | APVD | | |
| - | - | SEE SHEET 1 | - | - | - | - | - |

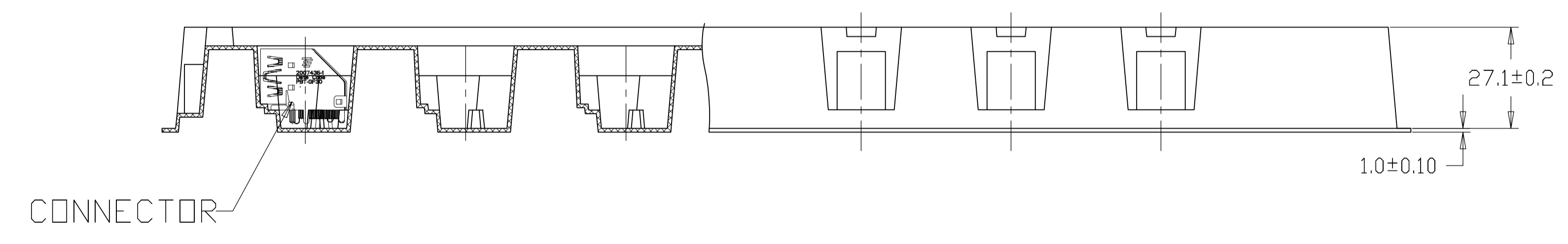
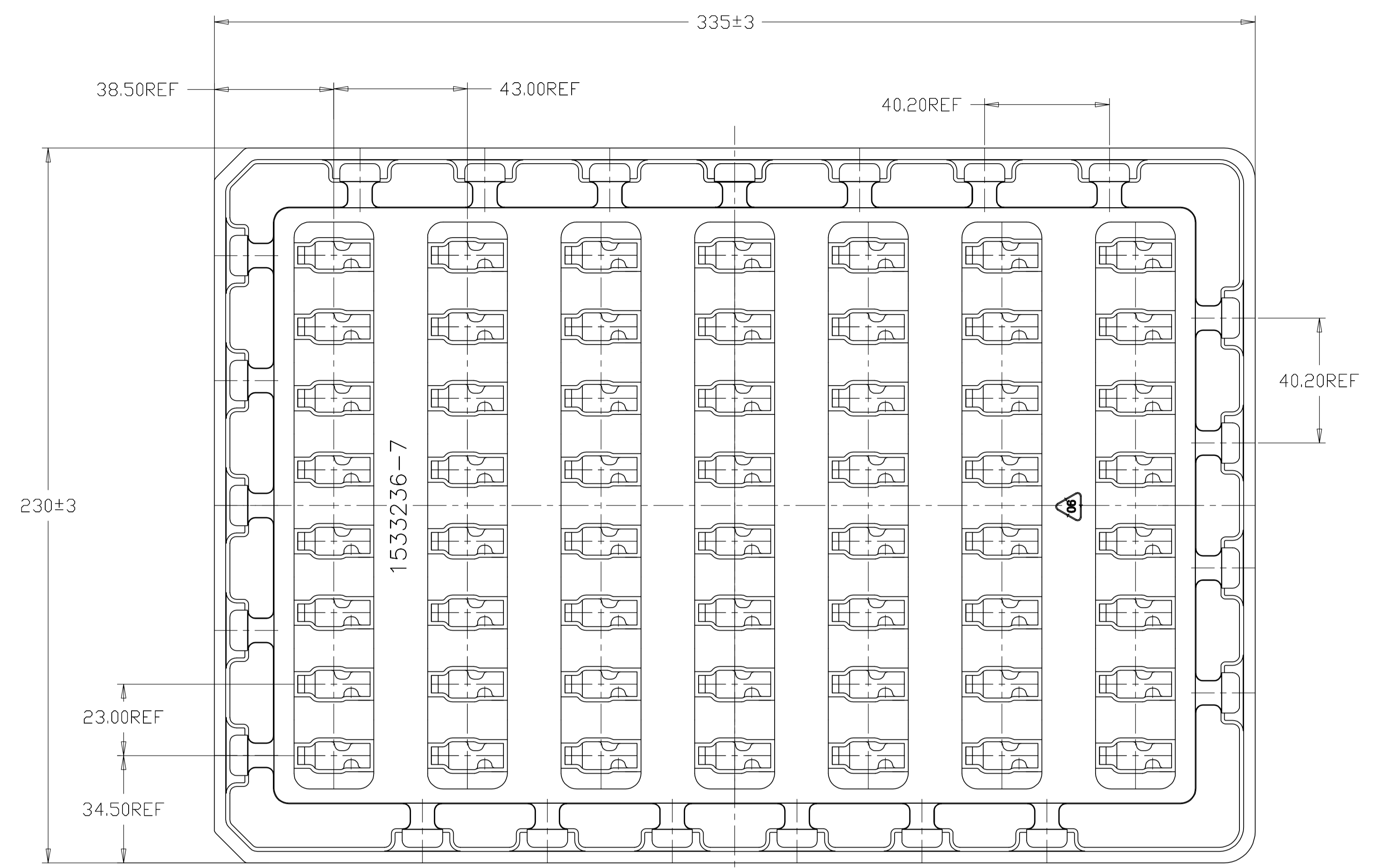


PCB LAYOUT SCALE 10:1

RECOMMENDED PANEL CUTOUT SCALE 10:1

| | | | | | |
|---------------------------------------------------------------------------------------------------------------------------------------------------------------------------|--|----------------------------------------|--|--------------------------------|--|
| THIS DRAWING IS A CONTROLLED DOCUMENT. | | DIN | | TE Connectivity | |
| DIMENSIONS: mm | | TOLERANCES UNLESS OTHERWISE SPECIFIED: | | NAME | |
| <ul style="list-style-type: none"> 0 PLC ± - 1 PLC ± 0.1 2 PLC ± 0.10 3 PLC ± 0.100 4 PLC ± 0.1000 ANGLES ± - | | APVD | | HDMI FLAG CONNECTOR ASSEMBLY | |
| MATERIAL | | FINISH | | PRODUCT SPEC | |
| | | | | APPLICATION SPEC | |
| | | | | SIZE CAGE CODE DRAWING NO | |
| | | | | A1 00779 C=2007435 | |
| | | | | RESTRICTED TO | |
| | | | | CUSTOMER DRAWING | |
| | | | | SCALE 8:1 SHEET 7 OF 10 REV D2 | |

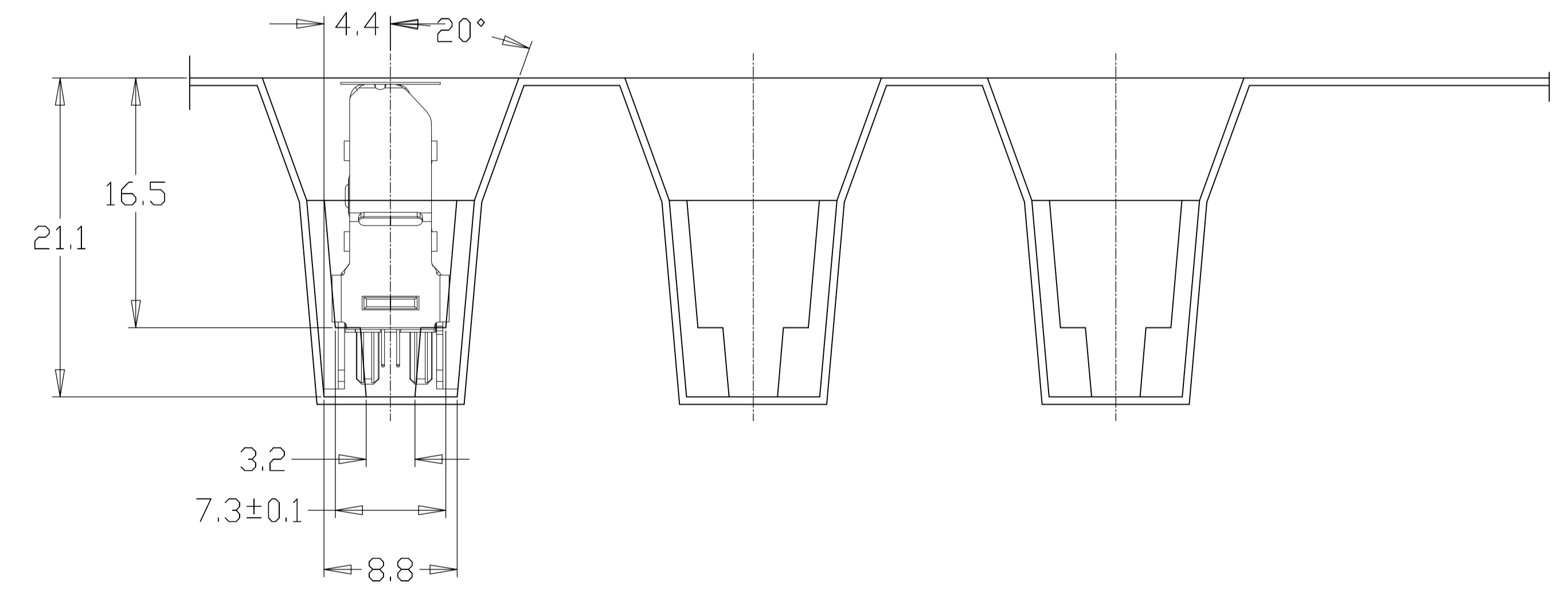
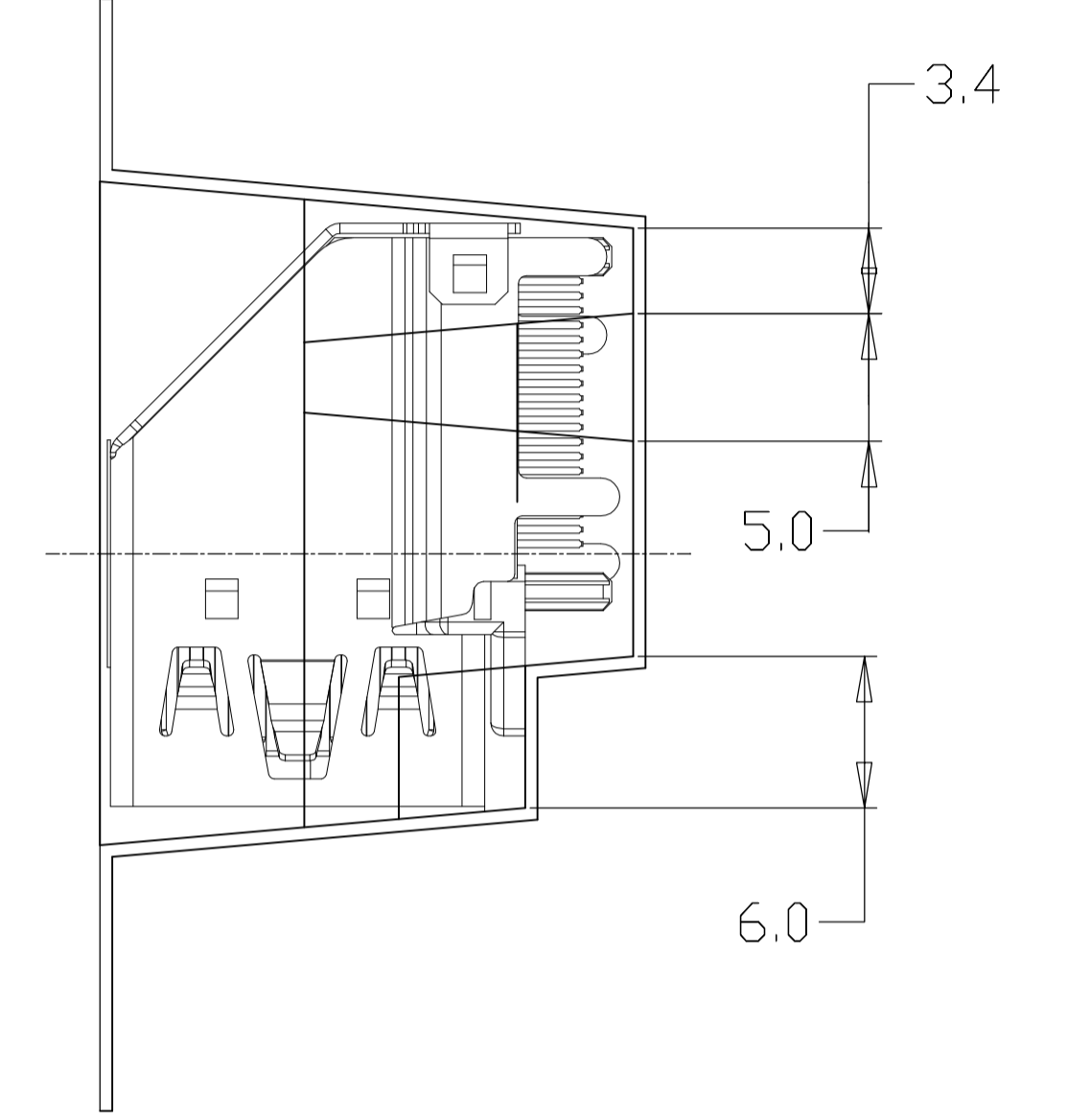
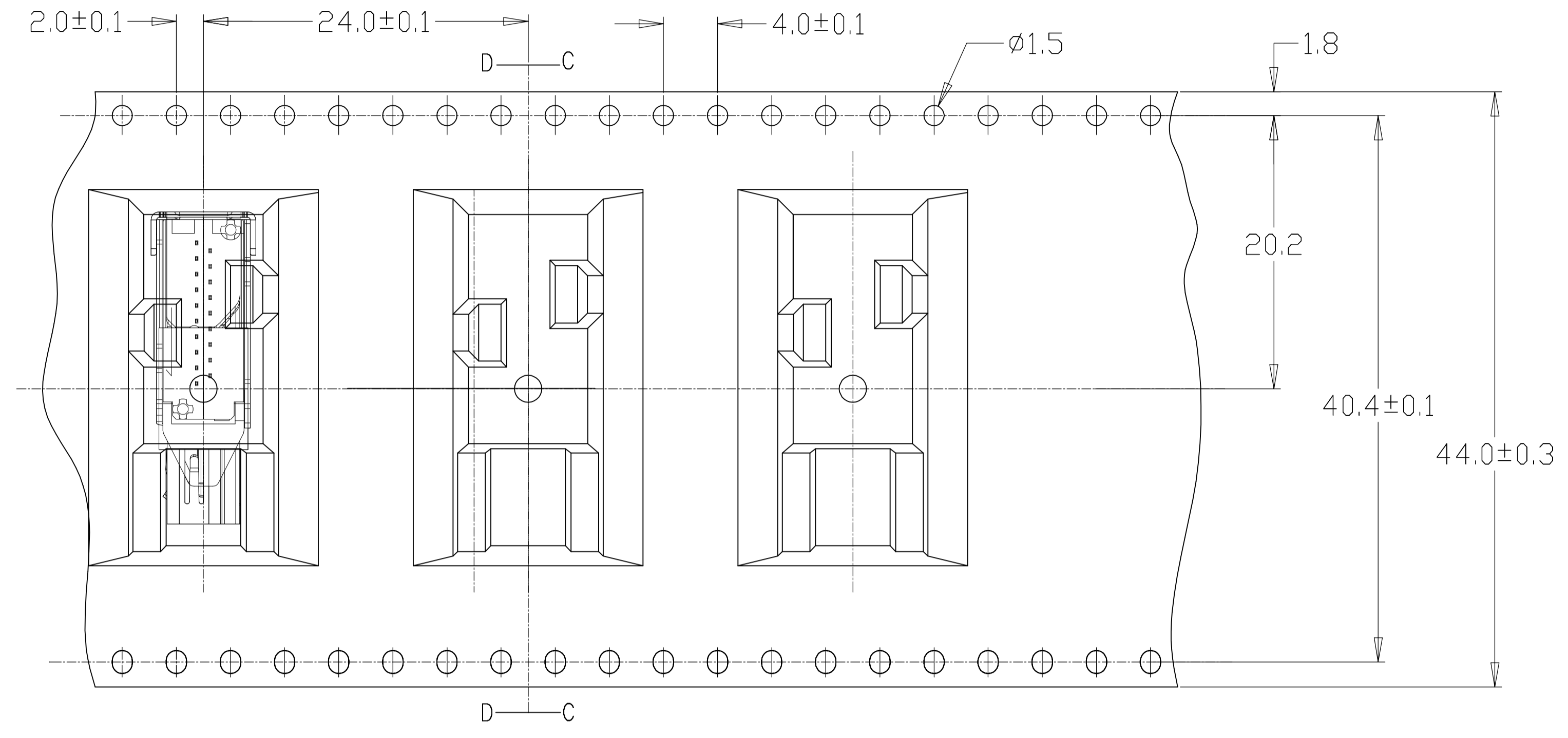
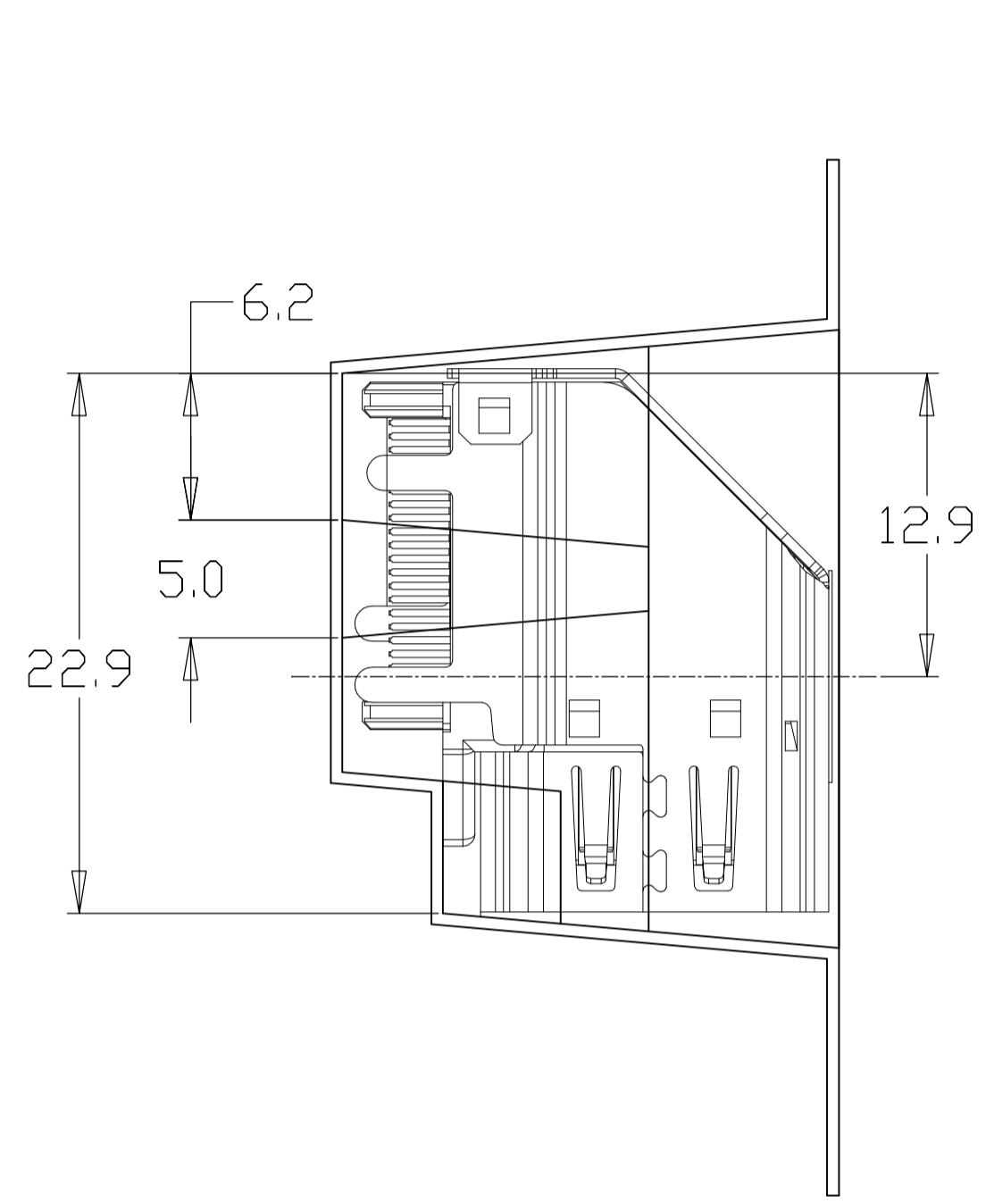
| LOC | | DIST | | REVISIONS | | | |
|-----|-----|-------------|------|-----------|------|---|---|
| P | LTR | DESCRIPTION | DATE | DN | APVD | | |
| - | - | SEE SHEET 1 | - | - | - | - | - |



PACKAGE TRAY
FOR PART NUMBER
2007435-1,-2,-3,-4,-5
2-2007435-1

| | | | | | |
|----------------------------------------|--|------------------|--|------------------------------------------|--|
| THIS DRAWING IS A CONTROLLED DOCUMENT. | | DIN | | TE Connectivity | |
| DIMENSIONS: mm | | CHK | | | |
| TOLERANCES UNLESS OTHERWISE SPECIFIED: | | APVD | | NAME | |
| 0. PLC ± .1 | | PRODUCT SPEC | | HDMI FLAG CONNECTOR ASSEMBLY | |
| 1. PLC ± .1 | | APPLICATION SPEC | | - | |
| 2. PLC ± .1 | | WEIGHT | | SIZE CAGE CODE DRAWING NO. RESTRICTED TO | |
| 3. PLC ± .1 | | - | | A1 00779 C=2007435 | |
| 4. PLC ± .1 | | CUSTOMER DRAWING | | SCALE N/A SHEET 8 OF 10 REV D2 | |
| ANGLES ± .1 | | | | | |
| FINISH | | | | | |

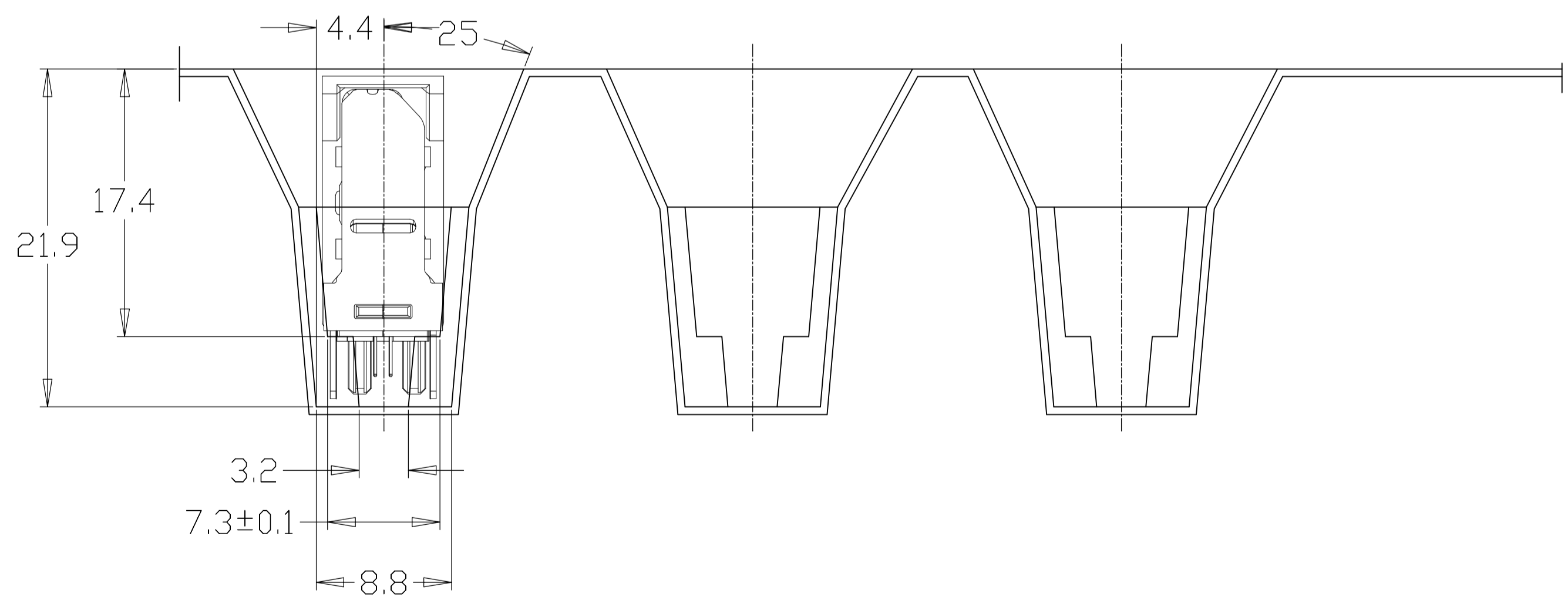
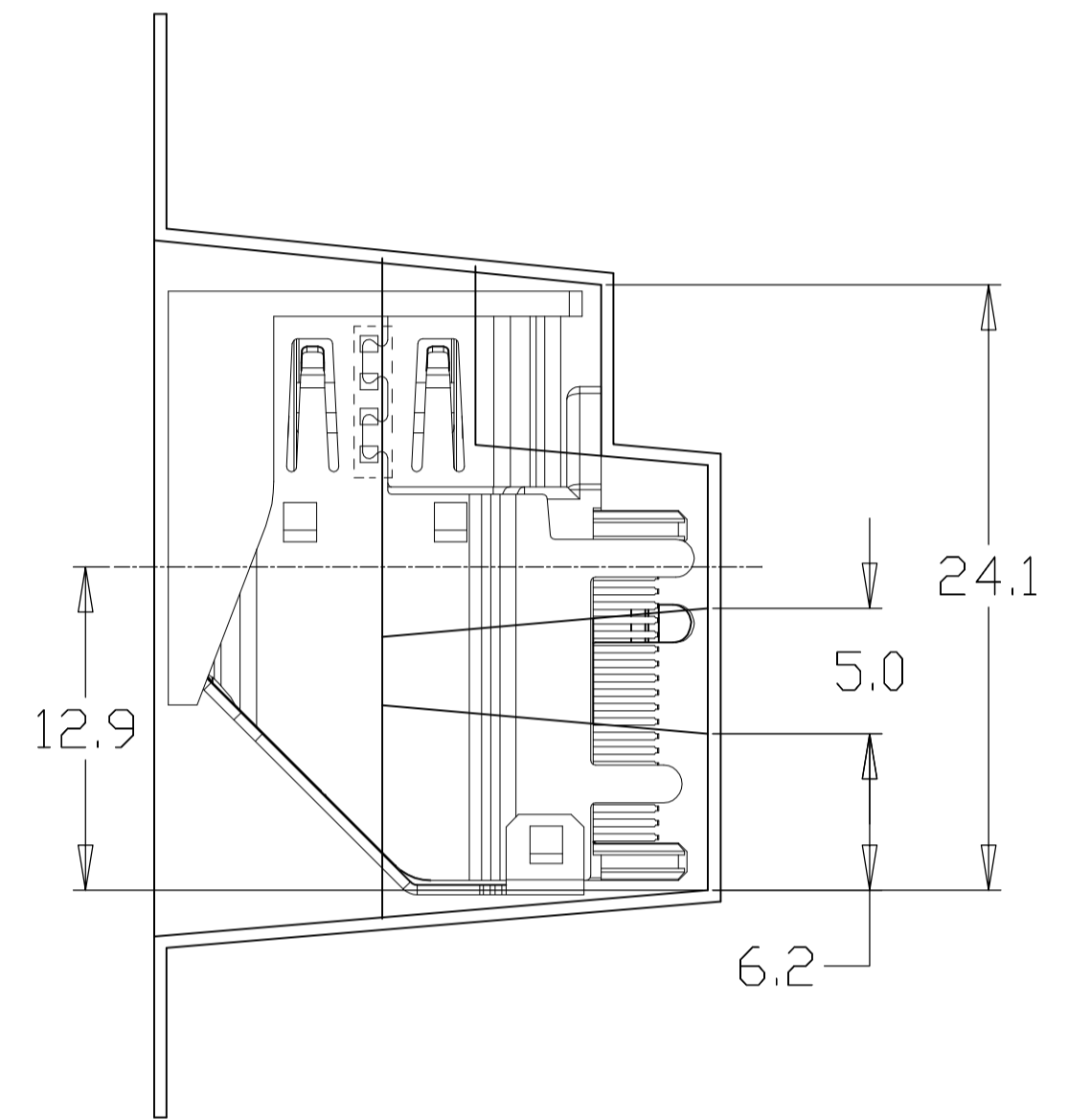
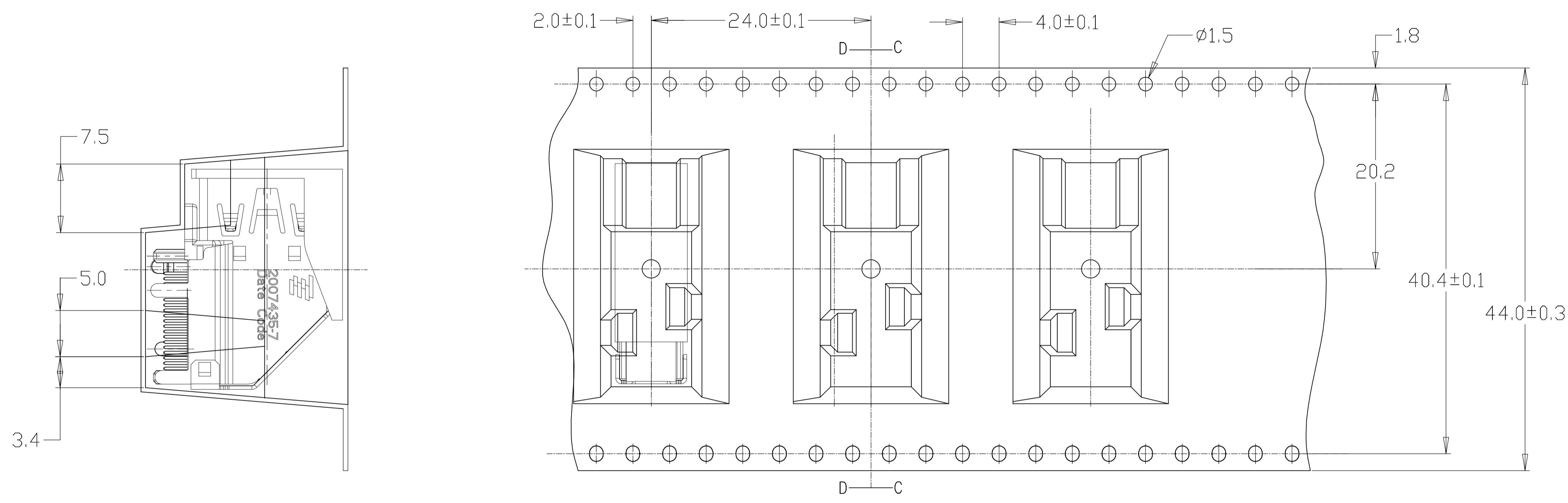
| LOC | | DIST | | REVISIONS | | | |
|-----|-----|-------------|------|-----------|------|---|---|
| P | LTR | DESCRIPTION | DATE | DN | APVD | | |
| - | - | SEE SHEET 1 | - | - | - | - | - |



EMBOSS TAPE
FOR PART NUMBER 2007435-6

| | | | | |
|------------------------------------------------------------------------------------------------------------------------------------------------------------|--|------------------|------------------------------|---------------|
| THIS DRAWING IS A CONTROLLED DOCUMENT. | | DIN | TE Connectivity | |
| DIMENSIONS: mm | | CHK | | |
| DIMENSIONS: mm TOLERANCES UNLESS OTHERWISE SPECIFIED: 0. PLC ± 0.3 1. PLC ± 0.15 2. PLC ± 0.10 3. PLC ± 0.10 4. PLC ± 0.10 ANGLES ± - | | APVD | NAME | |
| | | PRODUCT SPEC | HDMI FLAG CONNECTOR ASSEMBLY | |
| MATERIAL | | APPLICATION SPEC | RESTRICTED TO | |
| FINISH | | WEIGHT | SIZE | CAGE CODE |
| | | CUSTOMER DRAWING | A1 | 00779 |
| | | SCALE | N/A | SHEET 9 OF 10 |
| | | REV | D2 | |

| LOC | | DIST | | REVISIONS | | | |
|-----|-----|-------------|------|-----------|------|---|---|
| P | LTR | DESCRIPTION | DATE | DMN | APVD | | |
| - | - | SEE SHEET 1 | - | - | - | - | - |



EMBOSS TAPE
FOR PART NUMBER 2007435-7

| | | | | | |
|----------------------------------------|--|------------------|--|---------------------------------|--|
| THIS DRAWING IS A CONTROLLED DOCUMENT. | | DIN | | STE TE Connectivity | |
| DIMENSIONS: mm | | CHK | | NAME | |
| TOLERANCES UNLESS OTHERWISE SPECIFIED: | | APVD | | HDMI FLAG CONNECTOR ASSEMBLY | |
| 0. PLC ± 0.3 | | PRODUCT SPEC | | - | |
| 1. PLC ± 0.15 | | APPLICATION SPEC | | - | |
| 2. PLC ± 0.10 | | MATERIAL | | SIZE CAGE CODE DRAWING NO | |
| 3. PLC ± 0.10 | | FINISH | | A1 00779 C=2007435 | |
| 4. PLC ± 0.10 | | WEIGHT | | RESTRICTED TO | |
| ANGLES ± | | CUSTOMER DRAWING | | SCALE N/A SHEET 10 OF 10 REV D2 | |