



[Maxim](#) > [Design Support](#) > [Technical Documents](#) > [Reference Designs](#) > [Hot-Swap and Power Switching Circuits](#) > APP 2765

[Maxim](#) > [Design Support](#) > [Technical Documents](#) > [Reference Designs](#) > [Temperature Sensors and Thermal Management](#) > APP 2765

Keywords: fault protection, temperature, short-circuit, hot swap, fault, thermal, debouncer, hot-swap faults

REFERENCE DESIGN 2765 INCLUDES: ✓Tested Circuit ✓Schematic ✓Description ✓Test Data

Flexible Fault Protection

Dec 29, 2003

Abstract: A flexible circuit is shown that limits current or removes power in response to a command from the user or other fault-indicating signal. It accommodates manual-reset (MR), over-temperature, and protection in hot-swap applications. Residing on either the backplane/host side or the removable-card/remote-device side of the backplane connectors, it guards against start-up faults when a card or board is inserted into a rack or host with the main power supply turned on.

Many applications require the capability to automatically disconnect power from an operating circuit. Such applications include thermal shutdown of high-voltage power supplies in radar and X-ray systems, shutdown to limit inrush current during power-up or hot-swapping of pc cards, and shutdown to ensure that a card is properly seated before power is applied. In general, a power fault system will keep the power off following the system fault, until it is deliberately reset.

Figure 1 is a flexible circuit that limits current or removes power in response to a command from the user or other fault-indicating signal. It accommodates manual-reset (MR), over-temperature, and interlock-switch inputs. U1, for instance, is a circuit-breaker IC designed to offer protection in hot-swap applications. Residing on either the backplane/host side or the removable-card/remote-device side of the backplane connectors, it guards against start-up faults when a card or board is inserted into a rack or host with the main power supply turned on.

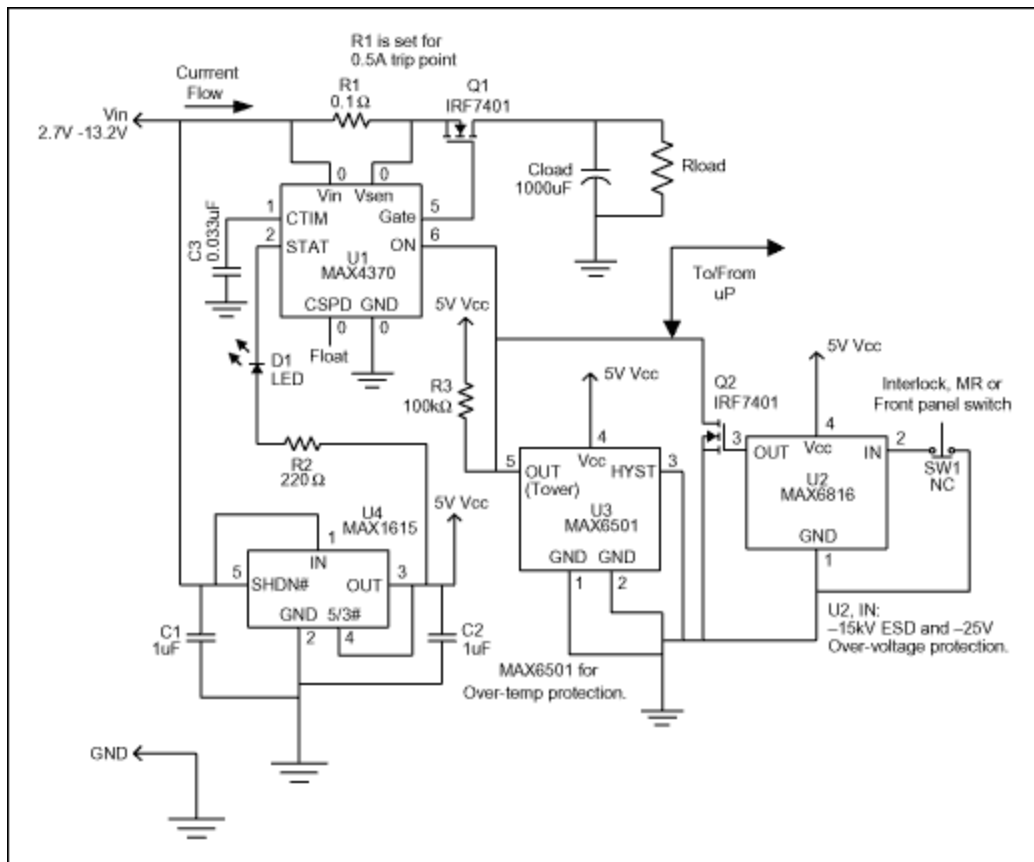


Figure 1. This circuit provides general over-current and over-temperature protection.

Two main fault conditions are possible. Discharged filter capacitors on the card or remote device can provide a low impedance to ground that momentarily collapses the host power supply. Or, a card only partially seated in its connector can generate erroneous data. U1 prevents the first condition by regulating inrush current during a programmable start-up period, allowing the system to stabilize safely. During normal operation, two internal comparators provide short-circuit and over-current protection (DualSpeed/BiLevel capability). The second condition is handled by routing U1's current output (ON) through two pins at the outer edges of the card (Figure 2).

conditions, connect an LED (or other fault indicator such as an audible alarm) to U1's open-drain status output (STAT). After a fault is detected, you can reset U1 by pulsing its ON pin low for 20µS minimum.

The switch debouncer (U2) has inputs protected to ±15kV for ESD and to ±25V for circuit faults. Its input (shown connected to a normally-closed pushbutton switch) can clear a fault on U1 or provide a manual reset. An internal pull-up to Vcc eliminates the need for an external pull-up resistor. Replacing the pushbutton switch with an interlock or SPST switch provides a power-disconnect signal, which can implement a chassis-intrusion interlock, or allow a technician to power-down the unit before swapping circuit cards. Because U2's push-pull output cannot be directly OR-connected with other signals connected to U1's ON pin, Q2 is added to create an OR-able open-drain connection.

A temperature switch (U3) adds thermal protection, and its open-drain output can be connected either directly (wire-OR'd) to other signals on U1's ON pin, or separately, back to the microprocessor. With its TO220 package option, U3 can be bolted to a heat sink, or surface-mounted (SOT23 option) close to known heat-generating sources such as R1, Q1, or the main load. In this circuit U3 provides circuit protection by issuing a power-disconnect signal when the circuit temperature becomes critical. A low-power linear regulator (U4) provides 5V to the low-voltage components U2 and U3, but U4 is not meant to provide system power to the load.

Related Parts		
MAX1615	High-Voltage, Low-Power Linear Regulators for Notebook Computers	Free Samples
MAX4370	Current-Regulating Hot-Swap Controller with DualSpeed/BiLevel Fault Protection	Free Samples
MAX6501	Low-Cost, +2.7V to +5.5V, Micropower Temperature Switches in SOT23	Free Samples
MAX6816	±15kV ESD-Protected, Single/Dual/Octal, CMOS Switch Debouncers	Free Samples

More Information

For Technical Support: <http://www.maximintegrated.com/support>

For Samples: <http://www.maximintegrated.com/samples>

Other Questions and Comments: <http://www.maximintegrated.com/contact>

Application Note 2765: <http://www.maximintegrated.com/an2765>

REFERENCE DESIGN 2765, AN2765, AN 2765, APP2765, Appnote2765, Appnote 2765

Copyright © by Maxim Integrated Products

Additional Legal Notices: <http://www.maximintegrated.com/legal>