

C3216CH2E153J160AA

TDK Item Description : C3216CH2E153JT***

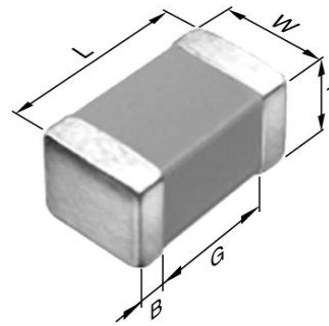


Application & Main Feature

Commercial Grade (Mid Voltage (100 to 630V))

Series

C3216 [EIA 1206]



Dimensions

L	3.20mm ±0.20mm
W	1.60mm ±0.20mm
T	1.60mm ±0.20mm
B	0.20mm Min.
G	1.00mm Min.

Temperature Characteristic

CH (-25 to 85 degC 0+/-60ppm/degC)

Rated Voltage

2E(250Vdc)

Capacitance

15nF

Capacitance Tolerance

J (±5%)

Q Factor

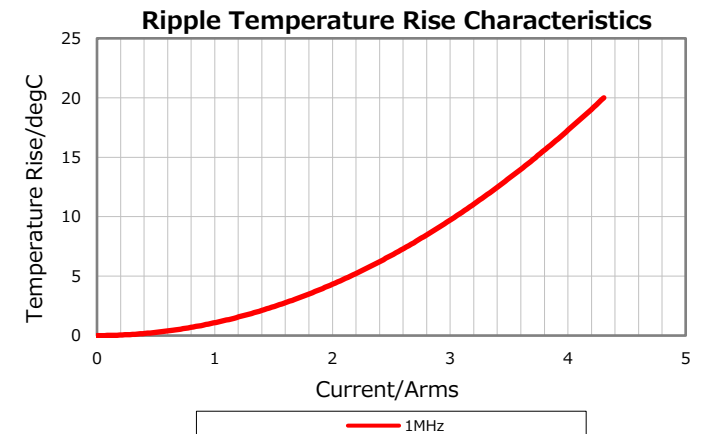
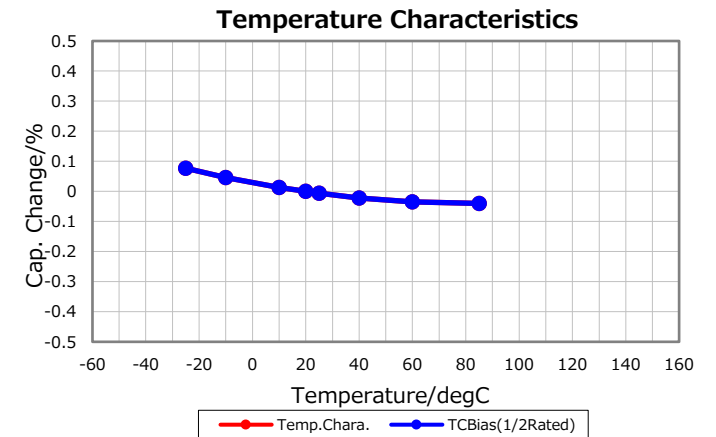
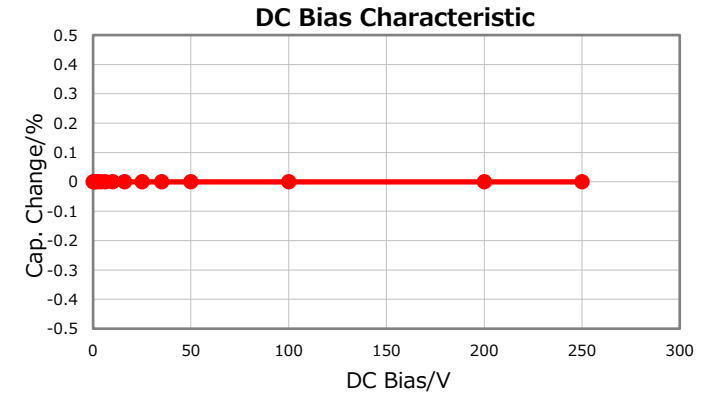
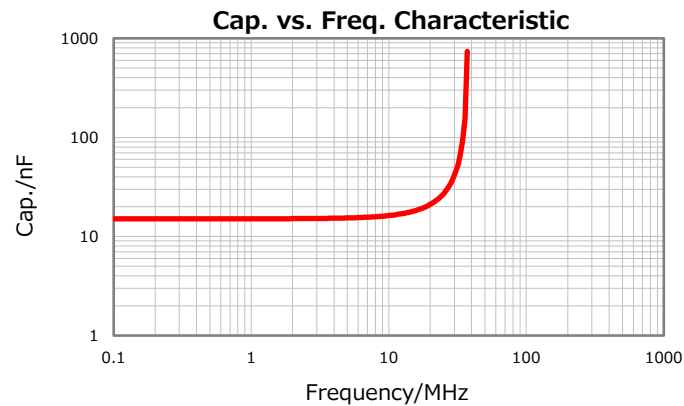
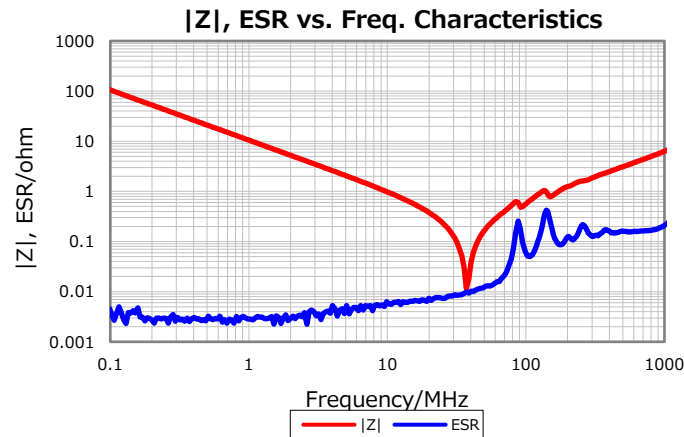
1000 Min.

Insulation Resistance

10Gohm Min

AEC-Q200

Not Applicable



Characterization Sheet (Multilayer Ceramic Chip Capacitors)



All specifications are subject to change without notice.

July 2, 2019