

FEATURES

- Max. transparent propagation delay of 900ps
- Min. Master Reset and Enable pulse widths of 100ps
- IEE min. of -98mA
- Industry standard 100K ECL levels
- Extended supply voltage option:
VEE = -4.2V to -5.5V
- Voltage and temperature compensation for improved noise immunity
- Internal 75kΩ input pull-down resistors
- More than 40% faster than Fairchild
- Approximately 30% lower power than Fairchild
- Function and pinout compatible with Fairchild F100K
- Available in 28-pin PLCC package

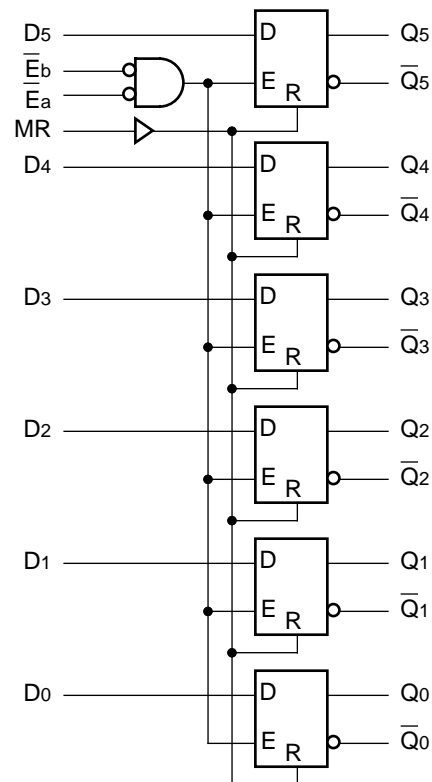
DESCRIPTION

The SY100S350 offers six high-speed D-Latches with both true and complement outputs, and is performance compatible for use with high-performance ECL systems. When both enable signals (\bar{E}_a and \bar{E}_b) are at a logic LOW, the latches are transparent and the input signals (D_0 – D_5) appear at the outputs (Q_0 – Q_5) after a propagation delay. If either or both of the enable signals are at a logic HIGH, then the latches store the last valid data present on its inputs before \bar{E}_a or \bar{E}_b went to a logic HIGH. The Master Reset (MR) overrides all other input signals and takes the outputs to a logic LOW state. All inputs have 75kΩ pull-down resistors.

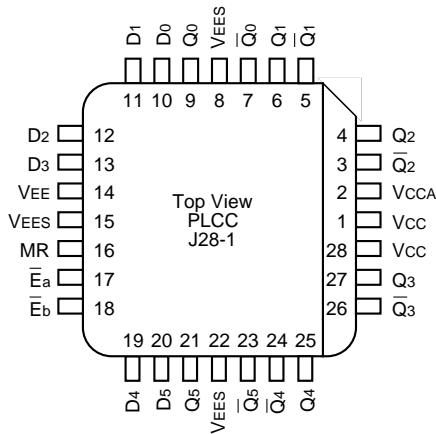
PIN NAMES

Pin	Function
D_0 — D_5	Data Inputs
\bar{E}_a , \bar{E}_b	Common Enable Inputs (Active LOW)
MR	Asynchronous Master Reset Input
Q_0 — Q_5	Data Outputs
\bar{Q}_0 — \bar{Q}_5	Complementary Data Outputs
VEES	VEE Substrate
VCCA	VCCO for ECL Outputs

BLOCK DIAGRAM



PACKAGE/ORDERING INFORMATION



28-Pin PLCC (J28-1)

Ordering Information

Part Number	Package Type	Operating Range	Package Marking	Lead Finish
SY100S350JC	J28-1	Commercial	SY100S350JC	Sn-Pb
SY100S350JCTR ⁽¹⁾	J28-1	Commercial	SY100S350JC	Sn-Pb
SY100S350JZ ⁽²⁾	J28-1	Commercial	SY100S350JZ with Pb-Free bar-line indicator	Matte-Sn
SY100S350JZTR ^(1, 2)	J28-1	Commercial	SY100S350JZ with Pb-Free bar-line indicator	Matte-Sn

Notes:

1. Tape and Reel.
2. Pb-Free package is recommended for new designs.

TRUTH TABLE⁽¹⁾

Each Latch

Inputs				Outputs		Operating Mode
D _n	\bar{E}_a	\bar{E}_b	MR	Q _n	\bar{Q}_n	
H	L	L	L	H	L	Latch
L	L	L	L	L	H	
X	X	H	L	Latched ⁽²⁾	Latched ⁽²⁾	
X	H	X	L	Latched ⁽²⁾	Latched ⁽²⁾	
X	X	X	H	L	H	Asynchronous

NOTES:

1. H = HIGH State
L = LOW State
X = Don't Care
2. Retains data that is present before \bar{E} positive transition.

DC ELECTRICAL CHARACTERISTICS

$V_{EE} = -4.2V$ to $-5.5V$ unless otherwise specified; $V_{CC} = V_{CCA} = GND$

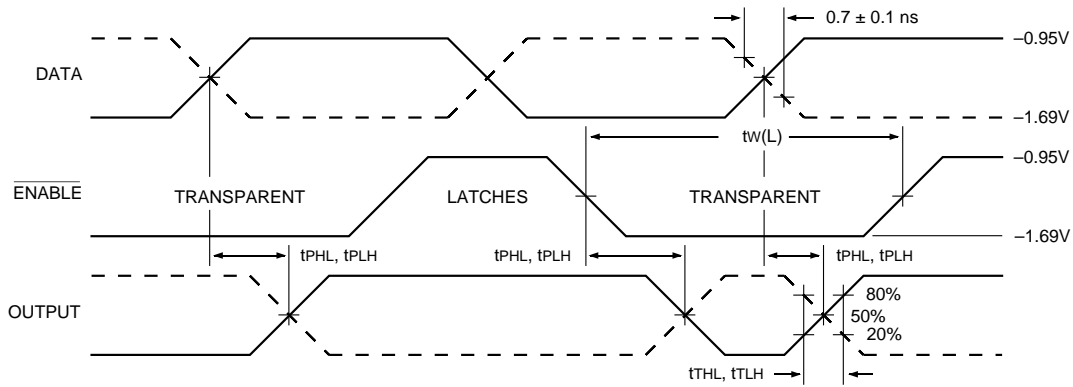
Symbol	Parameter	Min.	Typ.	Max.	Unit	Condition
I_{IH}	Input HIGH Current MR D_n \bar{E}_a, \bar{E}_b	—	—	250	μA	$V_{IN} = V_{IH} (Max.)$
I_{EE}	Power Supply Current	-98	-78	-49	mA	Inputs Open

AC ELECTRICAL CHARACTERISTICS

$V_{EE} = -4.2V$ to $-5.5V$ unless otherwise specified; $V_{CC} = V_{CCA} = GND$

Symbol	Parameter	$T_A = 0^\circ C$		$T_A = +25^\circ C$		$T_A = +85^\circ C$		Unit	Condition
		Min.	Max.	Min.	Max.	Min.	Max.		
t_{PLH} t_{PHL}	Propagation Delay D_n to Output	300	900	300	900	300	900	ps	
t_{PLH} t_{PHL}	Propagation Delay E_a, E_b to Output	300	1000	300	1000	300	1000	ps	
t_{PLH} t_{PHL}	Propagation Delay MR to Output	300	1200	300	1200	300	1200	ps	
t_{TLH} t_{THL}	Transition Time 20% to 80%, 80% to 20%	300	900	300	900	300	900	ps	
t_S	Set-up Time, D_n to E_n	500	—	500	—	500	—	ps	
t_H	Hold Time, D_n to E_n	500	—	500	—	500	—	ps	
t_r	Release Time, MR to E_n	1000	—	1000	—	1000	—	ps	
$t_{PW} (L)$	Pulse Width, E_a, E_b	1000	—	1000	—	1000	—	ps	
$t_{PW} (H)$	Pulse Width, MR	1000	—	1000	—	1000	—	ps	

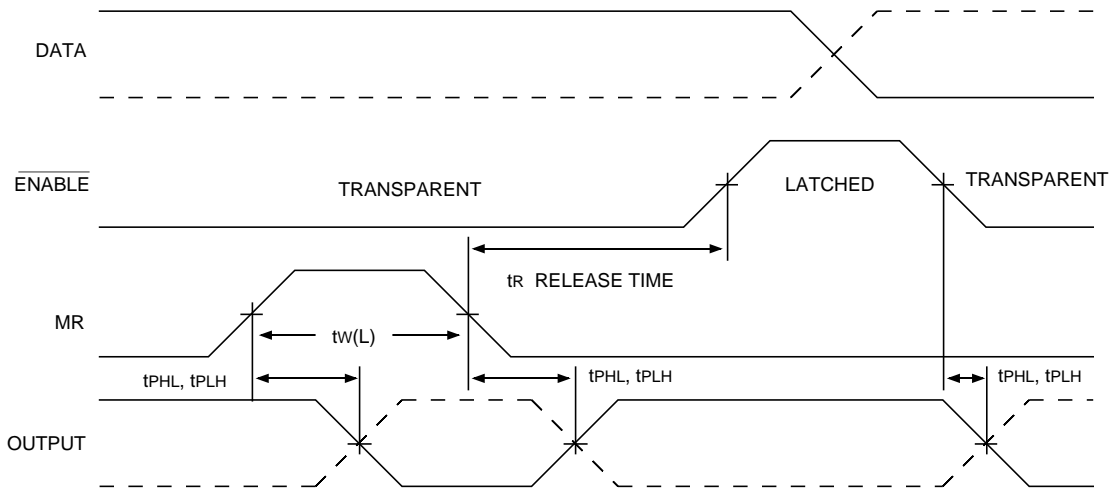
TIMING DIAGRAMS



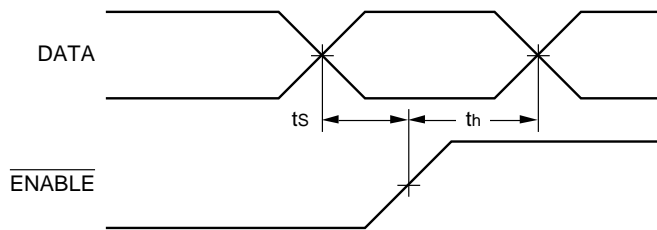
Enable Timing

Note:

$V_{EE} = -4.2V$ to $-5.5V$ unless otherwise specified; $V_{CC} = V_{CCA} = GND$



Reset Timing



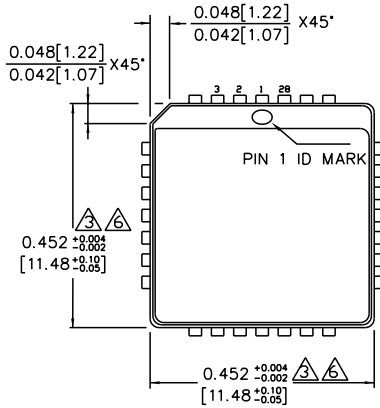
Data Set-up and Hold Times

Notes:

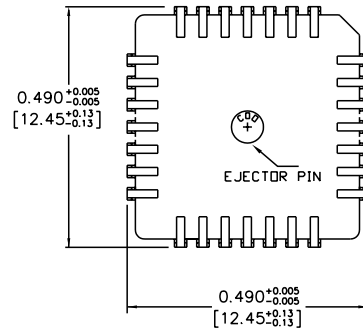
t_s is the minimum time before the transition of the clock that information must be present at the data input.

t_h is the minimum time after the transition of the clock that information must remain unchanged at the data input.

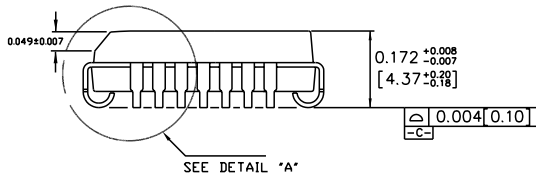
28-PIN PLCC (J28-1)



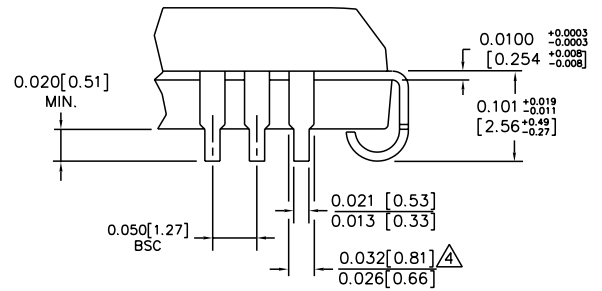
TOP VIEW



BOTTOM VIEW



SIDE VIEW



DETAIL "A"

NOTES:

1. DIMENSIONS ARE IN INCHES [MM].
2. CONTROLLING DIMENSION: INCHES.
3. DIMENSION DOES NOT INCLUDE MOLD FLASH OR PROTRUSIONS, EITHER OF WHICH SHALL NOT EXCEED 0.008 [0.203].
4. LEAD DIMENSION DOES NOT INCLUDE DAMBAR PROTRUSION.
5. MAXIMUM AND MINIMUM SPECIFICATIONS ARE INDICATED AS FOLLOWS: MAX/MIN
6. PACKAGE TOP DIMENSION MAY BE SLIGHTLY SMALLER THAN BOTTOM DIMENSION.

Rev. A

MICREL, INC. 2180 FORTUNE DRIVE SAN JOSE, CA 95131 USA

TEL + 1 (408) 944-0800 FAX + 1 (408) 474-1000 WEB <http://www.micrel.com>

The information furnished by Micrel in this data sheet is believed to be accurate and reliable. However, no responsibility is assumed by Micrel for its use. Micrel reserves the right to change circuitry and specifications at any time without notification to the customer.

Micrel Products are not designed or authorized for use as components in life support appliances, devices or systems where malfunction of a product can reasonably be expected to result in personal injury. Life support devices or systems are devices or systems that (a) are intended for surgical implant into the body or (b) support or sustain life, and whose failure to perform can be reasonably expected to result in a significant injury to the user. A Purchaser's use or sale of Micrel Products for use in life support appliances, devices or systems is at Purchaser's own risk and Purchaser agrees to fully indemnify Micrel for any damages resulting from such use or sale.

© 2006 Micrel, Incorporated.