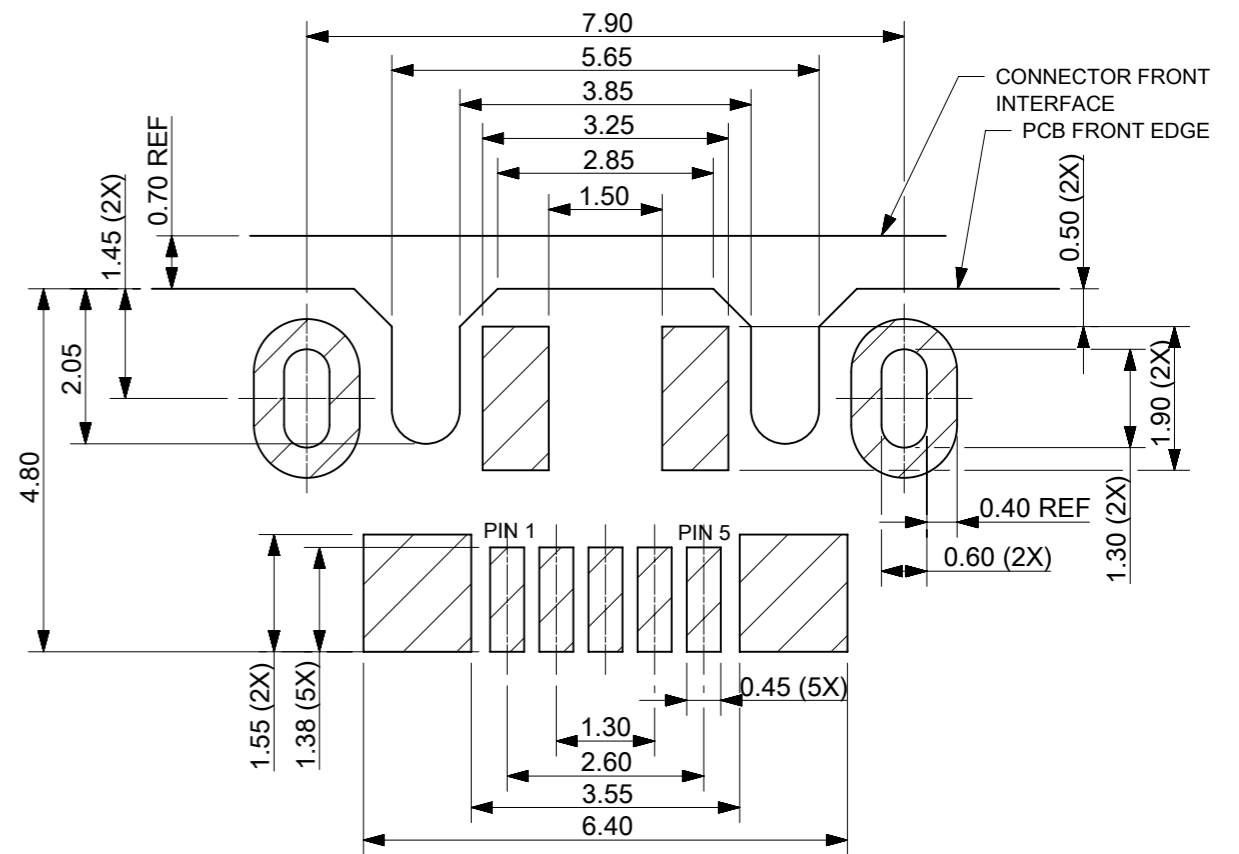
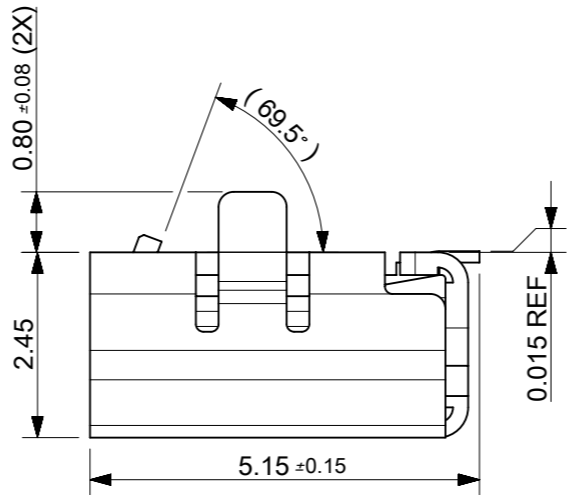
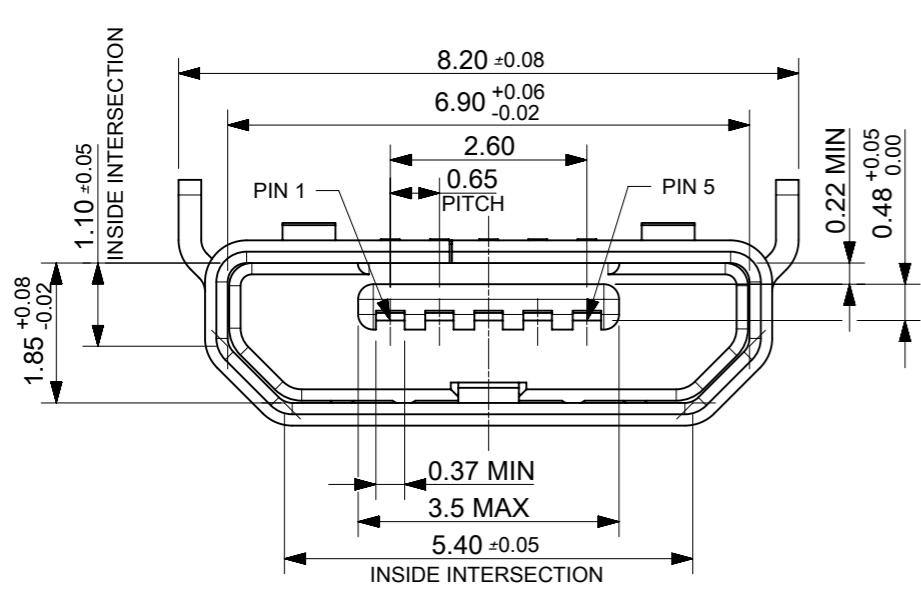


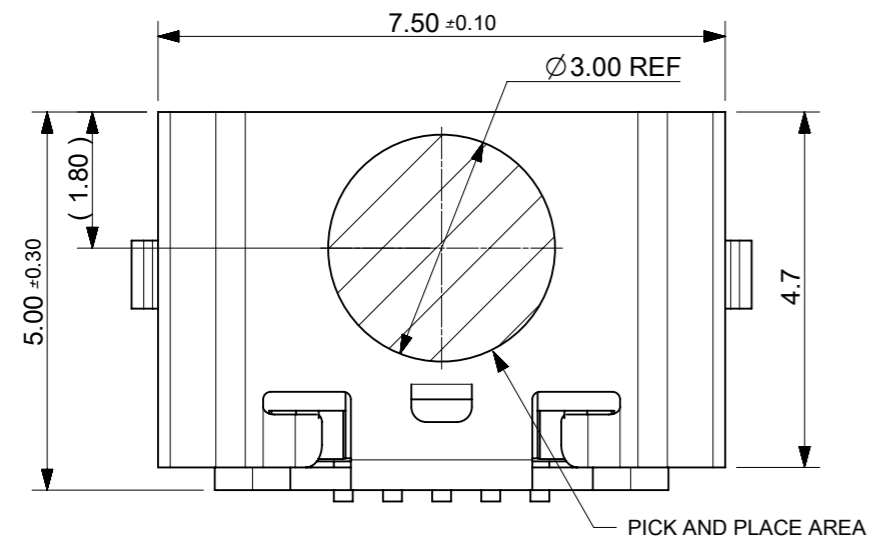
- NOTES:
- MATERIAL:
HOUSING: LCP, BLACK, UL94V-0;
TERMINAL: COPPER ALLOY, THICKNESS: 0.15mm;
SHELL: STAINLESS STEEL, THICKNESS: 0.30mm.
 - PLATING:
TERMINAL:
CONTACT AREA: GOLD FLASH OVER MINIMUM 0.75MICRON Pd/Ni;
SOLDER TAIL AREA: GOLD FLASH;
UNDER PLATING: NICKEL 2.0MICRON MINIMUM.
SHELL:
MATTE TIN 2.0MICRON MINIMUM;
UNDER PLATING: NICKEL 1.27MICRON MINIMUM.
 - TAIL & NAIL COPLANARITY 0.08mm MAXIMUM.
 - PRODUCT SPECIFICATION: PS-47642-001.
 - PACKAGE SPECIFICATION: PK-105164-001.
 - COMPLIANT TO RoHS DIRECTIVE 2011/65/EU AND ELV 2000/53/EC.



RECOMMENDED P.C.B. PATTERN LAYOUT
GENERAL TOLERANCE: ±0.05

PIN	NAME
5	GND
4	ID
3	D+
2	D-
1	VBUS

PIN ASSIGNMENT



THIS DRAWING CONTAINS INFORMATION THAT IS PROPRIETARY TO MOLEX ELECTRONIC TECHNOLOGIES, LLC AND SHOULD NOT BE USED WITHOUT WRITTEN PERMISSION		CURRENT REV DESC: REVISED PCB LAYOUT		molex	
DIMENSION UNITS	SCALE				
mm	NTS			MICRO USB B RECEPTACLE TOP MOUNT FLANGELESS	
GENERAL TOLERANCES (UNLESS SPECIFIED)				PRODUCT CUSTOMER DRAWING	
ANGULAR TOL	± 3.0 °	EC NO:	605691	DOCUMENT NUMBER	SD-105164-001
4 PLACES	±	DRWN:	XQZHANG 2018/10/10	DOC TYPE	PSD
3 PLACES	±	CHK'D:	AYIN 2019/01/30	DOC PART	001
2 PLACES	± 0.25	APPR:	AYIN 2019/01/30	REVISION	D
1 PLACE	± 0.25	INITIAL REVISION:			
0 PLACES	±	DRWN:	XJSONG 2010/07/26		
		APPR:	XJSONG 2011/02/22		
DRAFT WHERE APPLICABLE MUST REMAIN WITHIN DIMENSIONS	THIRD ANGLE PROJECTION	DRAWING	SERIES	MATERIAL NUMBER	CUSTOMER
		A3-SIZE	105164	105164-0001	GENERAL MARKET
DOCUMENT STATUS		P1		RELEASE DATE	2019/01/30 07:34:48
SHEET NUMBER		1 OF 1			