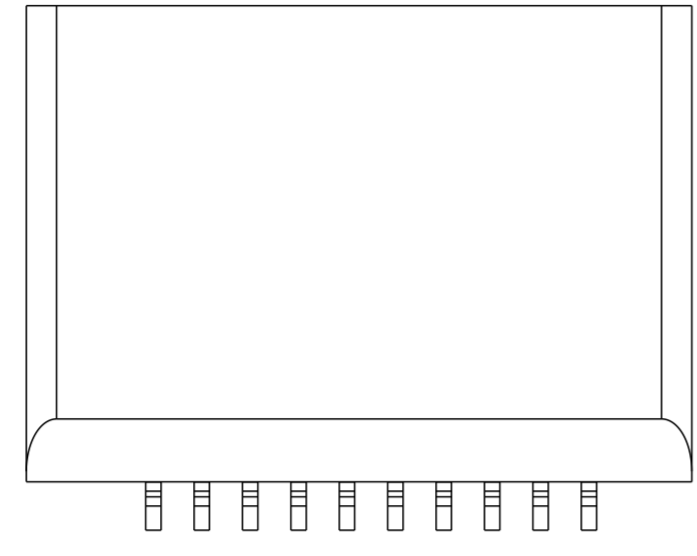


THIS DRAWING IS UNPUBLISHED. RELEASED FOR PUBLICATION 20
 © COPYRIGHT 20 BY - ALL RIGHTS RESERVED.

LOC		DIST		REVISIONS			
P	LTR	DESCRIPTION	DATE	DWN	APVD		
A		RELEASED	21NOV2013	JW	SH		
B		REVISED PER ECN-22-136731	27JAN2022	PT	SZ		



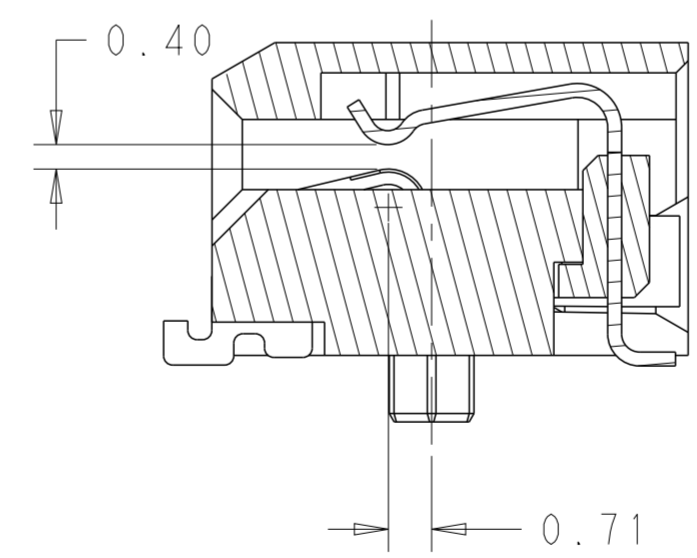
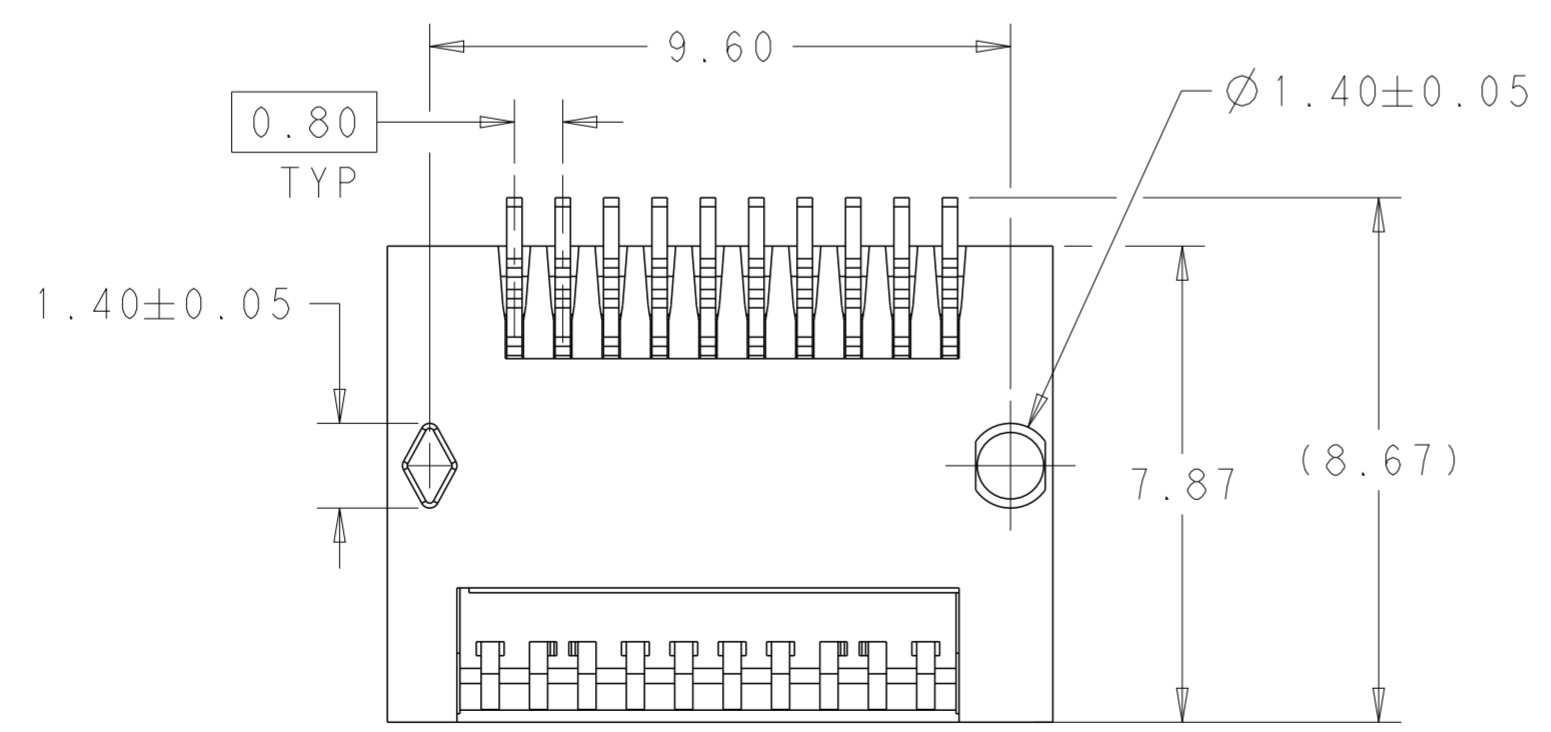
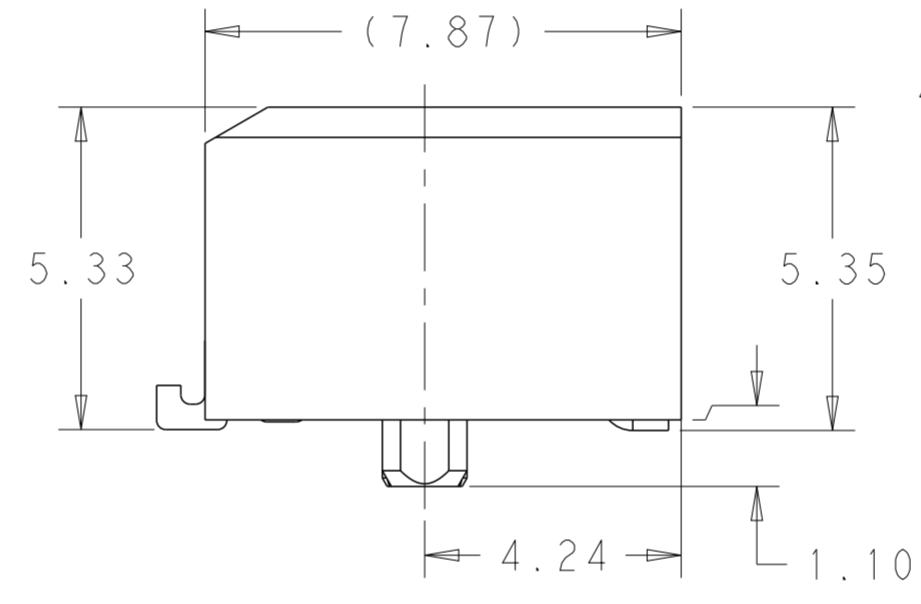
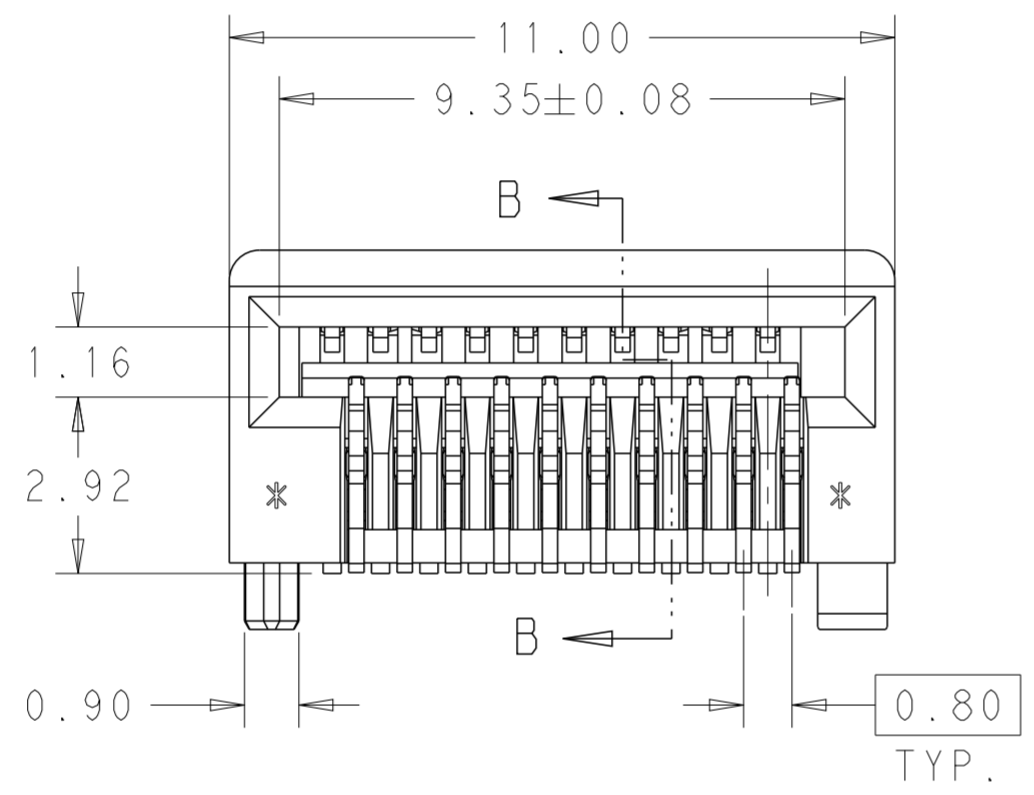
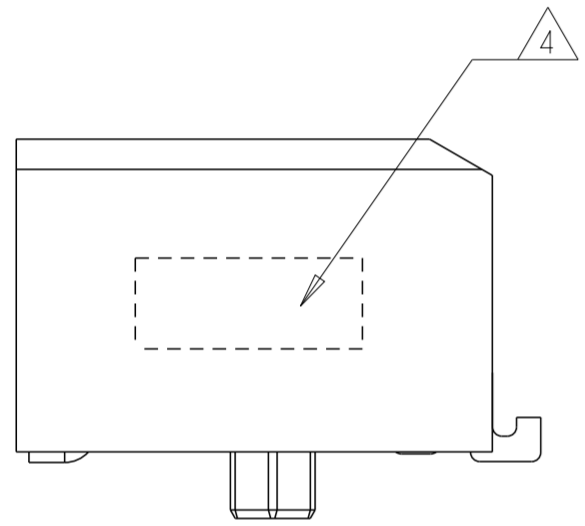
1 MATERIAL:
 CONTACT: COPPER ALLOY
 HOUSING: THERMOPLASTIC

2 FINISH:
 CONTACT AREA: GOLD FLASH OVER PALLADIUM-NICKEL
 OR GOLD PLATING, 0.76um MIN TOTAL
 SOLDER AREA: GOLD FLASH
 UNDERPLATING: 2.54um MIN NICKEL OVER ALL

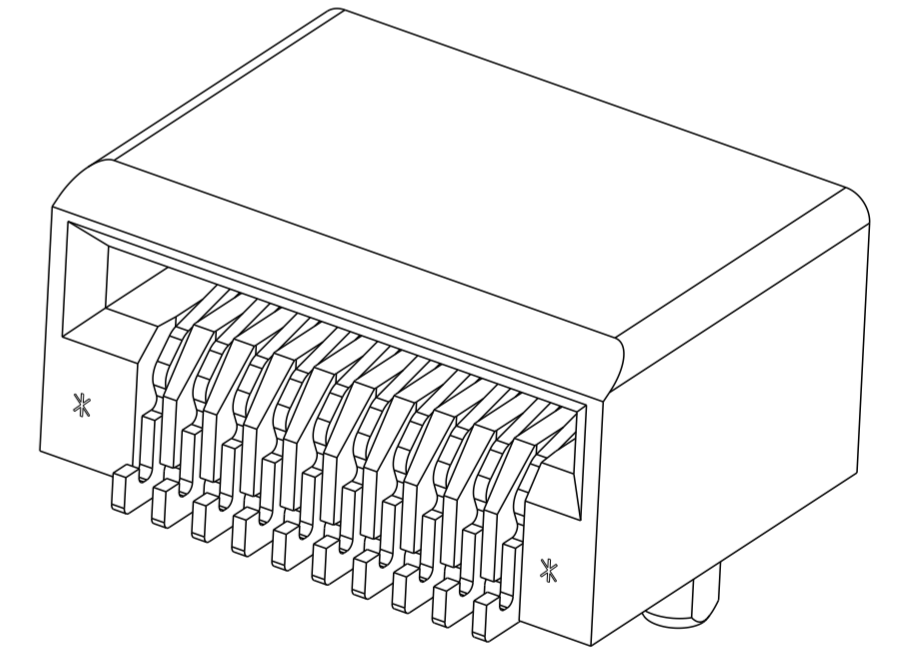
3 FINISH:
 CONTACT AREA: GOLD FLASH OVER PALLADIUM-NICKEL
 OR GOLD PLATING, 0.38um MIN TOTAL
 SOLDER AREA: GOLD FLASH
 UNDERPLATING: 2.54um MIN NICKEL OVER ALL

4 PART NUMBER AND DATE CODE APPROXIMATELY
 MARKED IN THIS AREA.

5. PRODUCT MEETS MAXIMUM POWER CONSUMPTION
 LEVEL-III UP TO 2.0W



SECTION B-B

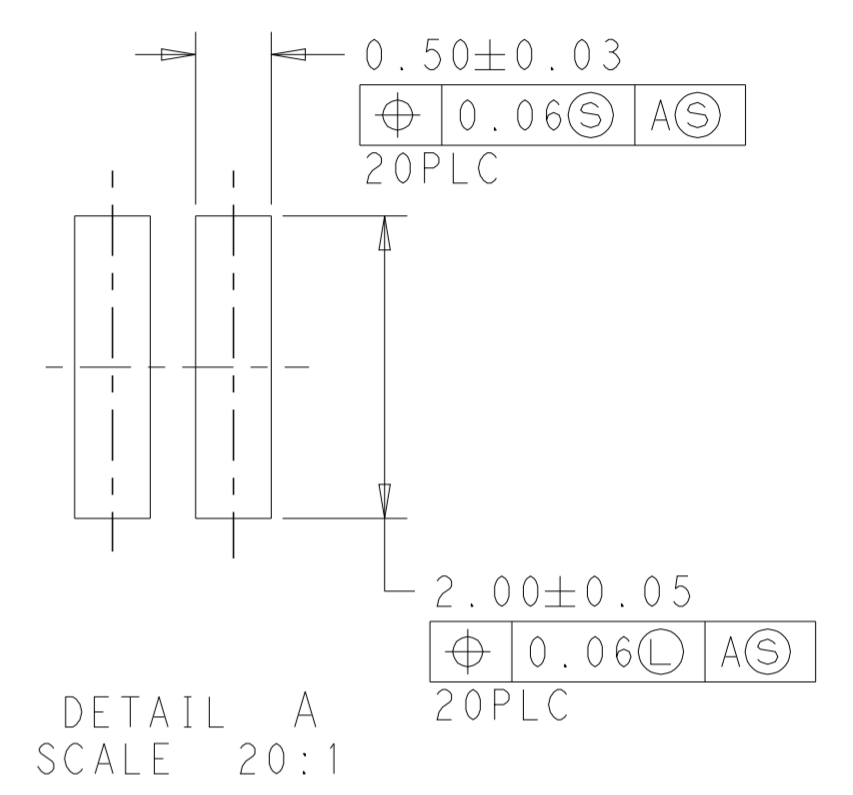
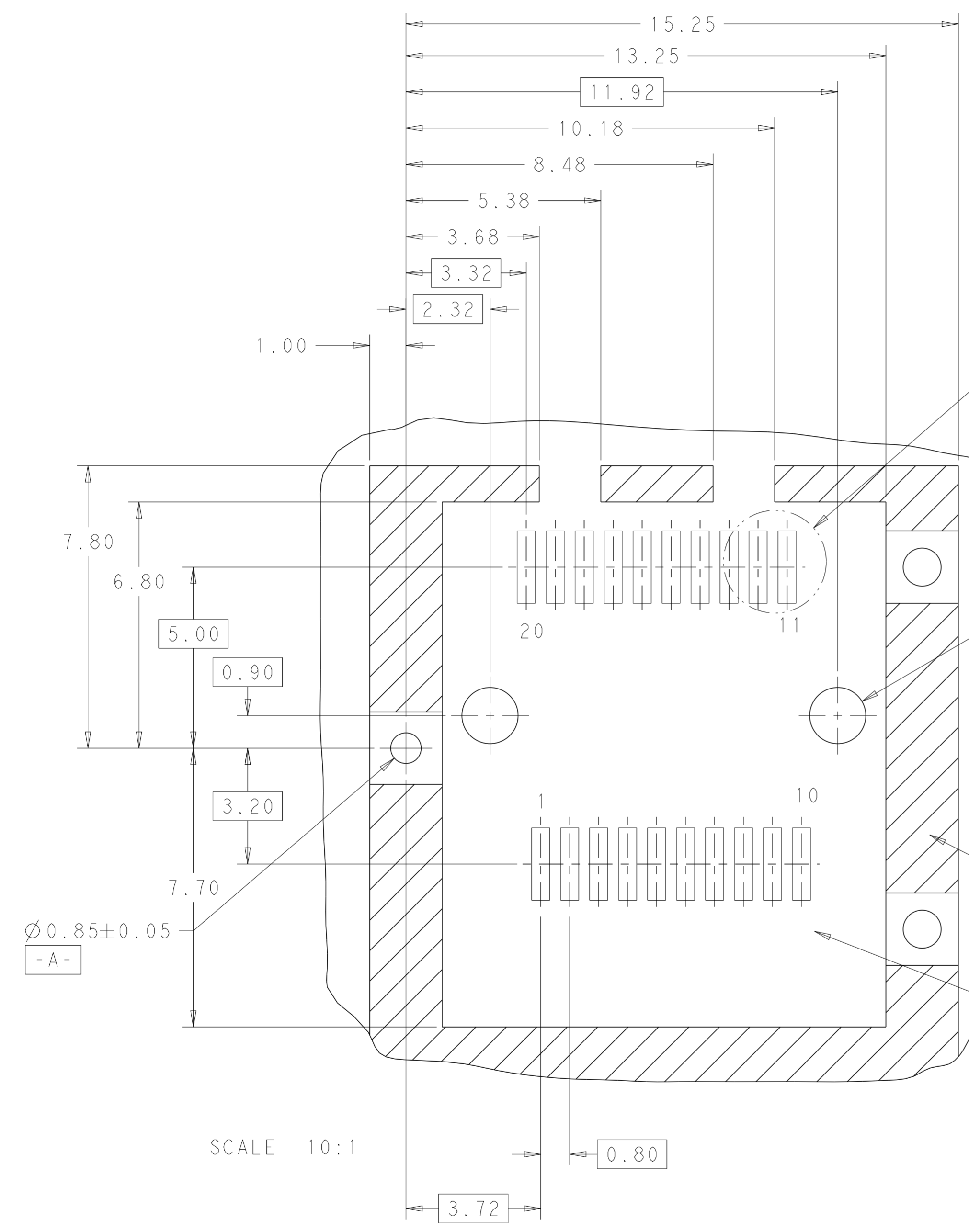


1	2170088-2
2	2170088-1
FINISH	TE PART NO.

THIS DRAWING IS A CONTROLLED DOCUMENT.		DWN 28MAR2011 ALEX SHOAL	TE Connectivity	
DIMENSIONS: mm		CHK 28MAR2011 MANQIAN WANG	ASSEMBLY DRAWING SMT, 20POS, ZSFP+	
TOLERANCES UNLESS OTHERWISE SPECIFIED:		APVD 28MAR2011 MANQIAN WANG	NAME	
0 PLC ±	±0.25	PRODUCT SPEC	108-60099	
1 PLC ±	±0.13	APPLICATION SPEC	114-13120	
2 PLC ±	±	WEIGHT	-	
3 PLC ±	±	Customer Drawing	SCALE 8:1	SHEET 1 OF 2
4 PLC ±	±			REV B
ANGLES ±	±			
FINISH	1 2 3			

THIS DRAWING IS UNPUBLISHED. RELEASED FOR PUBLICATION 20
 © COPYRIGHT 20 BY - ALL RIGHTS RESERVED.

LOC	DIST	REVISIONS			
P	LTR	DESCRIPTION	DATE	DWN	APVD
-	-	SEE SHEET 1	-	-	-



$\varnothing 1.55 \pm 0.05$
 $\varnothing 0.1 (L) (AS)$

CROSS HATCHED AREA DENOTES
 COMPONENT AND TRACE KEEP-OUT
 (EXCEPT CHASSIS GROUND)

THIS AREA DENOTES
 COMPONENT KEEP-OUT
 (TRACES ALLOWED)

SCALE 10:1

THIS DRAWING IS A CONTROLLED DOCUMENT.		DWN 28MAR2011 ALEX SHOAL	TE Connectivity	
DIMENSIONS: mm		CHK 28MAR2011 MANQIAN WANG		
TOLERANCES UNLESS OTHERWISE SPECIFIED:		APVD 28MAR2011 MANQIAN WANG	NAME ASSEMBLY DRAWING SMT, 20POS, ZSFP+	
0 PLC ± 1 PLC ±0.25 2 PLC ±0.13 3 PLC ± 4 PLC ± ANGLES ± FINISH ±		PRODUCT SPEC 108-60099	RESTRICTED TO	
MATERIAL		APPLICATION SPEC 114-13120	SIZE A200779	DRAWING NO C-2170088
		WEIGHT	SCALE 8:1 SHEET 2 OF 2 REV B	
		Customer Drawing		