

THIS DRAWING IS UNPUBLISHED.

RELEASED FOR PUBLICATION

- . - .

© COPYRIGHT - By TE CONNECTIVITY

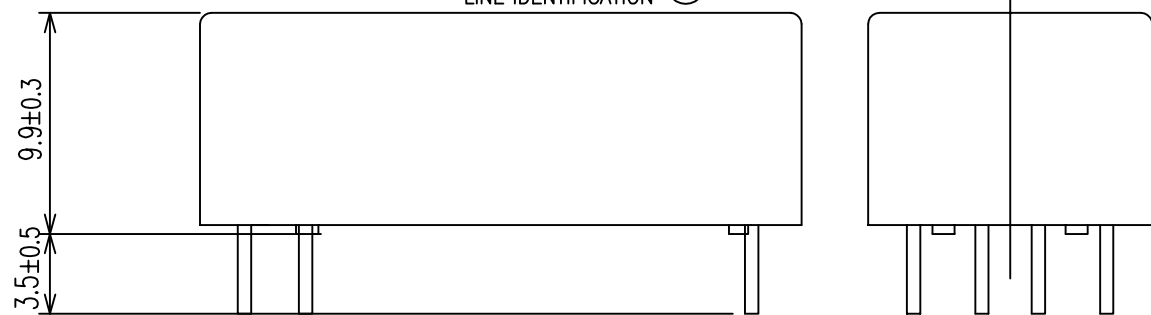
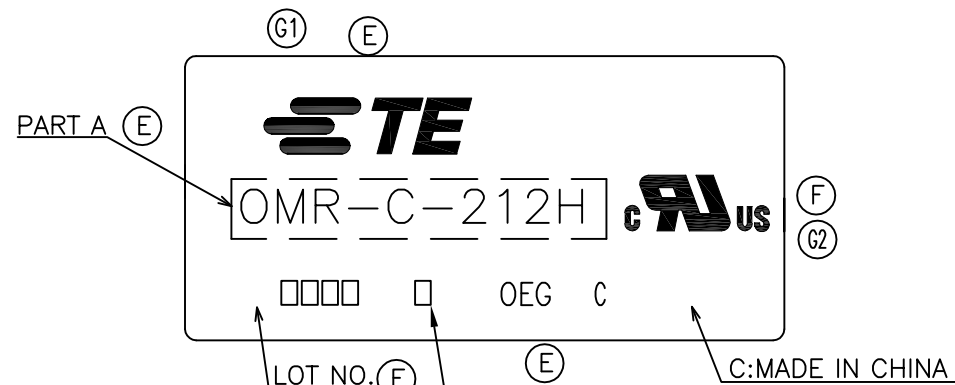
ALL RIGHTS RESERVED.

LOC
HB

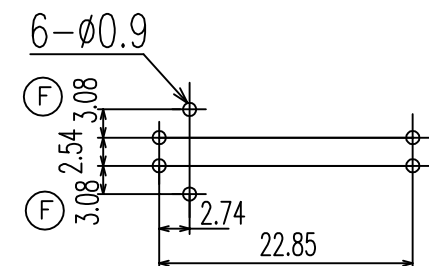
DIST

REVISIONS

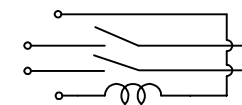
| P | LTR | DESCRIPTION | DATE | DWN | APVD |
|----|-----|--|---------------|-----------|--------------|
| G1 | | 1.CHANGE TE LOGO 2.ADD LINE IDENTIFICATION | ECO-11-018616 | 25-AUG-12 | S.P B.H.Y |
| G2 | | REVISE MISTAKE(ADD MISSED UL SYMBOL) | ECO-13-010597 | 26-JUN-13 | P.L B.H.Y |



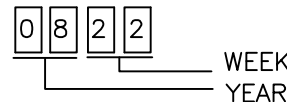
DRILLING DIAGRAM (BOTTOM VIEW)



CONNECTION DIAGRAM



NOTES:
1.LOT NO. SYSTEM AS FOLLOWING:



2.GENERAL TOLERANCE AS FOLLOWING:

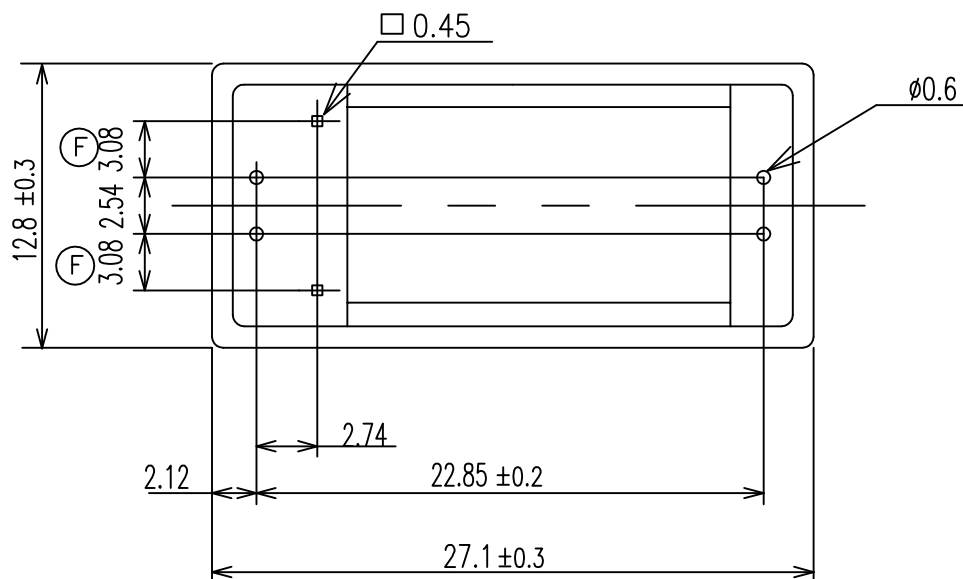
| TOLERANCE | |
|------------|------|
| 0~0.99mm | ±0.1 |
| 1mm~2.99mm | ±0.2 |
| 3mm MIN. | ±0.3 |

3.TERMINAL DIMENSION IS NOT INCLUDING SOLDER TIP.

| ACTIVE | 3-1440000-1 | 107-79022 | OMR-C-212H | OMR-C-212H | b |
|-------------|-------------|---------------|-------------|------------|------|
| OBSOLETE | 5-1419131-9 | | OMR-C-212H | OMR-C-212H | a |
| PART STATUS | TE PART NO | PACKING SPEC. | DESCRIPTION | PART A | TYPE |

RELAY TYPE

| UL 94V-0 | INCOMBUSTIBILITY | TREATMENT | MATERIAL | DESCRIPTION | ITEM |
|----------|------------------|------------|-------------|---------------|------|
| | | | EPOXY RESIN | RESIN | 6 |
| | | | | REED SWITCH | 5 |
| | | | POLYESTER | TAPE | 4 |
| | | SOLDER DIP | HCP WIRE | COIL TERMINAL | 3 |
| | | | 3UEW | COIL WIRE | 2 |
| | | | PBT | BOBBIN | 1 |



| | | |
|--|--------|------------------|
| THIS DRAWING IS A CONTROLLED DOCUMENT. | | DWN H.SASAKI |
| DIMENSIONS: mm | | CHK Y.OIKAWA |
| TOLERANCES UNLESS OTHERWISE SPECIFIED: | | APVD A.NAGAI |
| 0 PLC | ± - | PRODUCT SPEC |
| 1 PLC | ± - | |
| 2 PLC | ± - | APPLICATION SPEC |
| 3 PLC | ± - | |
| 4 PLC | ± - | |
| ANGLES | ± - | |
| MATERIAL | FINISH | WEIGHT |
| | | |

| | | | |
|----------------------|-----------|-----------------|---------------|
| NAME | | TE Connectivity | |
| OMR CUSTOMER DRAWING | | | |
| SIZE | CAGE CODE | DRAWING NO | RESTRICTED TO |
| A3 | 00779 | C-5-1419131-9 | - |
| CUSTOMER DRAWING | | SCALE | SHEET |
| | | 3:1 | 1 of 1 |
| | | REV | G2 |