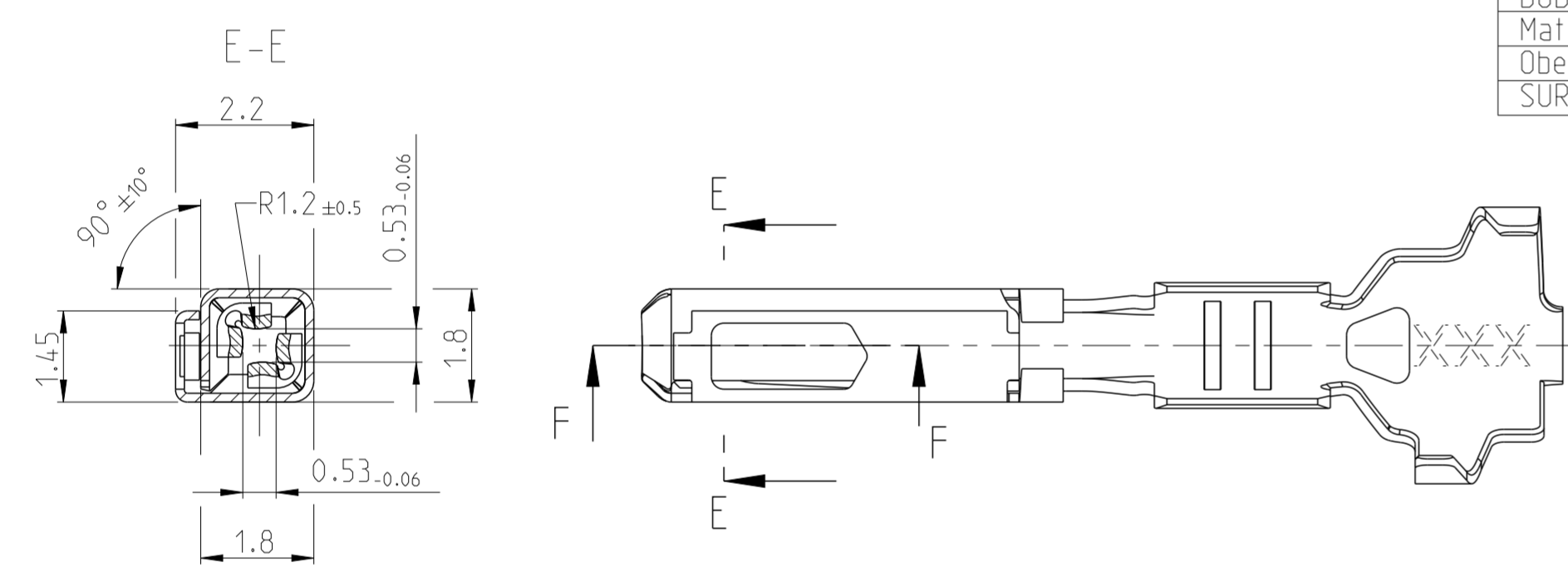
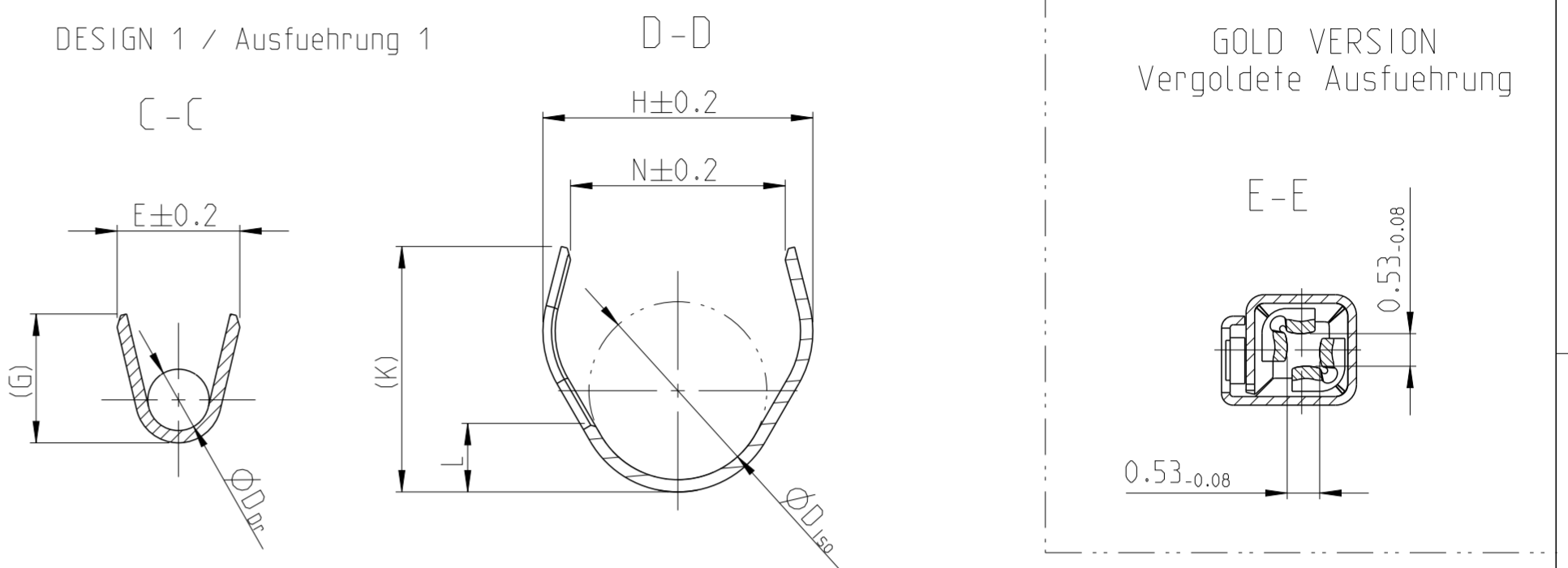
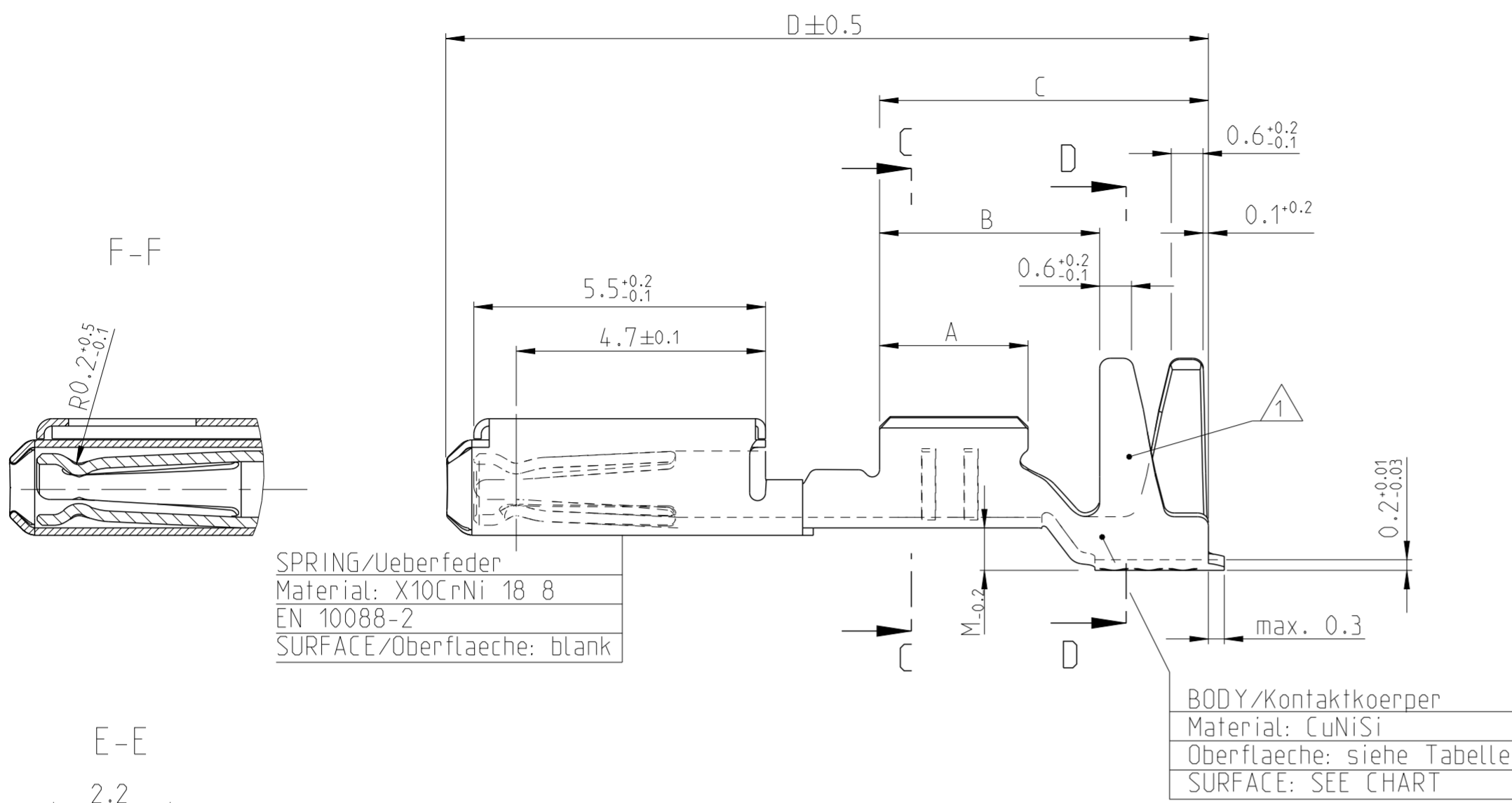


THIS DRAWING IS UNPUBLISHED. RELEASED FOR PUBLICATION 2009
 © COPYRIGHT 2009 TE Connectivity ALL RIGHTS RESERVED.

LOC		DIST		REVISIONS			
P	LTR	DESCRIPTION	DATE	DWN	APVD		
A1	-						
A2		LP variants removed. ECR-13-015135	30SEP2013	Abr	Brun		
A3		Design 2 and PN 2288140 added. ECR-14-018067	20NOV2014	Bren	Brun		
A4		Dimension of ISO-Crimp changed. ECR-17-006253	02MAY2017	HO.	BRUN		
A5		WIRE SIZE RANGE 0.22 added. PCN E-17-016682	13NOV2017	MAH.	BRUN		

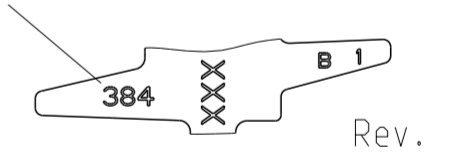


NOTES
 Bemerkungen

1 DATE-CODE (WEEK/YEAR (E.G. WEEK NUMBER 38/ YEAR 2004) AND TE REVISION (E.G. REV. B)
 Datumscode (Woche / Jahr, z.B. KW 38/ Jahr 2004) und TE-Revision (z.B. Rev.B)

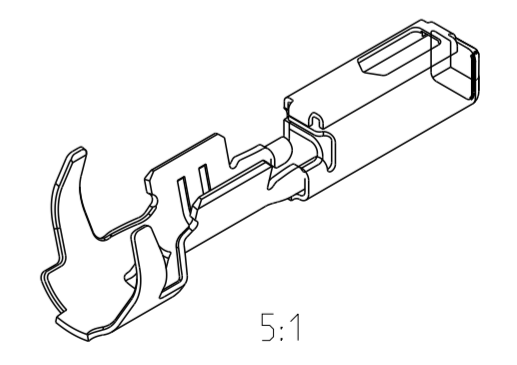
2 SUITABLE FOR PIN CONTACT SEE DRAWING: TE: 929453
 Passend zu Stiftkontakt siehe Zeichnung: TE: 929453

3 DETAILS OF DESIGN ARE LEFT TO MANUFACTURER
 Einzelheiten der Ausfuehrung bleiben dem Hersteller ueberlassen



A5

Order No.	Design	Rev	DGB Wire Size Range	Surface	Length	Wire Crimp	Insulation	Wire Seal	Material	Color	Notes
2288140-1	A		0.22-0.35	Sn	A = 2.6 B = 4.2 C = 6.2 D = 14.2 M = 0.8	E = 1.8 G = 1.8	H = 3.9 K = 3.58 N = 3.3 D _{Iso} = 2.6	0.22-0.35	0.9-1.4	967067-2 gelb YELLOW	963142-2 grau GREY
1703032-5	A		0.5-0.75	Au	A = 2.8 B = 4.2 C = 6.2 D = 14.2 M = 0.8	E = 2 G = 2.1 D _{Dr} = 1	H = 4.4 K = 4 L = 1.5 N = 3.5 D _{Iso} = 2.9	0.5-0.75	1.4-1.9	967067-1 gruen GREEN	967056-1 blau / BLUE
1703032-1	A	Sn		963142-1 schwarz BLACK	967056-1 blau / BLUE						



THIS DRAWING IS A CONTROLLED DOCUMENT.		DWN Abraham.G. 01JUN2004	TE Connectivity	
DIMENSIONS: mm		CHK Kampmann.H. 02JUN2004		
TOLERANCES UNLESS OTHERWISE SPECIFIED:		APVD Bleicher.M. 27SEP2004	NAME MQS	
1 PLC ±0.2 2 PLC ±0.2 3 PLC ±0.2 4 PLC ANGLES ±°		PRODUCT SPEC 108-18030	SOCKET CONTACT CLEANBODY SWS	
MATERIAL		APPLICATION SPEC 114-18025	SIZE A2	RESTRICTED TO
		WEIGHT 0.13 g	CAGE CODE 00779	DRAWING NO C-1703040
		Customer Drawing	SCALE 10:1	SHEET 1 of 1
				REV A5