

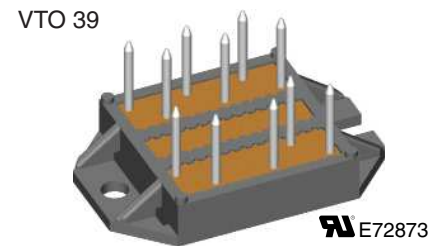
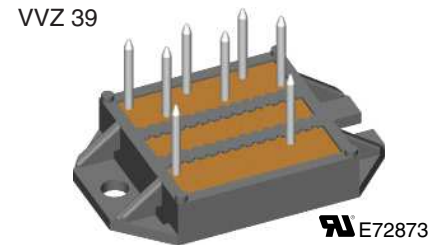
# Three Phase Rectifier Bridge

$$I_{dAV} = 39 \text{ A}$$

$$V_{RRM} = 800/1200 \text{ V}$$

## Preliminary data

$V_{RSM}$	$V_{RRM}$	Type
900	800	VTO 39-08ho7
1300	1200	VVZ 39-12ho7



Symbol	Conditions	Maximum Ratings	
$I_{dAV}$ ①	$T_C = 85^\circ\text{C}$ ; module	39	A
$I_{TAVM}$	$T_C = 85^\circ\text{C}$ (180° sine; per thyristor)	16	A
$I_{TSM}$	$T_{VJ} = 45^\circ\text{C}$ $V_R = 0$ $t = 10 \text{ ms}$ (50 Hz)	200	A
	$t = 8.3 \text{ ms}$ (60 Hz)	210	A
	$T_{VJ} = T_{VJM}$ $V_R = 0$ $t = 10 \text{ ms}$ (50 Hz)	180	A
	$t = 8.3 \text{ ms}$ (60 Hz)	190	A
$I^2t$	$T_{VJ} = 45^\circ\text{C}$ $V_R = 0$ $t = 10 \text{ ms}$ (50 Hz)	200	A <sup>2</sup> s
	$t = 8.3 \text{ ms}$ (60 Hz)	150	A <sup>2</sup> s
	$T_{VJ} = T_{VJM}$ $V_R = 0$ $t = 10 \text{ ms}$ (50 Hz)	160	A <sup>2</sup> s
	$t = 8.3 \text{ ms}$ (60 Hz)	150	A <sup>2</sup> s
$(di/dt)_{cr}$	$T_{VJ} = T_{VJM}$ $f = 50 \text{ Hz}$ ; $t_p = 200 \mu\text{s}$ $V_D = \frac{2}{3} V_{DRM}$ $I_G = 0.15 \text{ A}$ $di_G/dt = 0.15 \text{ A}/\mu\text{s}$	repetitive; $I_T = 20 \text{ A}$	100 A/ $\mu\text{s}$
		non repetitive; $I_T = I_{TAVM}$	500 A/ $\mu\text{s}$
$(dv/dt)_{cr}$	$T_{VJ} = T_{VJM}$ ; $V_D = \frac{2}{3} V_{DRM}$ $R_{GK} = \infty$ , method 1 (linear voltage rise)		500 V/ $\mu\text{s}$
$V_{RGM}$		10	V
$P_{GM}$	$T_{VJ} = T_{VJM}$ $t_p = 30 \mu\text{s}$	$\leq 5$	W
	$I_T = I_{TAVM}$ $t_p = 300 \mu\text{s}$	$\leq 2.5$	W
$P_{GAVM}$		0.5	W
$T_{VJ}$		-40...+125	°C
$T_{VJM}$		125	°C
$T_{stg}$		-40...+125	°C
$V_{ISOL}$	50/60 Hz, RMS $t = 1 \text{ min}$	2500	V~
	$I_{ISOL} \leq 1 \text{ mA}$ $t = 1 \text{ s}$	3000	V~
$M_d$	Mounting torque (M4)	1.5 - 2	Nm
		14 - 18	lb.in.
<b>Weight</b>	Typ.	18	g

① for resistive load at bridge output.

### Disclaimer Notice

Information furnished is believed to be accurate and reliable. However, users should independently evaluate the suitability of and test each product selected for their own applications. Littelfuse products are not designed for, and may not be used in, all applications. Read complete Disclaimer Notice at [www.littelfuse.com/disclaimer-electronics](http://www.littelfuse.com/disclaimer-electronics).

IXYS reserves the right to change limits, test conditions and dimensions.

20200117b

### Features

- Package with DCB ceramic base plate
- Isolation voltage 3000 V~
- Planar passivated chips
- Low forward voltage drop
- Leads suitable for PC board soldering

### Applications

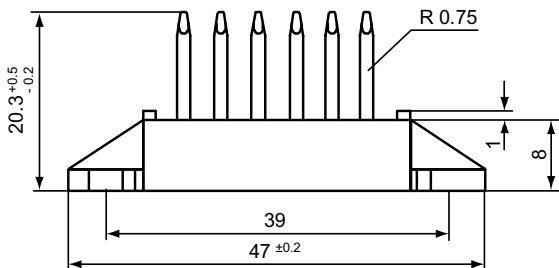
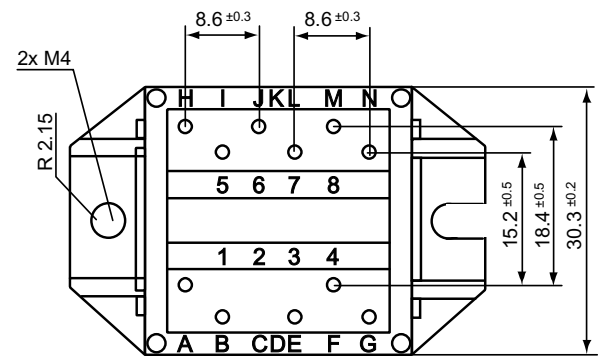
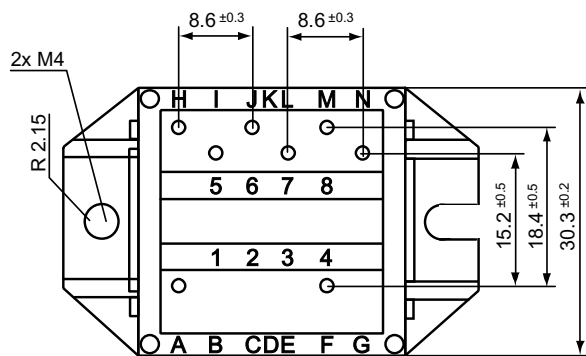
- Supplies for DC power equipment
- Input rectifiers for PWM inverter
- Battery DC power supplies
- Field supply for DC motors

### Advantages

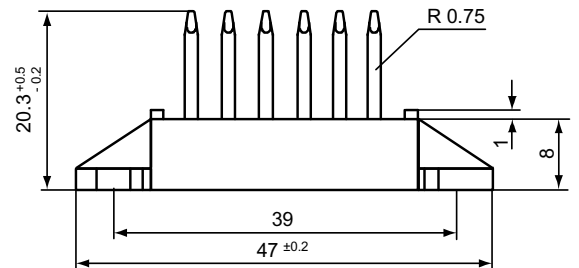
- Easy to mount with two screw
- Space and weight savings
- Improved temperature & power cycling capability
- Small and light weight

Data according to IEC 60747 and refer to a single diode unless otherwise stated

Symbol	Conditions	Characteristic Values		
$I_D; I_R$	$V_R = V_{RRM}; V_D = V_{DRM}$	$T_{VJ} = T_{VJM}$	$\leq$	5 mA
$V_T$	$I_T = 20$ A	$T_{VJ} = 25^\circ\text{C}$	$\leq$	1.6 V
$V_{T0}$	For power-loss calculations only	$T_{VJ} = 125^\circ\text{C}$		0.85 V
$r_T$				27 m $\Omega$
$V_{GT}$	$V_D = 6$ V	$T_{VJ} = 25^\circ\text{C}$	$\leq$	1.5 V
		$T_{VJ} = -40^\circ\text{C}$	$\leq$	2.5 V
$I_{GT}$	$V_D = 6$ V	$T_{VJ} = 25^\circ\text{C}$	$\leq$	25 mA
		$T_{VJ} = -40^\circ\text{C}$	$\leq$	50 mA
$V_{GD}$	$V_D = \frac{2}{3}V_{DRM}$	$T_{VJ} = T_{VJM}$	$\leq$	0.2 V
$I_{GD}$			$\leq$	3 mA
$I_L$	$t_p = 10$ $\mu\text{s}$ $I_G = 0.1$ A; $di_G/dt = 0.1$ A/ $\mu\text{s}$	$T_{VJ} = 25^\circ\text{C}$	$\leq$	75 mA
$I_H$	$V_D = 6$ V; $R_{GK} = \infty$	$T_{VJ} = 25^\circ\text{C}$	$\leq$	50 mA
$t_{gd}$	$V_D = \frac{1}{2}V_{DRM}$ $I_G = 0.1$ A; $di_G/dt = 0.1$ A/ $\mu\text{s}$	$T_{VJ} = 25^\circ\text{C}$	$\leq$	2 $\mu\text{s}$
$R_{thJC}$	per thyristor / diode; DC			1.3 K/W
	per module			0.22 K/W
$R_{thJH}$	per thyristor / diode; DC			1.8 K/W
	per module			0.3 K/W
$d_s$	Creeping distance on surface			11.2 mm
$d_A$	Creepage distance in air			5 mm
$a$	Max. allowable acceleration			50 m/s <sup>2</sup>

**Dimensions in mm (1 mm = 0.0394")**


VVZ 39



VTO 39