

NCP4672

Linear Voltage Regulator - Dual, V_{in} and V_{out} Voltage Detector

The NCP4672 is a dual linear voltage regulator with input voltage and output voltage detectors. This part is useful in systems where multiple voltages are required such as for core and I/O. The NCP4672 is very accurate at 2% over full input voltage and full load current. The NCP4672 eliminates the need for external voltage supervision due to the two built in voltage detectors. The voltage detector on the input is set to 7.0 V. The output voltage detector is for channel 1 and is set to 2.9 V. An external capacitor is used to set the duration of this reset signal. Other features include short circuit protection and thermal shutdown protection. The NCP4672 has been designed to work with a 4.7 μF output capacitor having an ESR between 0.1 Ω and 5.0 Ω .

Features

- Accuracy: 2% at Full Voltage and Load
- Excellent Ripple Rejection: 70 dB @ 1 kHz
- Voltage Detector for Input Voltage
- Voltage Detector for Output Voltage
- Programmable Delay of Reset Signal
- Thermal Short Circuit Protection
- This is a Pb-Free Device

Typical Application

- Small Core and I/O Power
- Consumer Equipment
- Measurement Equipment
- Industrial Equipment

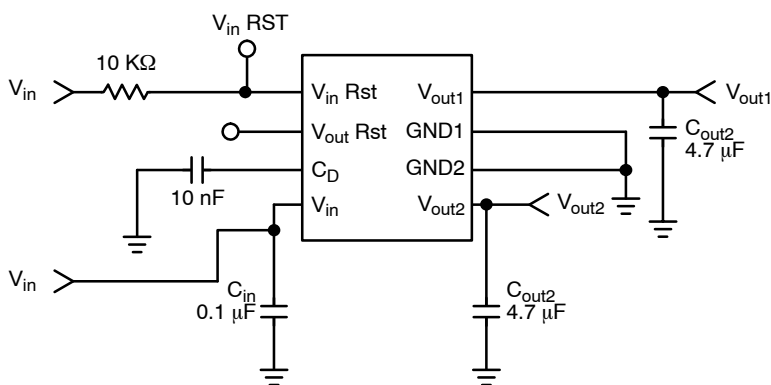


Figure 1. Typical Application Circuit



ON Semiconductor®

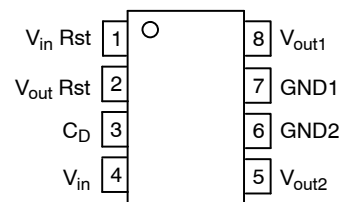
<http://onsemi.com>

MARKING DIAGRAM



- 4672 = Specific Device Code
- A = Assembly Location
- L = Wafer Lot
- Y = Year
- W = Work Week
- = Pb-Free Package

PIN CONFIGURATION



(Top View)

ORDERING INFORMATION

Device	Package	Shipping†
NCP4672DR2G	SOIC-8 (Pb-Free)	2500 Tape & Reel

†For information on tape and reel specifications, including part orientation and tape sizes, please refer to our Tape and Reel Packaging Specifications Brochure, BRD8011/D.

NCP4672

MAXIMUM RATINGS

Rating	Symbol	Value	Unit
Input Voltage	V_{inmax}	-0.3 ~ 18	V
Output Voltage	V_{out}	-0.3 to $V_{in} + 0.3$	V
Output Current 1 Output Current 2	$I_{out1max}$ $I_{out2max}$	30 80	mA mA
Output Short Circuit Duration	-	Infinite	-
Power Dissipation and Thermal Characteristics – SOIC-8 Power Dissipation Thermal Resistance, Junction-to-Ambient Minimum Pad Size 200 mm ² Pad Size (Note 1) Thermal Resistance, Junction-to-Case	P_D $R_{\theta JA}$ $R_{\theta JC}$	Internally Limited 190 160 25	W °C/W °C/W °C/W
Operating Junction Temperature Range	T_{stg}	-40 to 125	°C
Storage Temperature Range	T_{solder}	-55 to 150	°C

Stresses exceeding Maximum Ratings may damage the device. Maximum Ratings are stress ratings only. Functional operation above the Recommended Operating Conditions is not implied. Extended exposure to stresses above the Recommended Operating Conditions may affect device reliability.

1. Refer to Figure 4 for more information.

PIN DESCRIPTION

Pin Number	Symbol	Description
1	$V_{in RST}$	Open-collector, active-low output of the input voltage detector with hysteresis. Threshold levels are typical 7.0 V/ 7.35 V at V_{CC} pin.
2	$V_o RST$	Active-low output of the reset generator. Reset generator is based on sensing of the V_{out1} voltage. Sensing is with hysteresis – threshold levels are typically 2.9 V/ 2.95 V at V_{out1} . Reset is generated at rising edge of the V_{out1} and it's duration is set by external capacitor connected to C_D pin.
3	C_D	Programmable delay of the reset generator. Delay is adjusted by inserting a capacitor between C_D and GND (typically 10 ms for 10 nF capacitor).
4	V_{CC}	Supply Voltage
5	V_{out2}	1.8 V/ 80 mA LDO Regulator Output
6	GND2	Ground for V_{out2} (internally connected with GND1)
7	GND1	Ground for V_{out1} (internally connected with GND2)
8	V_{out1}	3.5 V/30 mA LDO Regulator Output

RECOMMENDED CONDITIONS ($T_A = 25^\circ\text{C}$, $C_{in} = 0.1 \mu\text{F}$ Ceramic, $C_{out} = 4.7 \mu\text{F}$)

Characteristics	Symbol	Min	Typ	Max	Unit
Input Voltage	V_{in}	3.8	12	16	V
Output Current (where V_{out} remains within accuracy)	I_{out1} I_{out2}	0 0	- -	20 70	mA

NCP4672

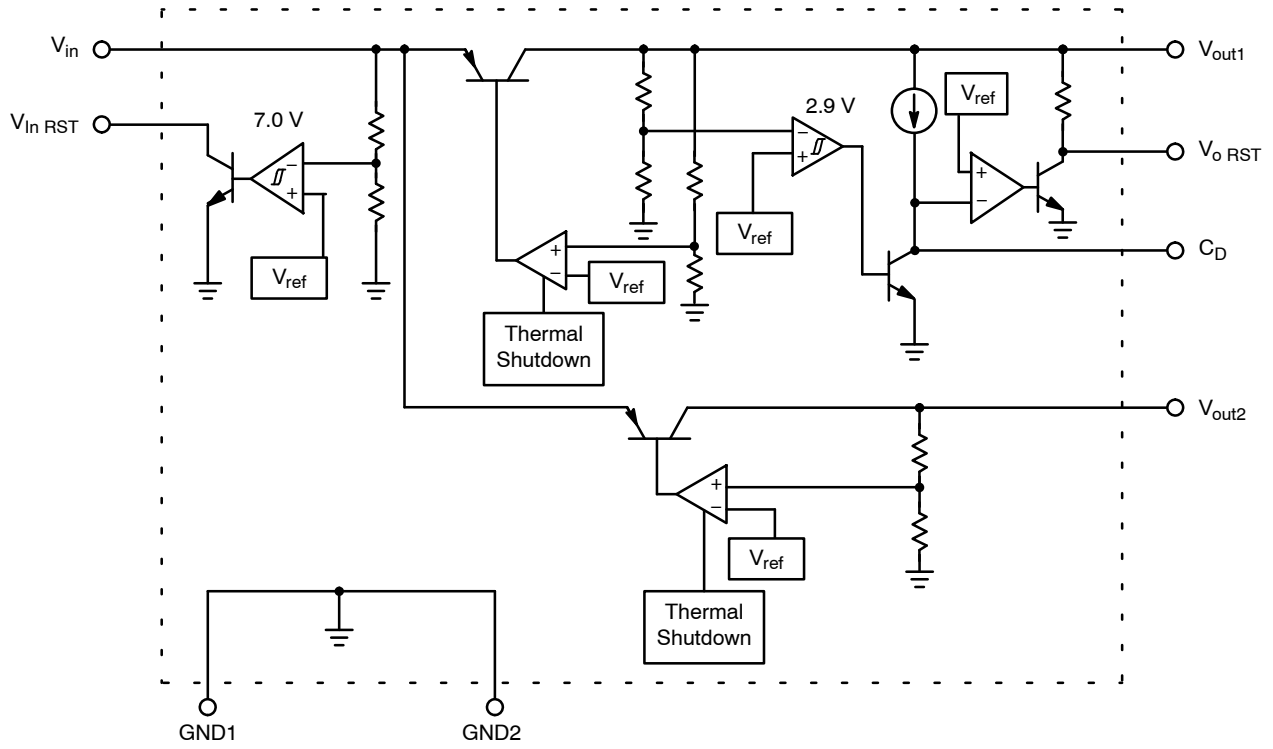


Figure 1.

NCP4672

ELECTRICAL CHARACTERISTICS (C_{in} = 0.1 μF Ceramic, C_{out} = 4.7 μF with ESR = 0.1 – 5.0 Ω, V_{in} = 12 V, T_A = 25°C)

Characteristics	Symbol	Min	Typ	Max	Unit
Output Voltage V _{out1} (V _{in} = 4.5 V, I _{out1} = 20 mA) V _{out2} (V _{in} = 4.5 V, I _{out2} = 40 mA)	V _{adj}	3.43 1.764	3.5 1.8	3.57 1.836	V
Line Regulation V _{out1} (V _{in} = 4.5 V, I _{out1} = 20 mA) V _{out2} (V _{in} = 4.5 V to 10 V, I _{out2} = 40 mA)	Reg _{line}	– –	3.0 3.0	30 30	mV
Load Regulation V _{out1} (V _{in} = 4.5 V, I _{out1} = 0.1 mA to 20 mA) V _{out2} (V _{in} = 4.5 V, I _{out2} = 0.1 mA to 70 mA)	Reg _{load}	– –	3.0 2.0	40 40	mV
Dropout Voltage V _{out1} (V _{in} = 3.3 V, I _{out1} = 20 mA)	V _{in} – V _{out1}	–	150	300	mV
Ground Pin Current (V _{in} = 8.0 V, I _{out1} = I _{out2} = 0 mA) (V _{in} = 2.7 V, I _{out1} = I _{out2} = 0 mA, R _{pu} = infinite)	I _{GND}	– –	1.0 3.0	2.0 –	mA
Short Current Limit V _{out1} V _{out2}	I _{SC}	30 80	60 150	– –	mA
Thermal Shutdown		–	165	–	°C
Temperature Coefficient V _{out1} (T _J = –30 to 85°C, V _{in} = 4.5 V, I _{out1} = 20 mA) V _{out2} (T _J = –30 to 85°C, V _{in} = 4.5 V, I _{out2} = 40 mA)	T _C	– –	100 100	– –	ppm/°C
Ripple Rejection (Note 6) V _{out1} (V _{in} = 4.5 V, V _{ripple} = 1.0 V, I _{out1} = 20 mA, 120 Hz) V _{out2} (V _{in} = 4.5 V, V _{ripple} = 1.0 V, I _{out2} = 40 mA, 120 Hz)	R _R	– –	65 70	– –	dB
Output Noise Voltage V _{out1} (V _{in} = 4.5 V, f = 20 Hz – 80 kHz, I _{out1} = 20 mA) V _{out2} (V _{in} = 4.5 V, f = 20 Hz – 80 kHz, I _{out2} = 40 mA)	V _n	– –	80 50	– –	μV _{rms}

V_{in} Detect

Detecting Voltage L (V _{in} = H to L)	V _{SLin}	6.72	7.0	7.28	V
Detecting Voltage H (V _{in} = L to H)	V _{SHin}	–	7.35	–	V
Hysteresis Voltage (V _{in} = H to L to H)	Δ V _{Sin}	140	350	560	mV
V _{SLin} Temperature Coefficient (T _J = –30°C to +85°C)	V _{SLin} T _C	–	100	–	ppm/°C
Low-Level Output Voltage (V _{in} = 6.0 V, V _{t1} = 5.0 V, R _{t1} = 10 kΩ) (Note 5)	V _{OLin1}	–	100	200	mV
Threshold Operating Voltage (V _{OPLin} = V _{t1} = 1.0 V)	V _{OLin2}	–	–	0.4	V

V_{out} Detect

Detecting Voltage L (V _{in} = H to L)	V _{SLout}	2.78	2.9	3.020	V
Detecting Voltage H (V _{in} = L to H)	V _{SHout}	–	2.95	–	V
Hysteresis Voltage (V _{in} = H to L to H)	Δ V _{Sout}	25	50	100	mV
V _{SLin} Temperature Coefficient (T _J = –30°C to +85°C)	V _{SLin} T _C	–	100	–	ppm/°C
Low-Level Output Voltage (V _{out1} = 2.6 V)	V _{OLout1}	–	100	200	mV
Threshold Operating Voltage (V _{OPLout} = 0.85 V)	V _{OLout2}	–	–	0.4	V
Reset Delay Time (C _D = 10 nF)	t _{PLH}	5	10	15	ms
“L” Transmission Delay Time (C _D = 10 nF)	t _{PHL}	–	30	90	μs

2. This device series contains ESD protection and exceeds the following tests:

Human Body Model 2000 V per MIL-STD-883, Method 3015
Machine Model Method 200 V.

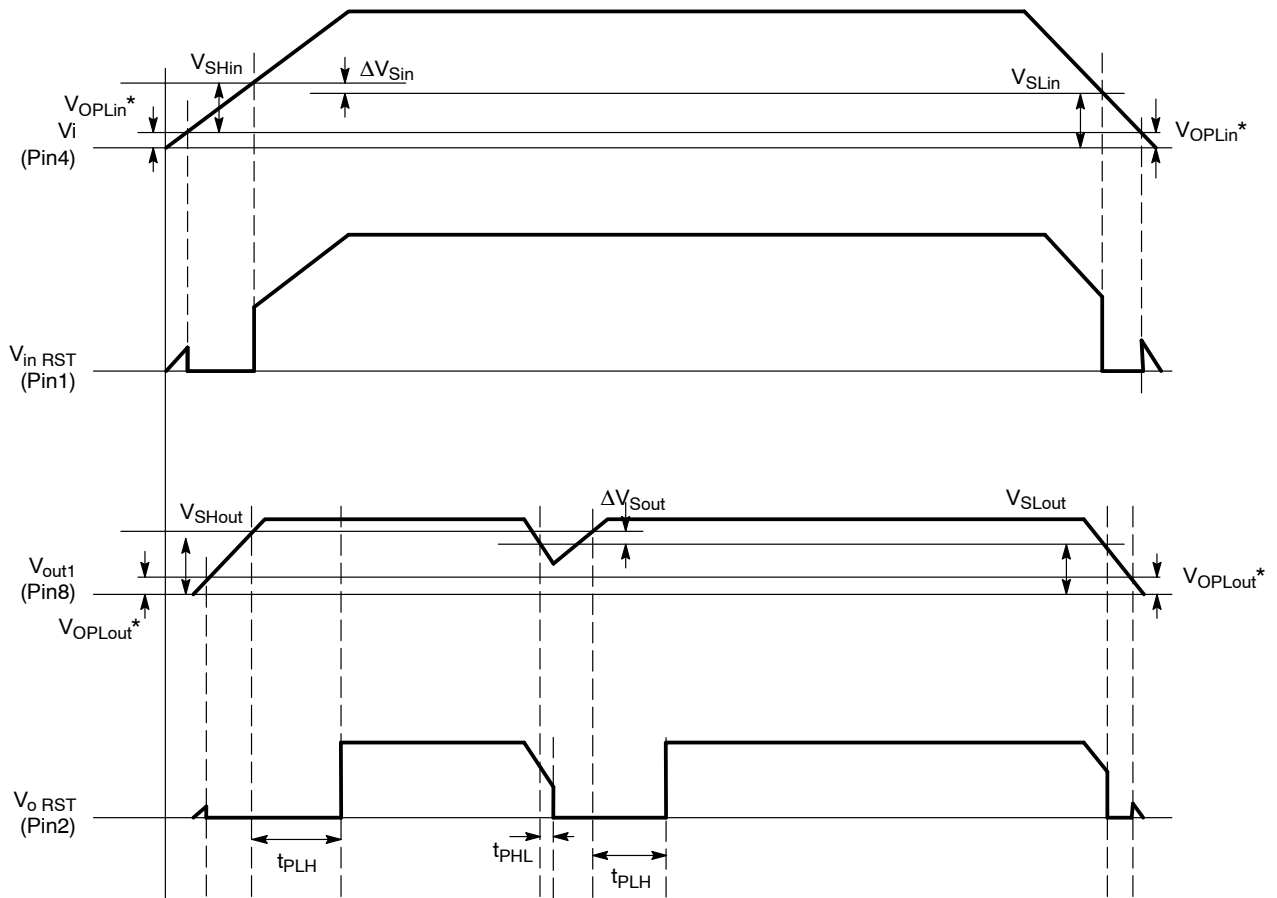
3. The maximum package power dissipation is: $P_D = \frac{T_J(\max) - T_A}{R_{\theta JA}}$

4. Low duty cycle pulse techniques are used during testing to maintain the junction temperature as close to ambient as possible.

5. Refer to Figure 3.

6. Guaranteed by design.

NCP4672



*; V_{OPLin} shows theoretical on this chart.
 V_{OPLin} spec. must be specified on Pin 1 voltage (0.4 V)

*; V_{OPLout} shows theoretical on this chart.
 V_{OPLout} spec. must be specified on Pin 2 voltage (0.4 V)

Figure 2. Dual Regulator Timing

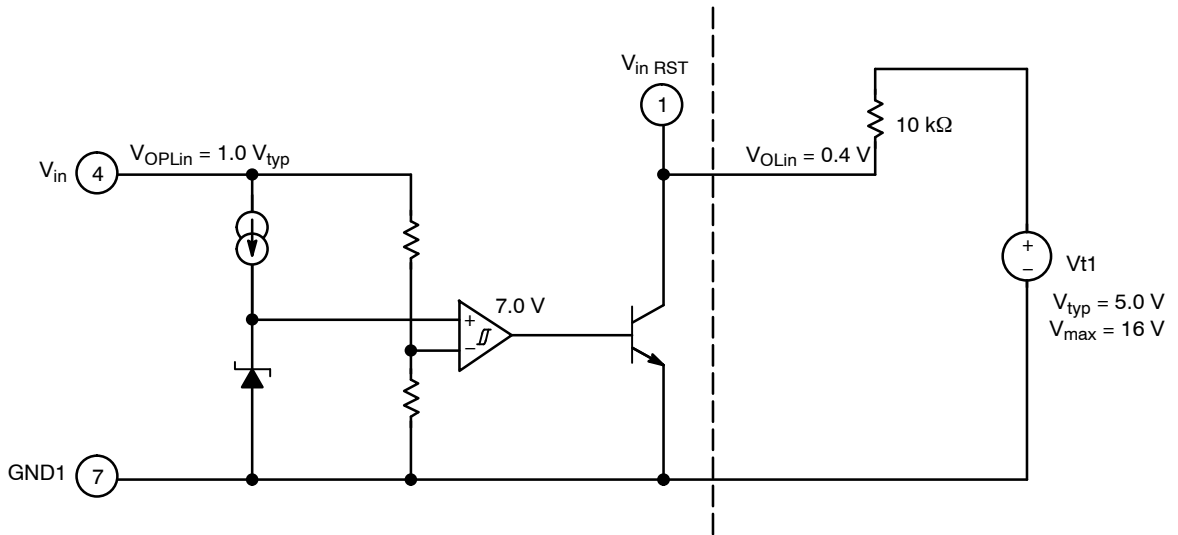


Figure 3. Threshold Operating Voltage V_{OPLin} Under Condition $V_{OLin} = 0.4$ V

NCP4672

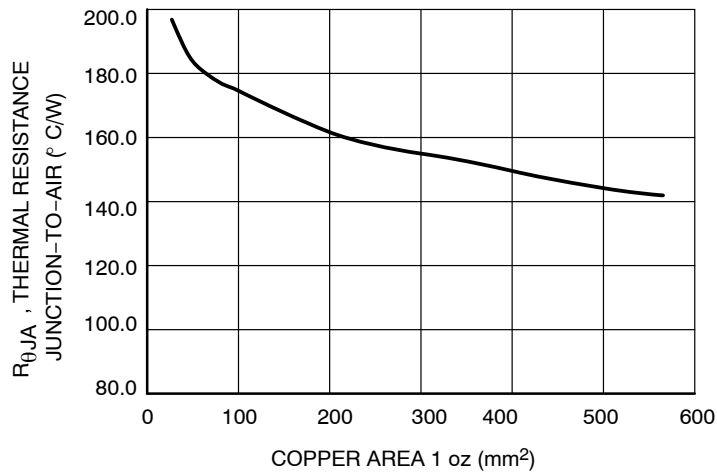


Figure 4. SOP-8 Thermal Resistance versus P.C.B. Copper Area

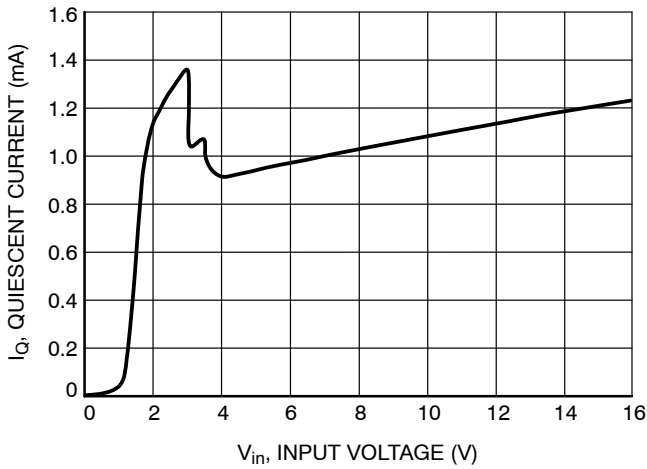


Figure 5. Quiescent Current versus Input Voltage

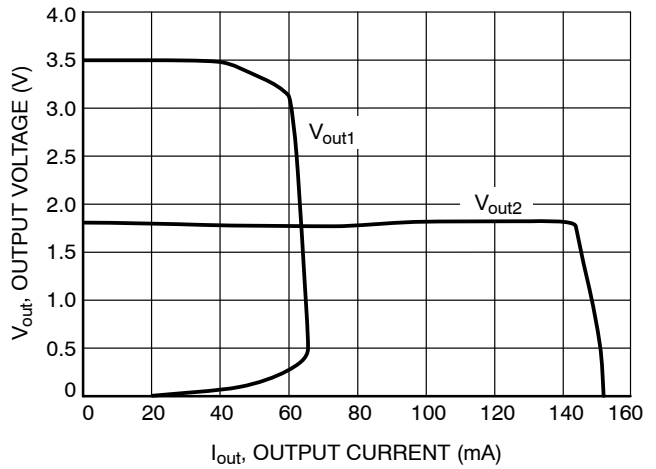


Figure 6. Peak Current Limit

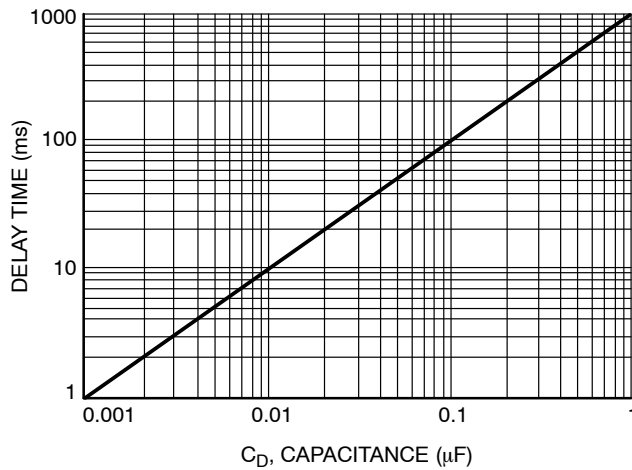


Figure 7. Delay Time versus Capacitance

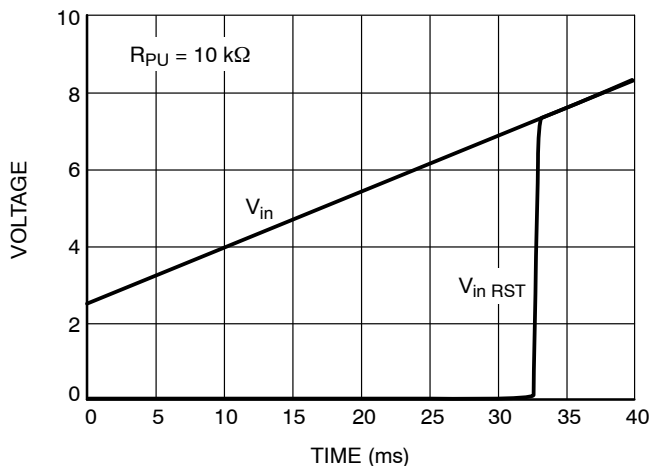


Figure 8. V_{in} and $V_{in RST}$ versus Time

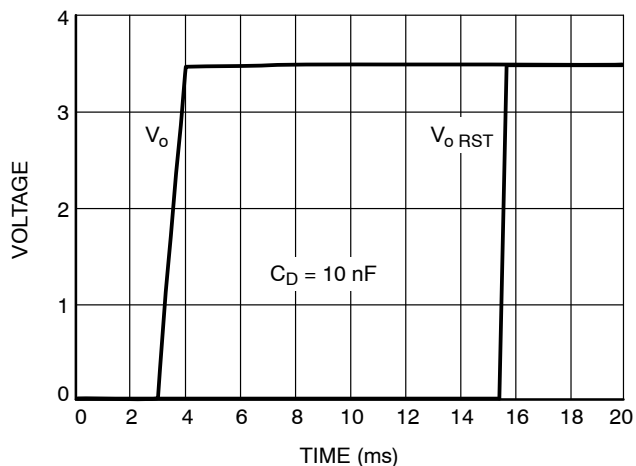


Figure 9. V_o and $V_o RST$ versus Time

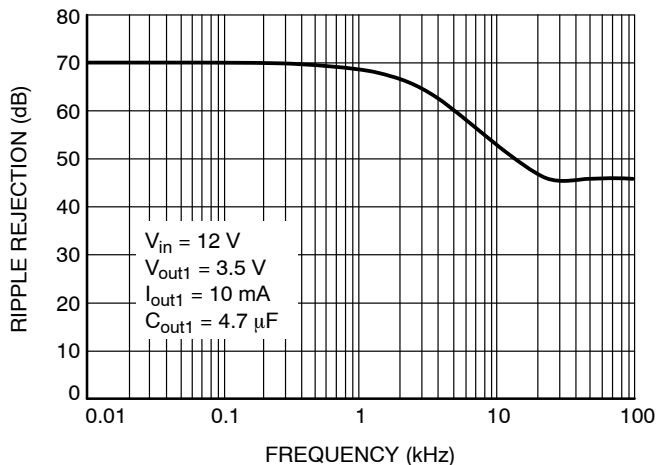


Figure 10. V_{out1} Ripple Rejection

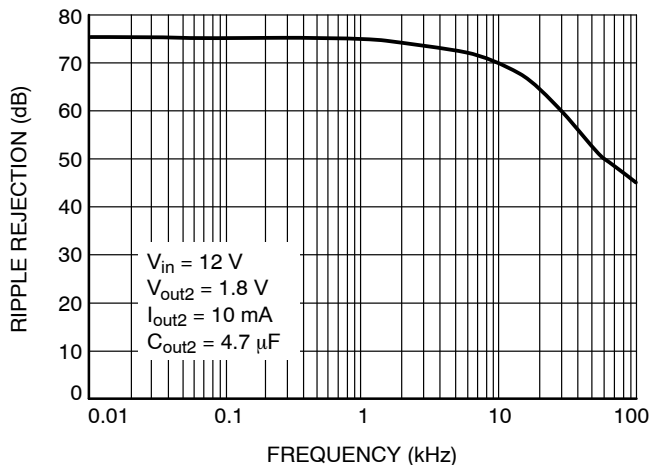


Figure 11. V_{out2} Ripple Rejection

MECHANICAL CASE OUTLINE PACKAGE DIMENSIONS



SCALE 1:1

SOIC-8 NB
CASE 751-07
ISSUE AK

DATE 16 FEB 2011



- NOTES:
1. DIMENSIONING AND TOLERANCING PER ANSI Y14.5M, 1982.
 2. CONTROLLING DIMENSION: MILLIMETER.
 3. DIMENSION A AND B DO NOT INCLUDE MOLD PROTRUSION.
 4. MAXIMUM MOLD PROTRUSION 0.15 (0.006) PER SIDE.
 5. DIMENSION D DOES NOT INCLUDE DAMBAR PROTRUSION. ALLOWABLE DAMBAR PROTRUSION SHALL BE 0.127 (0.005) TOTAL IN EXCESS OF THE D DIMENSION AT MAXIMUM MATERIAL CONDITION.
 6. 751-01 THRU 751-06 ARE OBSOLETE. NEW STANDARD IS 751-07.

DIM	MILLIMETERS		INCHES	
	MIN	MAX	MIN	MAX
A	4.80	5.00	0.189	0.197
B	3.80	4.00	0.150	0.157
C	1.35	1.75	0.053	0.069
D	0.33	0.51	0.013	0.020
G	1.27 BSC		0.050 BSC	
H	0.10	0.25	0.004	0.010
J	0.19	0.25	0.007	0.010
K	0.40	1.27	0.016	0.050
M	0°	8°	0°	8°
N	0.25	0.50	0.010	0.020
S	5.80	6.20	0.228	0.244

SOLDERING FOOTPRINT*



*For additional information on our Pb-Free strategy and soldering details, please download the ON Semiconductor Soldering and Mounting Techniques Reference Manual, SOLDERRM/D.

GENERIC MARKING DIAGRAM*



XXXXXX = Specific Device Code
 A = Assembly Location
 L = Wafer Lot
 Y = Year
 W = Work Week
 ■ = Pb-Free Package

XXXXXX = Specific Device Code
 A = Assembly Location
 Y = Year
 WW = Work Week
 ■ = Pb-Free Package

*This information is generic. Please refer to device data sheet for actual part marking. Pb-Free indicator, "G" or microdot "•", may or may not be present. Some products may not follow the Generic Marking.

STYLES ON PAGE 2

DOCUMENT NUMBER:	98ASB42564B	Electronic versions are uncontrolled except when accessed directly from the Document Repository. Printed versions are uncontrolled except when stamped "CONTROLLED COPY" in red.
DESCRIPTION:	SOIC-8 NB	PAGE 1 OF 2

onsemi and ONsemi are trademarks of Semiconductor Components Industries, LLC dba onsemi or its subsidiaries in the United States and/or other countries. onsemi reserves the right to make changes without further notice to any products herein. onsemi makes no warranty, representation or guarantee regarding the suitability of its products for any particular purpose, nor does onsemi assume any liability arising out of the application or use of any product or circuit, and specifically disclaims any and all liability, including without limitation special, consequential or incidental damages. onsemi does not convey any license under its patent rights nor the rights of others.

SOIC-8 NB
CASE 751-07
ISSUE AK

DATE 16 FEB 2011

- | | | | |
|---|--|--|--|
| <p>STYLE 1:
 PIN 1. EMITTER
 2. COLLECTOR
 3. COLLECTOR
 4. EMITTER
 5. EMITTER
 6. BASE
 7. BASE
 8. EMITTER</p> | <p>STYLE 2:
 PIN 1. COLLECTOR, DIE, #1
 2. COLLECTOR, #1
 3. COLLECTOR, #2
 4. COLLECTOR, #2
 5. BASE, #2
 6. EMITTER, #2
 7. BASE, #1
 8. EMITTER, #1</p> | <p>STYLE 3:
 PIN 1. DRAIN, DIE #1
 2. DRAIN, #1
 3. DRAIN, #2
 4. DRAIN, #2
 5. GATE, #2
 6. SOURCE, #2
 7. GATE, #1
 8. SOURCE, #1</p> | <p>STYLE 4:
 PIN 1. ANODE
 2. ANODE
 3. ANODE
 4. ANODE
 5. ANODE
 6. ANODE
 7. ANODE
 8. COMMON CATHODE</p> |
| <p>STYLE 5:
 PIN 1. DRAIN
 2. DRAIN
 3. DRAIN
 4. DRAIN
 5. GATE
 6. GATE
 7. SOURCE
 8. SOURCE</p> | <p>STYLE 6:
 PIN 1. SOURCE
 2. DRAIN
 3. DRAIN
 4. SOURCE
 5. SOURCE
 6. GATE
 7. GATE
 8. SOURCE</p> | <p>STYLE 7:
 PIN 1. INPUT
 2. EXTERNAL BYPASS
 3. THIRD STAGE SOURCE
 4. GROUND
 5. DRAIN
 6. GATE 3
 7. SECOND STAGE Vd
 8. FIRST STAGE Vd</p> | <p>STYLE 8:
 PIN 1. COLLECTOR, DIE #1
 2. BASE, #1
 3. BASE, #2
 4. COLLECTOR, #2
 5. COLLECTOR, #2
 6. EMITTER, #2
 7. EMITTER, #1
 8. COLLECTOR, #1</p> |
| <p>STYLE 9:
 PIN 1. EMITTER, COMMON
 2. COLLECTOR, DIE #1
 3. COLLECTOR, DIE #2
 4. EMITTER, COMMON
 5. EMITTER, COMMON
 6. BASE, DIE #2
 7. BASE, DIE #1
 8. EMITTER, COMMON</p> | <p>STYLE 10:
 PIN 1. GROUND
 2. BIAS 1
 3. OUTPUT
 4. GROUND
 5. GROUND
 6. BIAS 2
 7. INPUT
 8. GROUND</p> | <p>STYLE 11:
 PIN 1. SOURCE 1
 2. GATE 1
 3. SOURCE 2
 4. GATE 2
 5. DRAIN 2
 6. DRAIN 2
 7. DRAIN 1
 8. DRAIN 1</p> | <p>STYLE 12:
 PIN 1. SOURCE
 2. SOURCE
 3. SOURCE
 4. GATE
 5. DRAIN
 6. DRAIN
 7. DRAIN
 8. DRAIN</p> |
| <p>STYLE 13:
 PIN 1. N.C.
 2. SOURCE
 3. SOURCE
 4. GATE
 5. DRAIN
 6. DRAIN
 7. DRAIN
 8. DRAIN</p> | <p>STYLE 14:
 PIN 1. N-SOURCE
 2. N-GATE
 3. P-SOURCE
 4. P-GATE
 5. P-DRAIN
 6. P-DRAIN
 7. N-DRAIN
 8. N-DRAIN</p> | <p>STYLE 15:
 PIN 1. ANODE 1
 2. ANODE 1
 3. ANODE 1
 4. ANODE 1
 5. CATHODE, COMMON
 6. CATHODE, COMMON
 7. CATHODE, COMMON
 8. CATHODE, COMMON</p> | <p>STYLE 16:
 PIN 1. EMITTER, DIE #1
 2. BASE, DIE #1
 3. EMITTER, DIE #2
 4. BASE, DIE #2
 5. COLLECTOR, DIE #2
 6. COLLECTOR, DIE #2
 7. COLLECTOR, DIE #1
 8. COLLECTOR, DIE #1</p> |
| <p>STYLE 17:
 PIN 1. VCC
 2. V2OUT
 3. V1OUT
 4. TXE
 5. RXE
 6. VEE
 7. GND
 8. ACC</p> | <p>STYLE 18:
 PIN 1. ANODE
 2. ANODE
 3. SOURCE
 4. GATE
 5. DRAIN
 6. DRAIN
 7. CATHODE
 8. CATHODE</p> | <p>STYLE 19:
 PIN 1. SOURCE 1
 2. GATE 1
 3. SOURCE 2
 4. GATE 2
 5. DRAIN 2
 6. MIRROR 2
 7. DRAIN 1
 8. MIRROR 1</p> | <p>STYLE 20:
 PIN 1. SOURCE (N)
 2. GATE (N)
 3. SOURCE (P)
 4. GATE (P)
 5. DRAIN
 6. DRAIN
 7. DRAIN
 8. DRAIN</p> |
| <p>STYLE 21:
 PIN 1. CATHODE 1
 2. CATHODE 2
 3. CATHODE 3
 4. CATHODE 4
 5. CATHODE 5
 6. COMMON ANODE
 7. COMMON ANODE
 8. CATHODE 6</p> | <p>STYLE 22:
 PIN 1. I/O LINE 1
 2. COMMON CATHODE/VCC
 3. COMMON CATHODE/VCC
 4. I/O LINE 3
 5. COMMON ANODE/GND
 6. I/O LINE 4
 7. I/O LINE 5
 8. COMMON ANODE/GND</p> | <p>STYLE 23:
 PIN 1. LINE 1 IN
 2. COMMON ANODE/GND
 3. COMMON ANODE/GND
 4. LINE 2 IN
 5. LINE 2 OUT
 6. COMMON ANODE/GND
 7. COMMON ANODE/GND
 8. LINE 1 OUT</p> | <p>STYLE 24:
 PIN 1. BASE
 2. EMITTER
 3. COLLECTOR/ANODE
 4. COLLECTOR/ANODE
 5. CATHODE
 6. CATHODE
 7. COLLECTOR/ANODE
 8. COLLECTOR/ANODE</p> |
| <p>STYLE 25:
 PIN 1. VIN
 2. N/C
 3. REXT
 4. GND
 5. IOUT
 6. IOUT
 7. IOUT
 8. IOUT</p> | <p>STYLE 26:
 PIN 1. GND
 2. dv/dt
 3. ENABLE
 4. ILIMIT
 5. SOURCE
 6. SOURCE
 7. SOURCE
 8. VCC</p> | <p>STYLE 27:
 PIN 1. ILIMIT
 2. OVLO
 3. UVLO
 4. INPUT+
 5. SOURCE
 6. SOURCE
 7. SOURCE
 8. DRAIN</p> | <p>STYLE 28:
 PIN 1. SW_TO_GND
 2. DASIC_OFF
 3. DASIC_SW_DET
 4. GND
 5. V_MON
 6. VBULK
 7. VBULK
 8. VIN</p> |
| <p>STYLE 29:
 PIN 1. BASE, DIE #1
 2. EMITTER, #1
 3. BASE, #2
 4. EMITTER, #2
 5. COLLECTOR, #2
 6. COLLECTOR, #2
 7. COLLECTOR, #1
 8. COLLECTOR, #1</p> | <p>STYLE 30:
 PIN 1. DRAIN 1
 2. DRAIN 1
 3. GATE 2
 4. SOURCE 2
 5. SOURCE 1/DRAIN 2
 6. SOURCE 1/DRAIN 2
 7. SOURCE 1/DRAIN 2
 8. GATE 1</p> | | |

DOCUMENT NUMBER:	98ASB42564B	Electronic versions are uncontrolled except when accessed directly from the Document Repository. Printed versions are uncontrolled except when stamped "CONTROLLED COPY" in red.
DESCRIPTION:	SOIC-8 NB	PAGE 2 OF 2

onsemi and **ONSEMI** are trademarks of Semiconductor Components Industries, LLC dba **onsemi** or its subsidiaries in the United States and/or other countries. **onsemi** reserves the right to make changes without further notice to any products herein. **onsemi** makes no warranty, representation or guarantee regarding the suitability of its products for any particular purpose, nor does **onsemi** assume any liability arising out of the application or use of any product or circuit, and specifically disclaims any and all liability, including without limitation special, consequential or incidental damages. **onsemi** does not convey any license under its patent rights nor the rights of others.

onsemi, **Onsemi**, and other names, marks, and brands are registered and/or common law trademarks of Semiconductor Components Industries, LLC dba "**onsemi**" or its affiliates and/or subsidiaries in the United States and/or other countries. **onsemi** owns the rights to a number of patents, trademarks, copyrights, trade secrets, and other intellectual property. A listing of **onsemi**'s product/patent coverage may be accessed at www.onsemi.com/site/pdf/Patent-Marking.pdf. **onsemi** reserves the right to make changes at any time to any products or information herein, without notice. The information herein is provided "as-is" and **onsemi** makes no warranty, representation or guarantee regarding the accuracy of the information, product features, availability, functionality, or suitability of its products for any particular purpose, nor does **onsemi** assume any liability arising out of the application or use of any product or circuit, and specifically disclaims any and all liability, including without limitation special, consequential or incidental damages. Buyer is responsible for its products and applications using **onsemi** products, including compliance with all laws, regulations and safety requirements or standards, regardless of any support or applications information provided by **onsemi**. "Typical" parameters which may be provided in **onsemi** data sheets and/or specifications can and do vary in different applications and actual performance may vary over time. All operating parameters, including "Typicals" must be validated for each customer application by customer's technical experts. **onsemi** does not convey any license under any of its intellectual property rights nor the rights of others. **onsemi** products are not designed, intended, or authorized for use as a critical component in life support systems or any FDA Class 3 medical devices or medical devices with a same or similar classification in a foreign jurisdiction or any devices intended for implantation in the human body. Should Buyer purchase or use **onsemi** products for any such unintended or unauthorized application, Buyer shall indemnify and hold **onsemi** and its officers, employees, subsidiaries, affiliates, and distributors harmless against all claims, costs, damages, and expenses, and reasonable attorney fees arising out of, directly or indirectly, any claim of personal injury or death associated with such unintended or unauthorized use, even if such claim alleges that **onsemi** was negligent regarding the design or manufacture of the part. **onsemi** is an Equal Opportunity/Affirmative Action Employer. This literature is subject to all applicable copyright laws and is not for resale in any manner.

PUBLICATION ORDERING INFORMATION

LITERATURE FULFILLMENT:

Email Requests to: orderlit@onsemi.com

onsemi Website: www.onsemi.com

TECHNICAL SUPPORT

North American Technical Support:

Voice Mail: 1 800-282-9855 Toll Free USA/Canada

Phone: 011 421 33 790 2910

Europe, Middle East and Africa Technical Support:

Phone: 00421 33 790 2910

For additional information, please contact your local Sales Representative