

Amphenol Canada Corp - Product Change Notice (PCN)

PCN Date	March 14, 2017
Supplier Name:	Amphenol Canada Corp.
Amphenol Canada PCN Number	PCN-C1298
Description of Change	Change the single port shield current surface finish from unplated stainless steel shield with tin dipping on PCB tails to shield plated with nickel underplating & selective matte tin plating on PCB tails.
Reason for Change	To improve the consistency of the tin application to grounding tabs
Summary of changes between new and old part	The shield plating and the PCB tails tin dipping feature changed; it does not affect the overall form/fit/ function of the connector.
Traceability guidelines (lot code / date code, markings, ship date...)	The new product will be controlled by date code after confirmed the new sample; Expected to cut in during date code 1725.
Last Time Buy Date	N/A
Datasheet attached? & Filename(s)	RJHSE-538X-REVP, RJHSE-548X-REVJ, RJHSE-5E8X-REVB, RJHSE-5F8X-REVD RJHSE-GF8X-REVC, RJHSE-J48X-01X-REVB
Qual Test data attached? & Filename(s)	TR9240704

Customer Part Number	Amphenol Old Part Number	Amphenol New Part Number	PCN Effectivity Date	Samples Availability Date	Last Time Buy Date	Expected Supplier Qual Date
	RJHSE-538X	NO CHANGE	17-Jun-17	17-Mar-17	N/A	
	RJHSE-548X	NO CHANGE	17-Jun-17	17-Mar-17	N/A	
	RJHSE-5E8X	NO CHANGE	17-Jun-17	17-Mar-17	N/A	
	RJHSE-5F8X	NO CHANGE	17-Jun-17	17-Mar-17	N/A	
	RJHSE-GF8X	NO CHANGE	17-Jun-17	17-Mar-17	N/A	
	RJHSE-J48X-01X	NO CHANGE	17-Jun-17	17-Mar-17	N/A	

Before changed

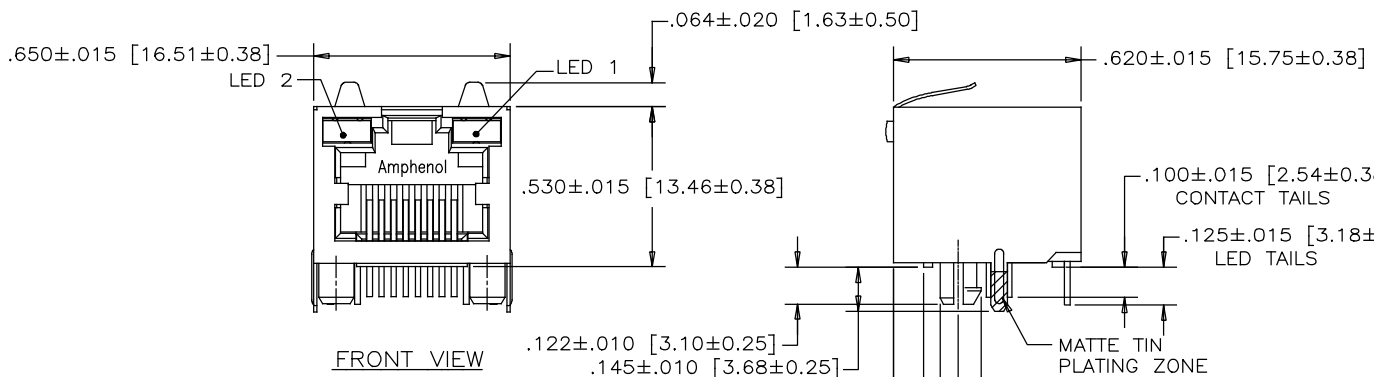


Tin dipping on PCB tails

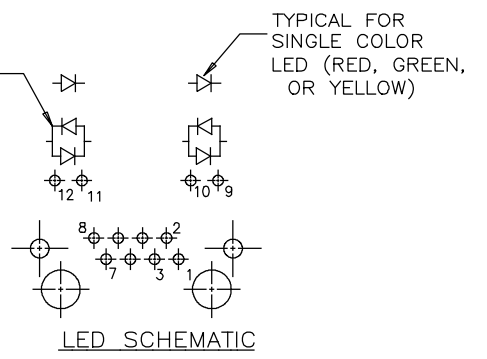
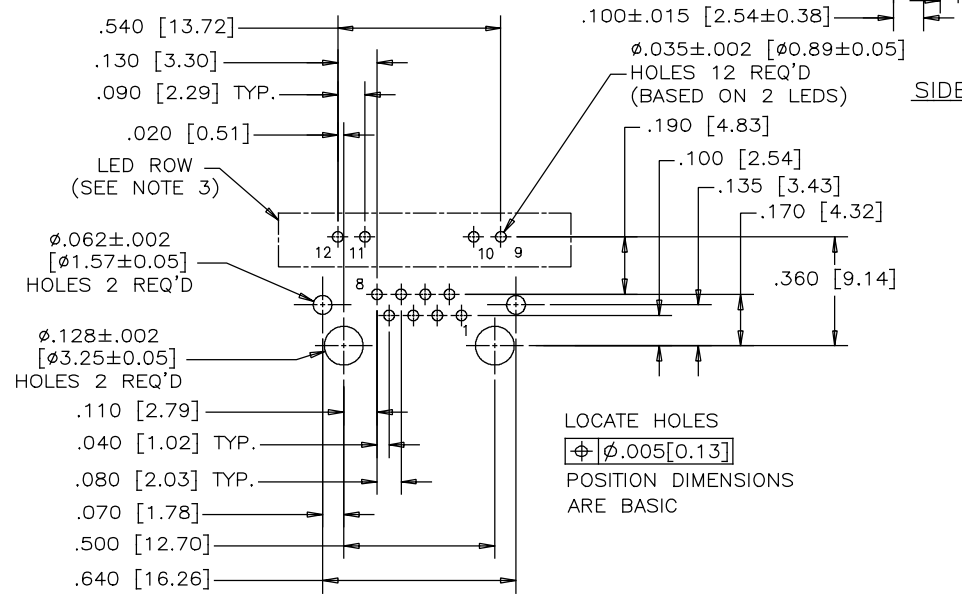
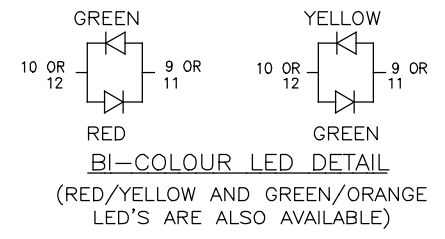
After changed



Plated with nickel underplating & selective matte tin plating on PCB tails



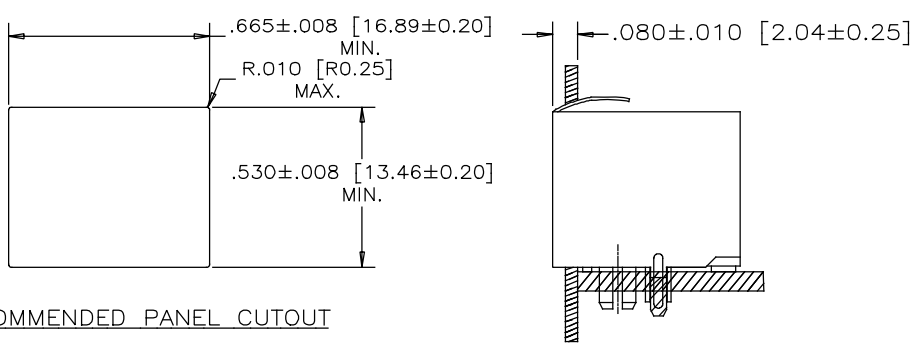
REVISIONS				
SYM	ZONE	ECN, ERN NO.	DATE	APPRD.
M		ADD DIMENSIONS	MAY14/15	L.CHAN
N		ADD SIDE VIEW FOR PANEL	SEP26/16	L.CHAN
P		CHANGE SHIELD PCB TAIL PLATING	MAR17/17	L.CHAN



- NOTES:
- MATERIALS:**
 PLASTIC HOUSING: HIGH TEMPERATURE THERMOPLASTIC
 FLAMMABILITY RATING UL 94V-0, COLOUR: BLACK

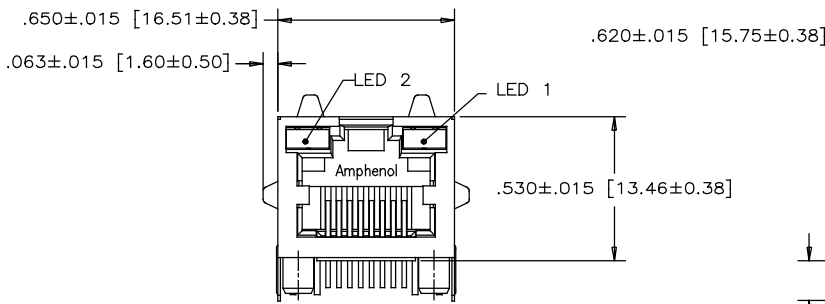
 CONTACTS: PHOSPHOR BRONZE
 PLATING: 50 μ" [1.27 MICRONS]
 MIN. GOLD ON MATING SURFACES.
 50 μ" [1.27 MICRONS]
 MIN. NICKEL UNDERPLATE
 100 μ" [2.54 MICRONS]
 MIN. MATTE TIN ON CONTACT TAILS.

 SHIELD: STAINLESS STEEL WITH MATTE TIN PLATING ON SOLDER TAIL
 - RECOMMENDED SOLDERING TEMPERATURE:**
 WAVE SOLDERING AT 260°C MAXIMUM FOR 5 SEC MAXIMUM.
 - P.C.B. HOLE LAYOUT:**
 AMPHENOL PART NUMBER RJHSE-538X P.C.B LAYOUT LED HOLES ARE OPTIONAL.
 - PART NUMBER:** RJHSE-538X
 REFER TO LED OPTIONS DRAWING FOR ORDERING CODES

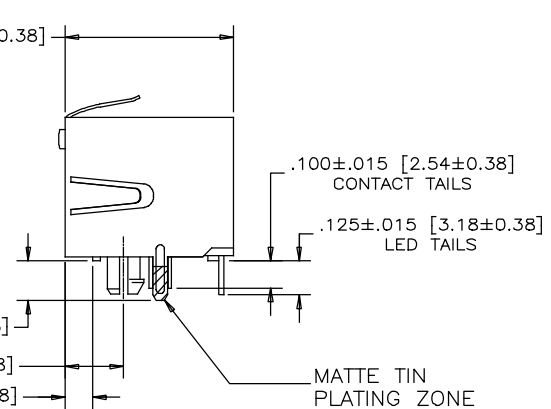


DRAWN PAULW	DATE APR13/06	Amphenol Canada Corp.
DESIGNED		
CHECKED CH/GOW	APR13/06	TITLE
I. E. APPRD.		HIGH SPEED, RJ45, MODULAR JACK,
Q. A. APPRD.		8 POSITION, 8 CONTACTS,
DWG. APPRD.		SHIELDED, WITH LEDs - RoHS COMPLIANT
ENG. REL. NO.		DWG DRAWING NO.
REF.		P-RJHSE-538X
DIMENSIONS ARE IN INCHES [mm]	CODE ID. NO 03554	SCALE
		WT. _____ SURF. _____ SHEET 1 OF 1

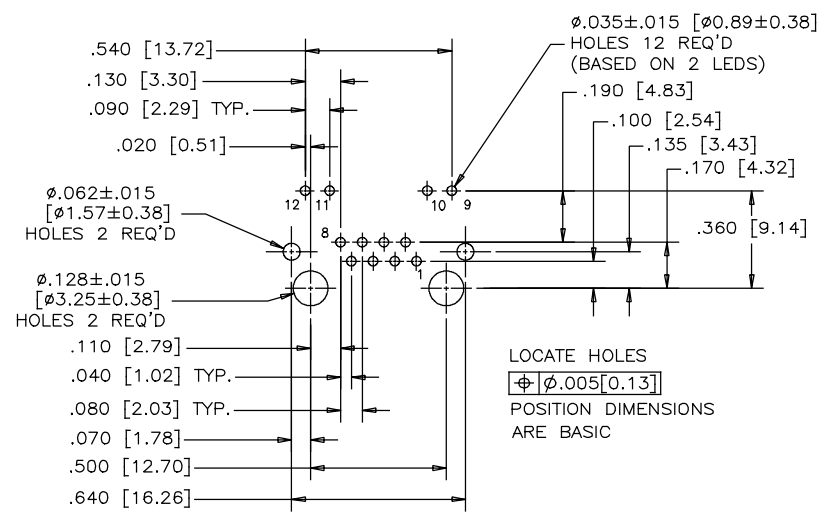
THIS DOCUMENT CONTAINS PROPRIETARY INFORMATION AND SUCH INFORMATION MAY NOT BE DISCLOSED TO OTHERS FOR ANY PURPOSE OR USED FOR MANUFACTURING PURPOSES WITHOUT WRITTEN PERMISSION FROM AMPHENOL CANADA CORP.



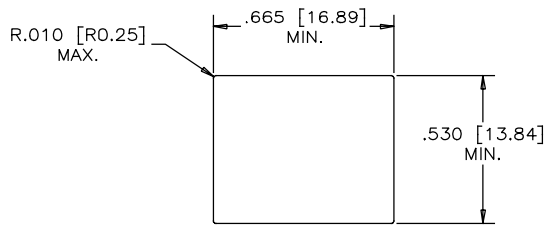
FRONT VIEW



SIDE VIEW

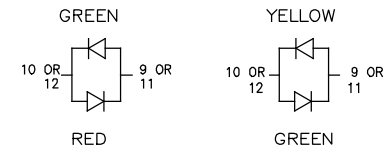


RECOMMENDED P.C.B. LAYOUT
(COMPONENT SIDE OF BOARD)

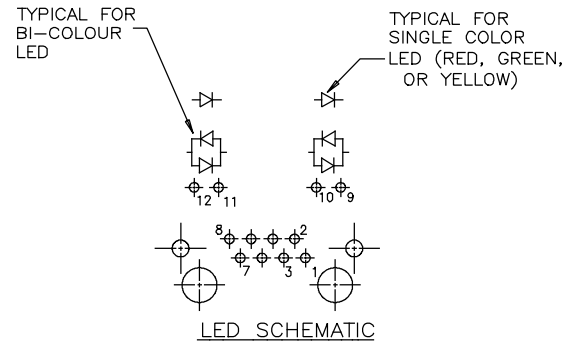


RECOMMENDED PANEL CUTOUT

REVISIONS			
REV	DESCRIPTION, ECN, EAR NO.	DATE	APP'D
G	UPDATED DIMENSIONS OF PANEL	OCT07/14	L.CHAN
H	UPDATED LED OPTION DRAWING	DEC10/15	L.CHAN
J	CHANGE SHIELD PCB TAIL PLATING	MAR17/17	L.CHAN



BI-COLOUR LED DETAIL
(RED/YELLOW AND GREEN/ORANGE LED'S ARE ALSO AVAILABLE)



1. MATERIALS:
 PLASTIC HOUSING: HIGH TEMPERATURE THERMOPLASTIC
 FLAMMABILITY RATING UL 94V-0
- CONTACTS: PHOSPHOR BRONZE
 PLATING: 50 μ" [1.27 MICRONS]
 MIN. GOLD ON MATING SURFACES.
 50 μ" [1.27 MICRONS]
 MIN. NICKEL UNDERPLATE
 100 μ" [2.54 MICRONS]
 MIN. MATTE TIN ON CONTACT TAILS.
- SHIELD: STAINLESS STEEL WITH MATTE TIN ON SOLDER TAIL

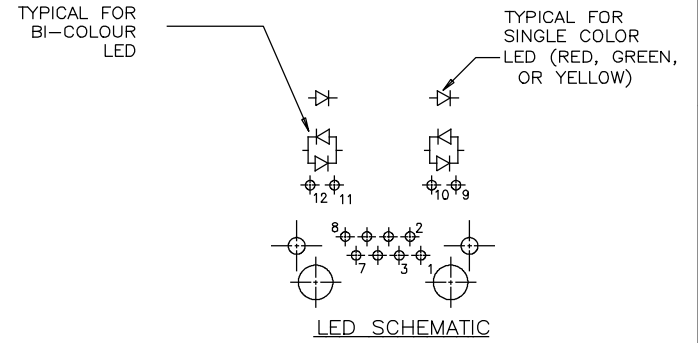
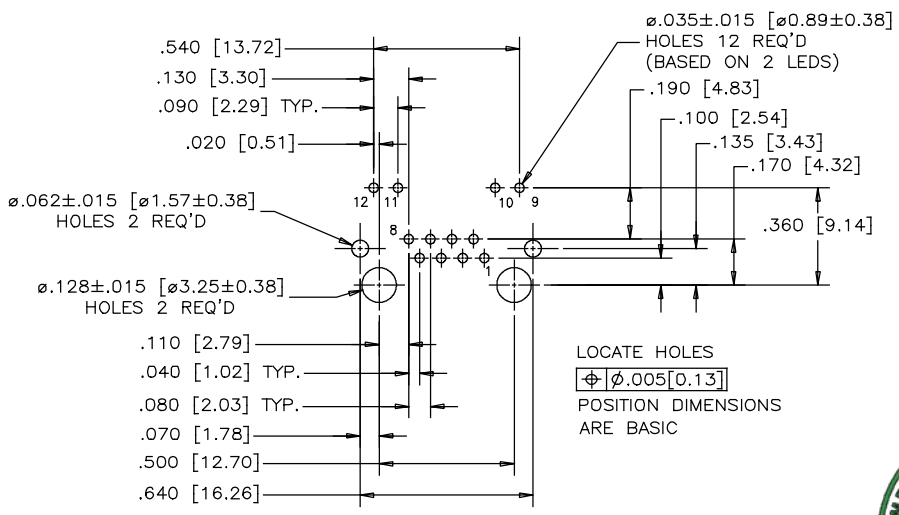
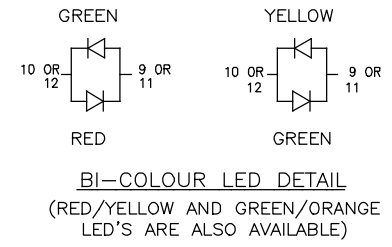
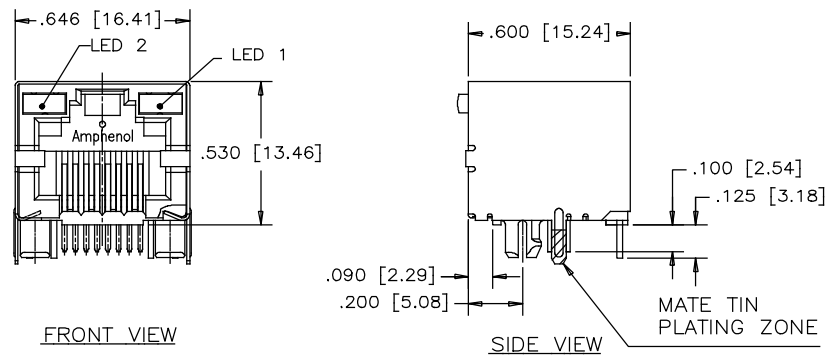


PART NUMBER: RJHSE-548X

REFER TO LED OPTIONS DRAWING FOR ORDERING CODES

UNLESS SPECIFIED OTHERWISE		DRAWN PWANG	DATE APR24/06	Amphenol Canada Corp. www.amphenolcanada.com
PRIMARY UNITS INCH	CHECKED CHIGOW	DATE APR24/06	TITLE	
SECONDARY MILLIMETER	M.E. APP'D		HIGH SPEED, RJ45, MODULAR JACK, 8 POSITION, 8 CONTACTS, SHIELDED, WITH LEDs - RoHS COMPLIANT	
REFERENCE IN PARENTHESES	Q.A. APP'D		DWG. NO.	
GENERAL TOLERANCES	DWG APPR.		P-RJHSE-548X	
1 DECIMAL PLACE ±0.025	ENG. REL. NO.		REF.	
2 DECIMAL PLACES ±0.020	REF.		DO NOT SCALE DRAWING	
3 DECIMAL PLACES ±0.015	THIRD ANGLE PROJECTION		CODE ID NO. 03554 DWG SIZE: C SCALE: N/A SHEET 1 OF 1	
ANGULAR DEGREES ±1.0°				

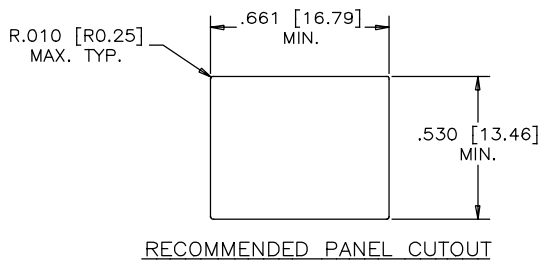
REVISIONS			
REV	DESCRIPTION, ECN, EAR NO.	DATE	APP'D
A	PROPOSAL DRAWING	JAN10/07	L.CHAN
B	CHANGE SHIELD PCB TAIL PLATING	MAR17/17	L.CHAN



1. **MATERIALS:**
 PLASTIC HOUSING: HIGH TEMPERATURE THERMOPLASTIC
 FLAMMABILITY RATING UL 94V-0
- CONTACTS: PHOSPHOR BRONZE
 PLATING: 50 μ" [1.27 MICRONS]
 MIN. GOLD ON MATING SURFACES.
 50 μ" [1.27 MICRONS]
 MIN. NICKEL UNDERPLATE
 100 μ" [2.54 MICRONS]
 MIN. MATTE TIN ON CONTACT TAILS.
- SHIELD: STAINLESS STEEL WITH MATTE TIN PLATING ON SOLDER TAIL



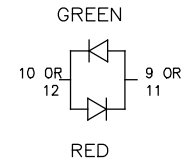
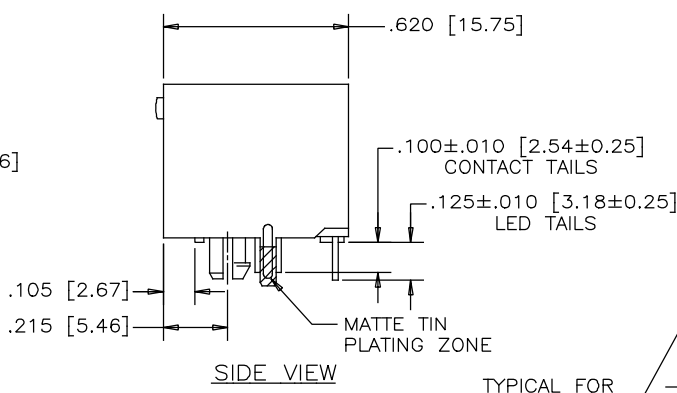
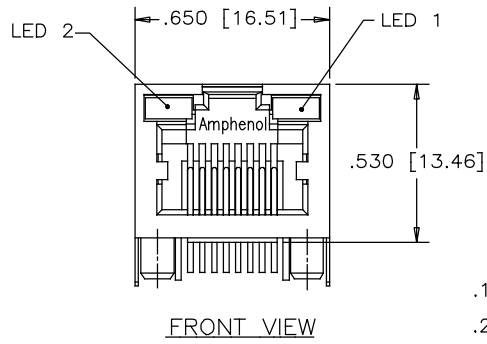
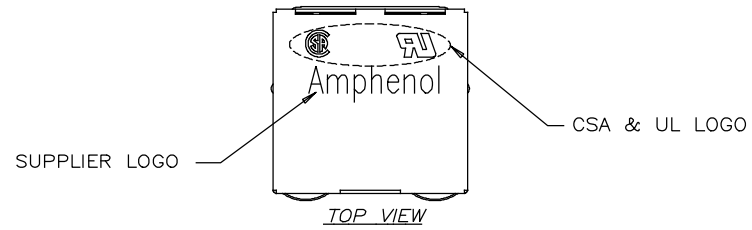
PART NUMBER: RJHSE-5E8X
 REFER TO LED OPTIONS DRAWING FOR ORDERING CODES



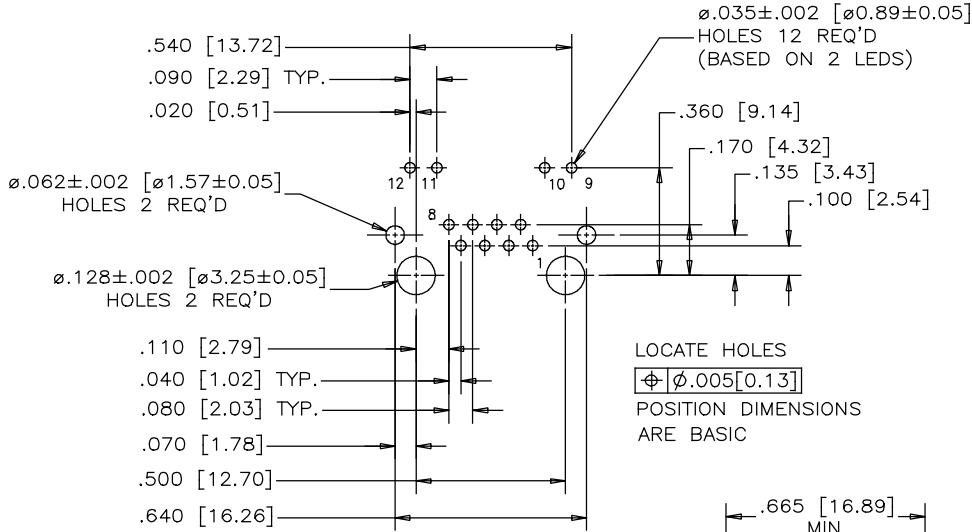
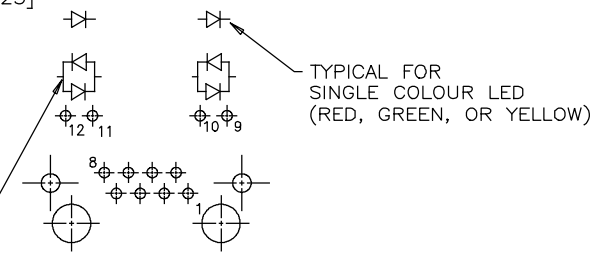
UNLESS SPECIFIED OTHERWISE		DRAWN JACK WANG	DATE JAN 10/07	Amphenol Canada Corp. www.amphenolcanada.com	
PRIMARY UNITS INCH	CHECKED CHIGOW	JAN 10/07		TITLE	
SECONDARY MILLIMETER	M.E. APP'D			HIGH SPEED RJ45 SINGLE-PORT CONNECTOR WITH LED'S AND SHIELD (OPEN FRONT, WITHOUT TABS)	
REFERENCE IN PARENTHESES	Q.A. APP'D			DWG. NO. P-RJHSE-5E8X	
GENERAL TOLERANCES	DWG APPR.			REF. REV B	
1 DECIMAL PLACE ±0.025	ENG. REL. NO.			CODE ID NO. 03554 DWG SIZE: C SCALE: N/A SHEET 1 OF 1	
2 DECIMAL PLACES ±0.020	REF.				
3 DECIMAL PLACES ±0.015	THIRD ANGLE PROJECTION				
ANGULAR DEGREES ±1.0°	DO NOT SCALE DRAWING				

THIS DOCUMENT CONTAINS PROPRIETARY INFORMATION AND SUCH INFORMATION MAY NOT BE DISCLOSED TO OTHERS FOR ANY PURPOSE OR USED FOR MANUFACTURING PURPOSES WITHOUT WRITTEN PERMISSION FROM AMPHENOL CANADA CORP.

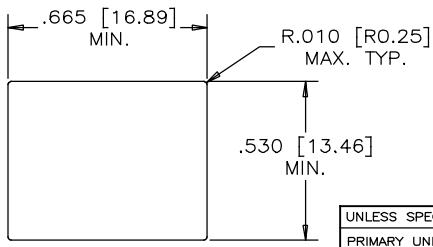
REVISIONS			
REV	DESCRIPTION, ECN, EAR NO.	DATE	APP'D
A	PROPOSAL	JUN13/06	L.CHAN
B	PROPOSAL	FEB21/12	L.CHAN
C	PROPOSAL	NOV22/13	L.CHAN
D	CHANGE SHIELD PCB TAIL PLATING	MAR17/17	L.CHAN



BI-COLOUR LED DETAIL
(YELLOW/GREEN, RED/YELLOW AND GREEN/ORANGE LED'S ARE ALSO AVAILABLE)



MATERIALS:
PLASTIC HOUSING: HIGH TEMPERATURE ENGINEERING THERMOPLASTIC
 FLAMMABILITY RATING UL 94V-0
CONTACTS: PHOSPHOR BRONZE
PLATING: 50 μ" [1.27 MICRONS] MIN. GOLD ON MATING SURFACES.
 50 μ" [1.27 MICRONS] MIN. NICKEL UNDERPLATE
 100 μ" [2.54 MICRONS] MIN. MATTE TIN ON CONTACT TAILS.
SHIELD: STAINLESS STEEL WITH MATTE TIN PLATING ON SOLDER TAIL
RECOMMENDED SOLDERING TEMPERATURE:
 WAVE SOLDERING AT 260°C MAXIMUM FOR 5 SEC MAXIMUM.



PART NUMBER: RJHSE-5F8X

REFER TO LED OPTIONS DRAWING FOR ORDERING CODES

UNLESS SPECIFIED OTHERWISE		DRAWN PAULW	DATE JUN13/06
PRIMARY UNITS INCH		CHECKED CHIGOW	JUN13/06
SECONDARY MILLIMETERS		M.E. APP'D	
REFERENCE IN PARENTHESES		Q.A. APP'D	
GENERAL TOLERANCES		DWG APPR.	
1 DECIMAL PLACE		ENG. REL. NO.	
2 DECIMAL PLACES ±0.020		REF.	
3 DECIMAL PLACES ±0.015		THIRD ANGLE PROJECTION	
ANGULAR DEGREES ±1.0°		DO NOT SCALE DRAWING	

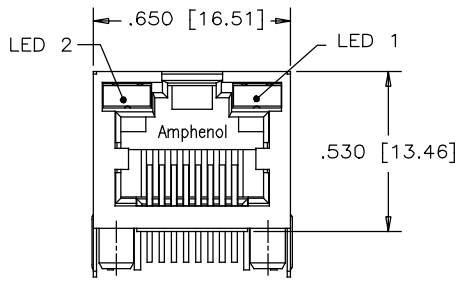
Amphenol Canada Corp.
www.amphenolcanada.com

TITLE
HIGH SPEED RJ45 SINGLE-PORT CONNECTOR WITH LED'S AND SHIELD (WITHOUT TABS) - RoHS COMPLIANT

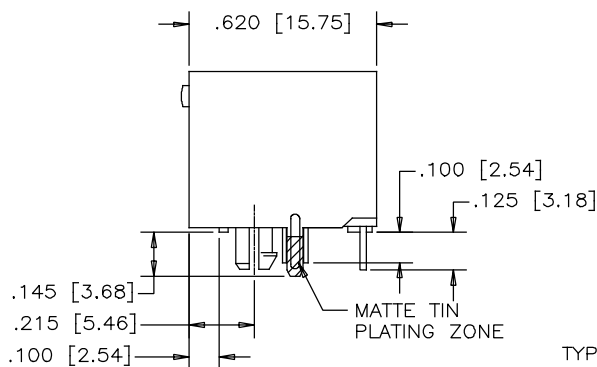
DWG. NO. P-RJHSE-5F8X

REV D

CODE ID NO. 03554 DWG SIZE: C SCALE: N/A SHEET 1 OF 1

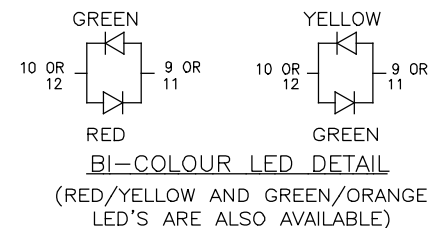


FRONT VIEW



SIDE VIEW

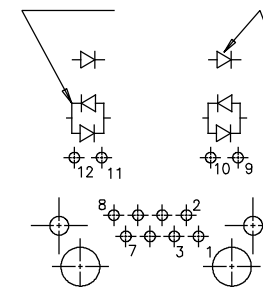
REVISIONS				
SYM	ZONE	ECN, ERN NO.	DATE	APPRD.
A		PROPOSAL	JAN.22/13	L.CHAN
B		PROPOSAL	APR15/13	L.CHAN
C		CHANGE SHIELD TAIL PLATING	APR17/17	L.CHAN



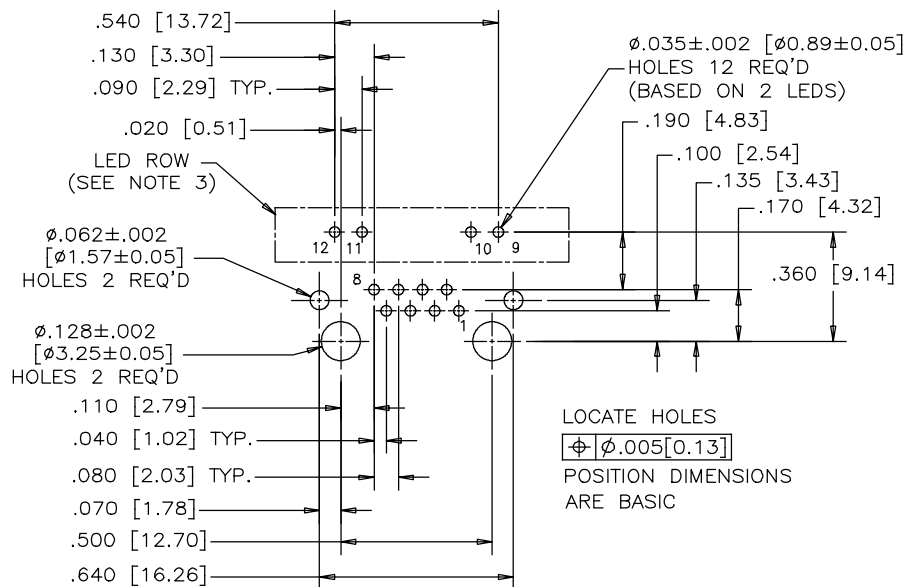
BI-COLOUR LED DETAIL
(RED/YELLOW AND GREEN/ORANGE LED'S ARE ALSO AVAILABLE)

TYPICAL FOR BI-COLOUR LED

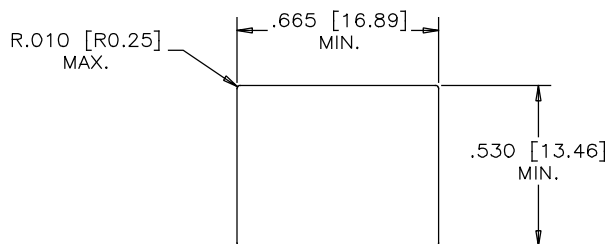
TYPICAL FOR SINGLE COLOR LED (RED, GREEN, OR YELLOW)



LED SCHEMATIC



RECOMMENDED P.C.B. LAYOUT
(COMPONENT SIDE OF BOARD)



RECOMMENDED PANEL CUTOUT

NOTES:

- MATERIALS:**
 PLASTIC HOUSING: HIGH TEMPERATURE THERMOPLASTIC
 FLAMMABILITY RATING UL 94V-0, COLOR: BLACK

 CONTACTS: PHOSPHOR BRONZE
 PLATING: 15 μ " [0.38 MICRONS]
 MIN. GOLD ON MATING SURFACES.
 50 μ " [1.27 MICRONS]
 MIN. NICKEL UNDERPLATE
 100 μ " [2.54 MICRONS]
 MIN. MATTE TIN ON CONTACT TAILS.

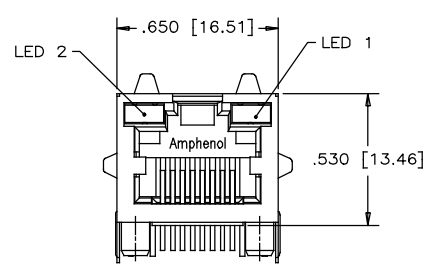
 SHIELD: STAINLESS STEEL WITH MATTE TIN PLATING ON SOLDER TAIL
- RECOMMENDED SOLDERING TEMPERATURE:**
 WAVE SOLDERING AT 260°C MAXIMUM FOR 5 SEC MAXIMUM.
- PART NUMBER:** RJHSE-GF8X
 REFER TO LED OPTIONS DRAWING FOR ORDERING CODES



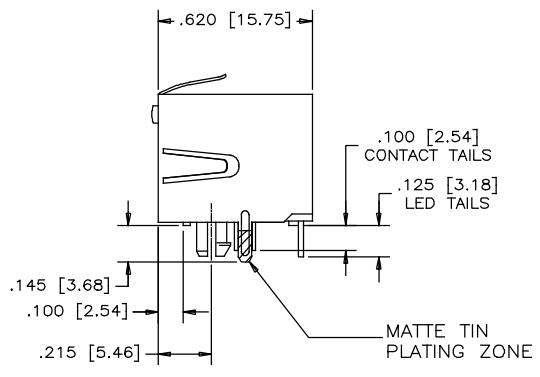
THIS DOCUMENT CONTAINS PROPRIETARY INFORMATION AND SUCH INFORMATION MAY NOT BE DISCLOSED TO OTHERS FOR ANY PURPOSE OR USED FOR MANUFACTURING PURPOSES WITHOUT WRITTEN PERMISSION FROM AMPHENOL CANADA CORP.

DRAWN	AMY.Z	DATE	JAN22/13	Amphenol Canada Corp.	
DESIGNED					
CHECKED	L.CHAN	DATE	JAN22/13		
I. E. APPRD.					
Q. A. APPRD.				TITLE	HIGH SPEED, RJ45, MODULAR JACK, 8 POSITION, 8 CONTACTS, WITH LED'S SHIELDED WITHOUT TABS-RoHS COMPLIANT
DWG. APPRD.				DWG	DRAWING NO.
ENG. REL. NO.					P-RJHSE-GF8X
REF.					REV.
DIMENSIONS ARE IN INCHES [mm]	CODE ID. NO.	03554	SCALE	WT.	SURF.
					SHEET 1 OF 1

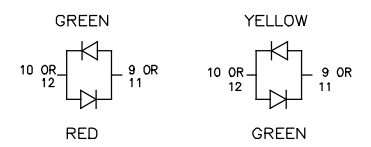
REVISIONS			
REV	DESCRIPTION, ECN, EAR NO.	DATE	APP'D
A	PROPOSAL DRAWING	MAY16/16	L.CHAN
B	CHANGE SHIELD TAIL PLATING	MAR17/17	L.CHAN



FRONT VIEW



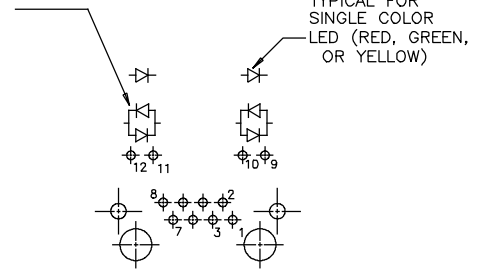
SIDE VIEW



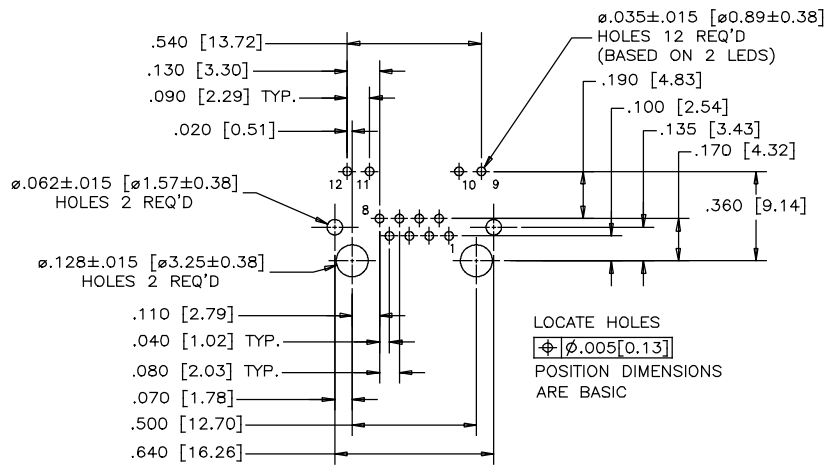
BI-COLOUR LED DETAIL
(RED/YELLOW AND GREEN/ORANGE LED'S ARE ALSO AVAILABLE)

TYPICAL FOR BI-COLOUR LED

TYPICAL FOR SINGLE COLOR LED (RED, GREEN, OR YELLOW)



LED SCHEMATIC



RECOMMENDED P.C.B. LAYOUT
(COMPONENT SIDE OF BOARD)

LOCATE HOLES
⊕ [ø.005 [0.13]]
POSITION DIMENSIONS ARE BASIC



1. MATERIALS:

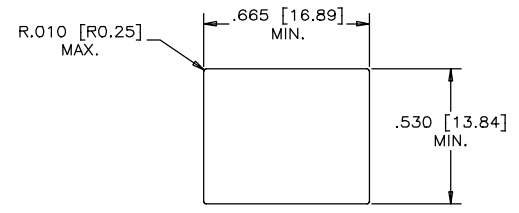
PLASTIC HOUSING: HIGH TEMPERATURE THERMOPLASTIC
FLAMMABILITY RATING UL 94V-0

CONTACTS: PHOSPHOR BRONZE
PLATING: 30 μ" [1.27 MICRONS]
MIN. GOLD ON MATING SURFACES.
50 μ" [1.27 MICRONS]
MIN. NICKEL UNDERPLATE
100 μ" [2.54 MICRONS]
MIN. MATTE TIN ON CONTACT TAILS.

SHIELD: STAINLESS STEEL WITH MATTE TIN PLATING ON SOLDER TAIL

AMPHENOL PART NUMBER: RJHSE-J48X-01X

REFER TO LED OPTIONS DRAWING FOR ORDERING CODES



RECOMMENDED PANEL CUTOUT

THIS DOCUMENT CONTAINS PROPRIETARY INFORMATION AND SUCH INFORMATION MAY NOT BE DISCLOSED TO OTHERS FOR ANY PURPOSE OR USED FOR MANUFACTURING PURPOSES WITHOUT WRITTEN PERMISSION FROM AMPHENOL CANADA CORP.

UNLESS SPECIFIED OTHERWISE	DRAWN W.QIU	MAY16/16
	CHECKED L.CHAN	MAY16/16
PRIMARY UNITS INCH	M.E. APP'D	
SECONDARY UNITS MILLIMETER	Q.A. APP'D	
REFERENCE IN PARENTHESES	DWG APP'D	
1 DECIMAL PLACE ±0.025	ENG. REL. NO.	
2 DECIMAL PLACE ±0.020	REF.	
3 DECIMAL PLACE ±0.015	THIRD ANGLE PROJECTION	DO NOT SCALE DRAWING
ANGULAR DEGREES ±1'		

Amphenol Canada Corp.
www.amphenolcanada.com

HIGH SPEED, RJ45, MODULAR JACK,
8 POSITION, 8 CONTACTS,
SHIELDED, WITH LEDS - RoHS COMPLIANT

DWG NO.	P-RJHSE-J48X-01X	REV B
CODE ID NO. 03554	DWG SIZE: C	SCALE: N/A
		SHEET 1 OF 1