

Control No. PCN-16232

July 8, 2016

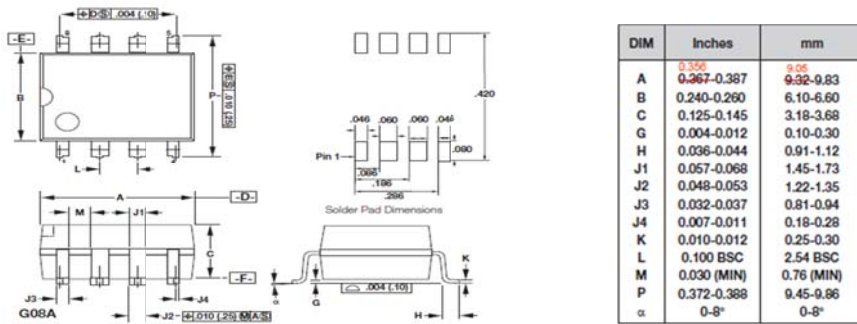
PRODUCT/PROCESS CHANGE NOTIFICATION

TYPE OF CHANGE: Design Manufacturing Other

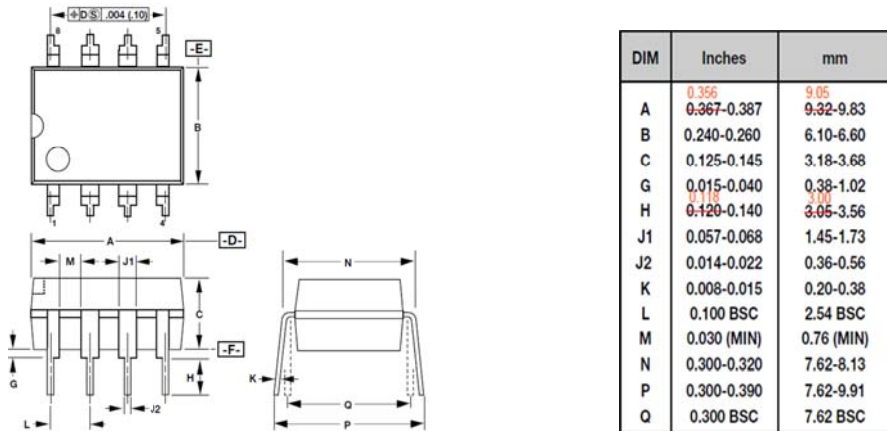
This notification is provided in accordance with Power Integrations policy of product/process change notification. If you have any questions or need further assistance, please contact your regional Power Integrations sales office.

DESCRIPTION OF CHANGE

The minimum body length (Dimension A) of the G and P packages is changed from 0.367 inch to 0.356 inch and the minimum Dimension H of the P-package is changed from 0.120 inch to 0.118 inch. All package dimensions, even with the minor changes, conform to the JEDEC specification.



G- Package: SMD-8/SMD-8B/SMD-8C



P- Package: PDIP-8/PDIP-8B/PDIP-8C

CONFIDENTIAL

REASON FOR CHANGE

For manufacturing flexibility.

PRODUCTS AFFECTED

All G and P packages.

QUALIFICATION STATUS

Not Required.

EFFECT ON CUSTOMER

No adverse impact is expected in manufacturers' applications and there is no change in the datasheet electrical parameters.

EFFECTIVE DATE

Immediate. This notification is for information only.

SAMPLE AVAILABILITY

This notification is for information only and no samples are required.

CONFIDENTIAL

CUSTOMER ACKNOWLEDGEMENT

Power Integrations requests you acknowledge the receipt of the above-mentioned PCN. If no acknowledgment is received within 30 days of this notification, Power Integrations will assume the change is acceptable. Lack of any additional response within 90 days of this notification further constitutes acceptance of the change.

Power Integrations reserves the right to ship either version manufactured after the effective date until the inventory of the earlier version has been depleted.

If you have any questions or need further assistance, please contact your regional Power Integrations sales office. Otherwise, please check the box below, acknowledging the receipt of the PCN.

The indicated Product/Process Change Notification was received by the undersigned authority.

Name/Title: _____
Signature: _____ Date: _____
Email Address/Phone#: _____
Company/Location: _____

CUSTOMER COMMENTS

Please email this signed form to pcn@power.com specifying the PCN# in the subject.

CONFIDENTIAL