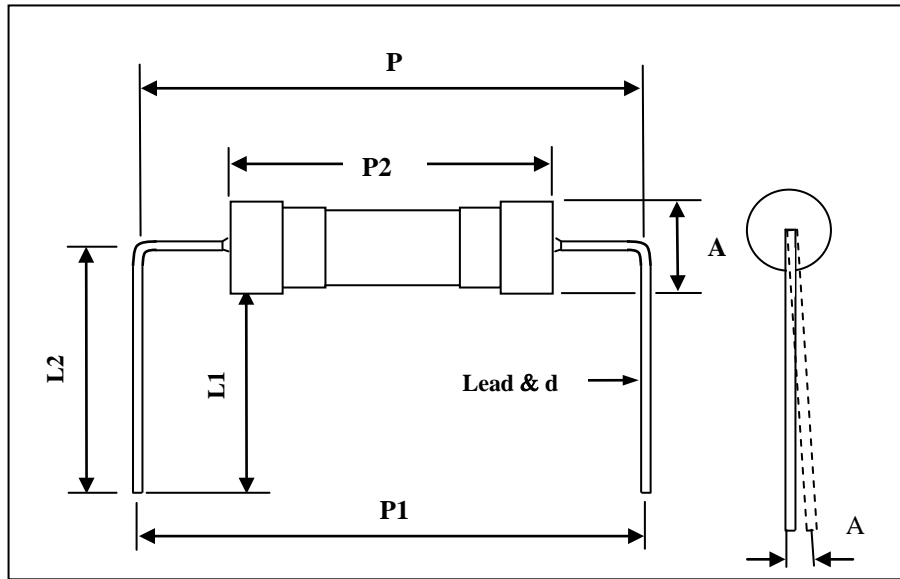


机械尺寸 Mechanical Dimensions : Type I



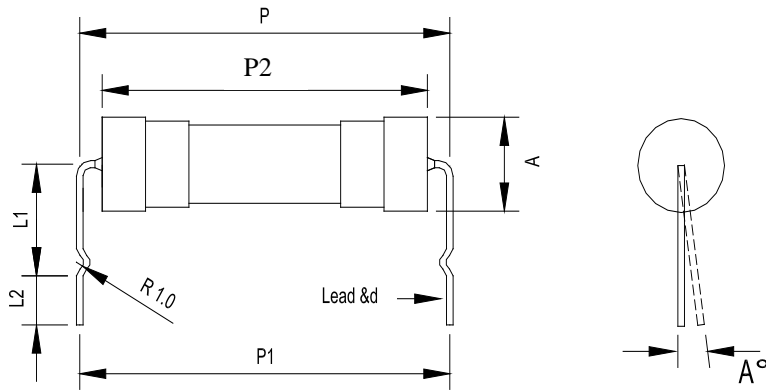
尺寸单位:mm
All dimensions in mm

注/Note:

- 尺寸A, 直径可以是5.8毫米或是6.0毫米, 这决定于保险丝是外焊或是内焊。
Reference dimension A, diameter can be 5.8mm or 6.0mm. This is dependant on product being internal solder or external solder. Reference relevant Sales Drawing.
- 针对XF44P, 需加黑色热塑套管后再成型。For XF44P, the fuses should be added with shrink tube before forming.

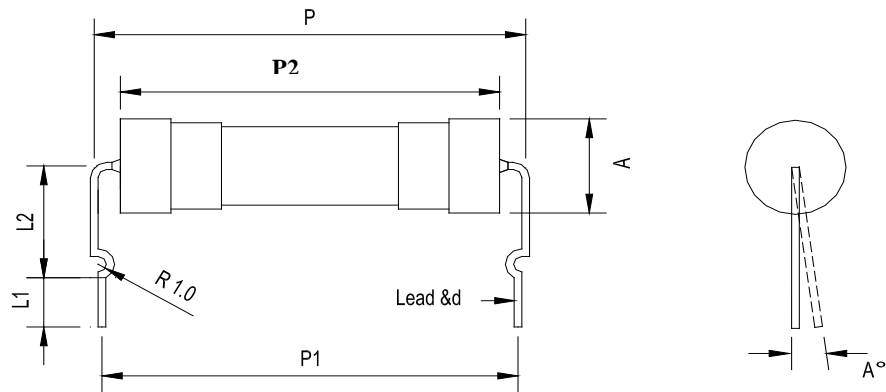
后缀 Suffix Number	间距 Pitch P2	间距 Pitch P	间距 Pitch P1	引线长度 Lead Length L1	引线长度 Lead Length L2	角度 Angle A°
XF3P	21.2-21.6	25.4 ± 0.5	25.4 ± 2.0	4.0 ± 0.5	-	3 ° Max
XF4P	21.2-21.6	25.4 ± 0.5	25.4 ± 2.0	5.0 ± 0.5	-	3 ° Max
XF5P	20.9-21.2	23.0 ± 0.5	23.0 ± 1.0	4.5 ± 0.5	-	3 ° Max
XF6P	21.2-21.6	25.4 ± 0.5	25.4 ± 0.5	-	7.1 ± 0.5	3 ° Max
XF7P	21.2-21.6	25.4 ± 0.5	25.4 ± 2.0	10.0 ± 0.5	-	3 ° Max
XF8P	21.2-21.6	24.0 ± 0.5	24.0 ± 0.5	4.0 ± 0.5	-	3 ° Max
XF9P	21.2-21.6	28.5 ± 0.5	28.5 ± 1.0	-	6.0 ± 0.3	3 ° Max
XF11P	21.2-21.6	24.5 ± 0.5	24.5 ± 1.0	3.5 ± 0.5	-	3 ° Max
XF13P	21.2-21.6	24.5 ± 0.5	24.5 ± 1.0	15.0 ± 0.5	-	3 ° Max
XF18P	20.9-21.2	23.0 ± 0.5	23.0 ± 0.5	4.0 ± 0.5	-	3 ° Max
XF20P	21.2-21.6	24.5 ± 0.5	24.5 ± 0.5	4.0 ± 0.5	-	3 ° Max
XF21P	20.9-21.2	23.0 ± 0.5	23.0 ± 0.5	8.0 ± 0.5	-	3 ° Max
XF27P	21.2-21.6	24.5 ± 0.5	24.5 ± 1.0	25 ± 0.5	-	3 ° Max
XF35P	21.2-21.6	29.35 ± 0.50	29.35 ± 1.00	7.0 ± 0.5	-	3 ° Max
XF36P	20.9-21.2	23.0 ± 0.5	23.0 ± 0.5	3.5 ± 0.5	-	3 ° Max
XF38P	21.2-21.6	25.5 ± 0.5	25.5 ± 1.0	-	-	3 ° Max
XF41P	21.2-21.6	27.5 ± 0.5	27.5 ± 0.5	4.0 ± 0.3	-	3 ° Max
XF44P	21.2-21.6	33.0 ± 1.0	33.0 ± 1.0	-	12.7 ± 2.5	3 ° Max
XF46P	21.2-21.6	25.0 ± 0.5	25.0 ± 0.5	3.0 ± 0.5	-	3 ° Max
XF51P	21.2-21.6	27.5 ± 0.5	27.5 ± 0.5	3.5 ± 0.3	-	3 ° Max
XF52P	21.2-21.6	27.0 ± 0.5	27.0 ± 0.5	3.2 ± 0.3	-	3 ° Max
XF53P	21.2-21.6	29.2 ± 0.5	29.2 ± 1.0	-	6.6 ± 0.5	3 ° Max
XF55P	21.2-21.6	27.5 ± 0.5	27.5 ± 0.5	3.7 ± 0.3	-	3 ° Max
XF56P	21.2-21.6	25.0 ± 1.0	25.0 ± 1.0	4.0 ± 0.5	-	3 ° Max
XF57P	21.2-21.6	26.0 ± 0.5	26.0 ± 0.5	3.2 ± 0.3	-	3 ° Max
XF59P	21.2-21.6	27.0 ± 0.5	27.0 ± 0.5	3.6 ± 0.5	-	3 ° Max
XF60P	21.2-21.6	25.4 ± 0.5	25.4 ± 0.5	3.7 ± 0.3	-	3 ° Max
XF62P	21.2-21.6	25.4 ± 0.5	25.4 ± 0.5	3.5 ± 0.3	-	3 ° Max

机械尺寸 Mechanical Dimensions: Type II



后缀 Suffix Number	间距 Pitch P2	间距 Pitch P	间距 Pitch P1	引线长度 Lead Length L1	引线长度 Lead Length L2	角度 Angle A°
XF15P	20.9-21.2	23.0 ± 0.5	23.0 ± 1.0	10.0 ± 0.7	4.2 ± 0.5	3 ° Max

机械尺寸 Mechanical Dimensions: Type III

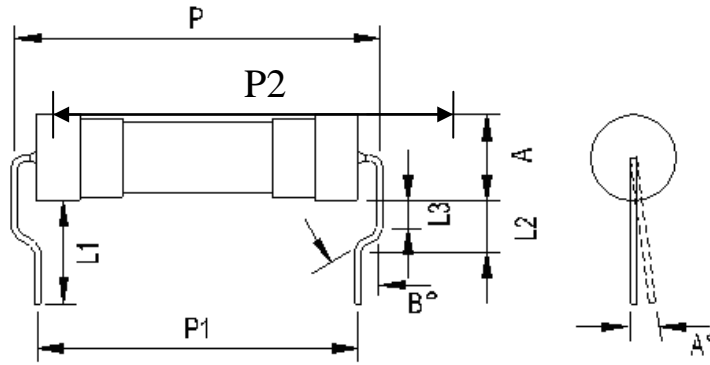


注：— 尺寸A，直径可以是5.8毫米或是6.0毫米，这决定于保险丝是外焊或是内焊。

Note: - Reference dimension A, diameter can be 5.8mm or 6.0mm. This is dependant on product being internal solder or external solder. Reference relevant Sales Drawing.

后缀 Suffix Number	间距 Pitch P2	间距 Pitch P	间距 Pitch P1	引线长度 Lead Length L1	引线长度 Lead Length L2	角度 Angle A°
XF14P	20.9-21.2	23.0 ± 0.5	22.0 ± 0.5	4.0 ± 0.5	13.2 ± 0.7	3 ° Max

机械尺寸 Mechanical Dimensions: Type IV

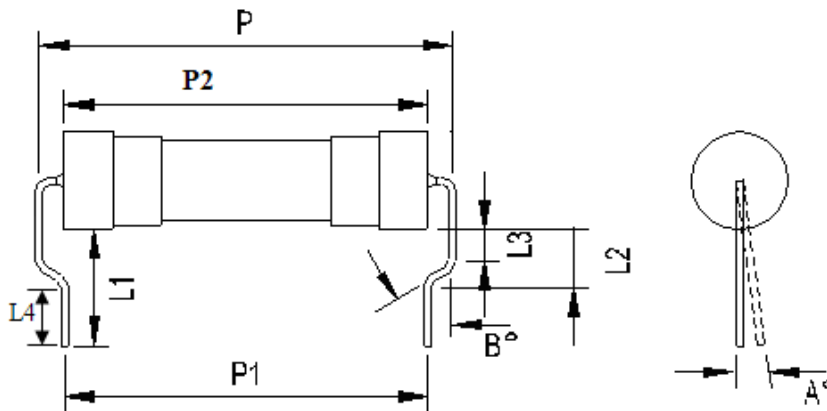


注：— 尺寸A，直径可以是5.8毫米或是6.0毫米，这决定于保险丝是外焊或是内焊。

Note: - Reference dimension A, diameter can be 5.8mm or 6.0mm. This is dependant on product being internal solder or external solder. Reference relevant Sales Drawing.

后缀 Suffix Number	间距 Pitch P2	间距 Pitch P	间距 Pitch P1	引线长 Lead Length L1	引线长度 Lead Length L2	引线长度 Lead Length L3	角度 Angle A°	角度 Angle B°
XF10P	21.4-21.6	24.0 ± 0.5	20.5 ± 2.0	7.0 ± 0.5	2.5 ± 0.5	-	3 ° Max	-
XF12P	21.4-21.6	24.0 ± 0.5	20.0 ± 0.5	7.0 ± 0.5	2.5 ± 0.5	-	3 ° Max	-
XF19P	20.9-21.2	23.0 ± 0.5	21.0	6.5	2.5	-	3 ° Max	60°
XF22P	21.2-21.6	24.5 ± 0.5	20.5 ± 0.5	22.0 ± 0.5	3.50 + 0.32-0	1.5	3 ° Max	45°
XF34P	21.2-21.6	24.5 ± 0.5	20.5 ± 0.5	8.5 ± 0.5	3.50 + 0.32-0	2.0	3 ° Max	45°
XF39P	20.9-21.2	23.0 ± 0.3	20.0 ± 0.3	4.6 ± 0.3	2.5	-	3 ° Max	60°
XF48P	21.2-21.6	24.0 ± 1.0	21.0 ± 1.0	6.5 ± 0.5	2.5 ± 0.5	-	3 ° Max	60°
XF54P	21.2-21.6	24.5 ± 0.5	20.5 ± 0.5	7.5 ± 0.5	3.5 ± 0.5	-	3 ° Max	45°-60°

机械尺寸 Mechanical Dimensions: Type IV



后缀 Suffix Number	间距 Pitch P2	间距 Pitch P	间距 Pitch P1	引线长度 Lead Length L1	引线长度 Lead Length L4	角度 Angle A°
XF61P	21.2-21.6	27.5 ± 0.5	25.4 ± 0.5	7.0 ± 0.5	3.5 ± 0.5	3 ° Max

注：— 尺寸A，直径可以是5.8毫米或是6.0毫米，这决定于保险丝是外焊或是内焊。

Note: - Reference dimension A, diameter can be 5.8mm or 6.0mm. This is dependant on product being internal solder or external solder. Reference relevant Sales Drawing