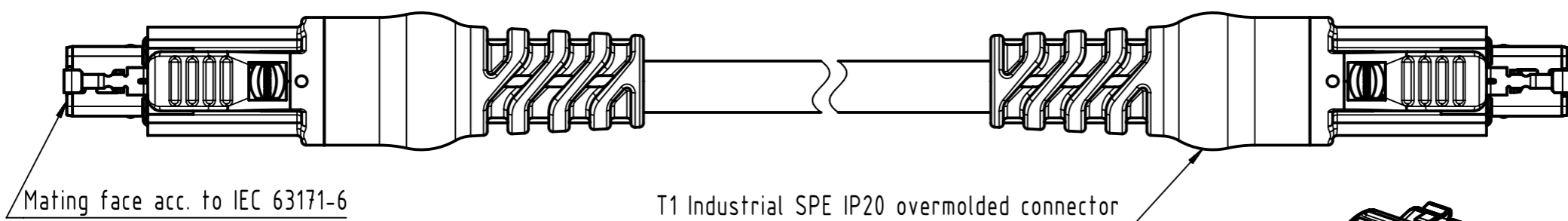
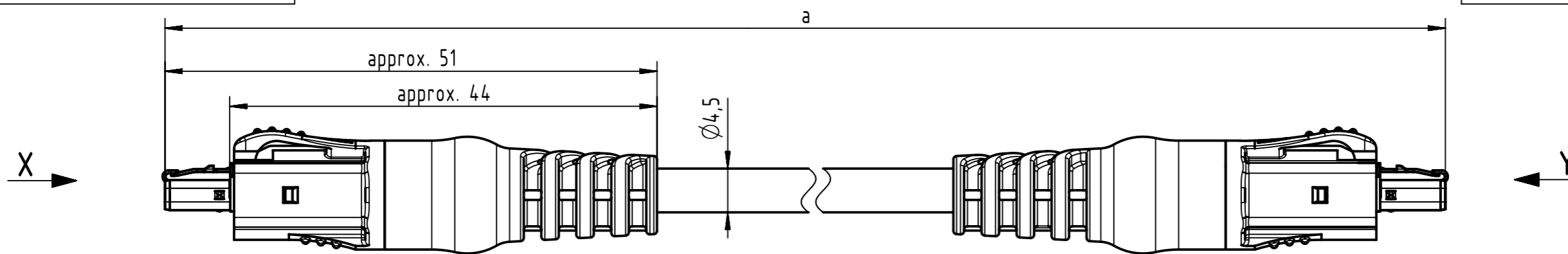


Connector Location A

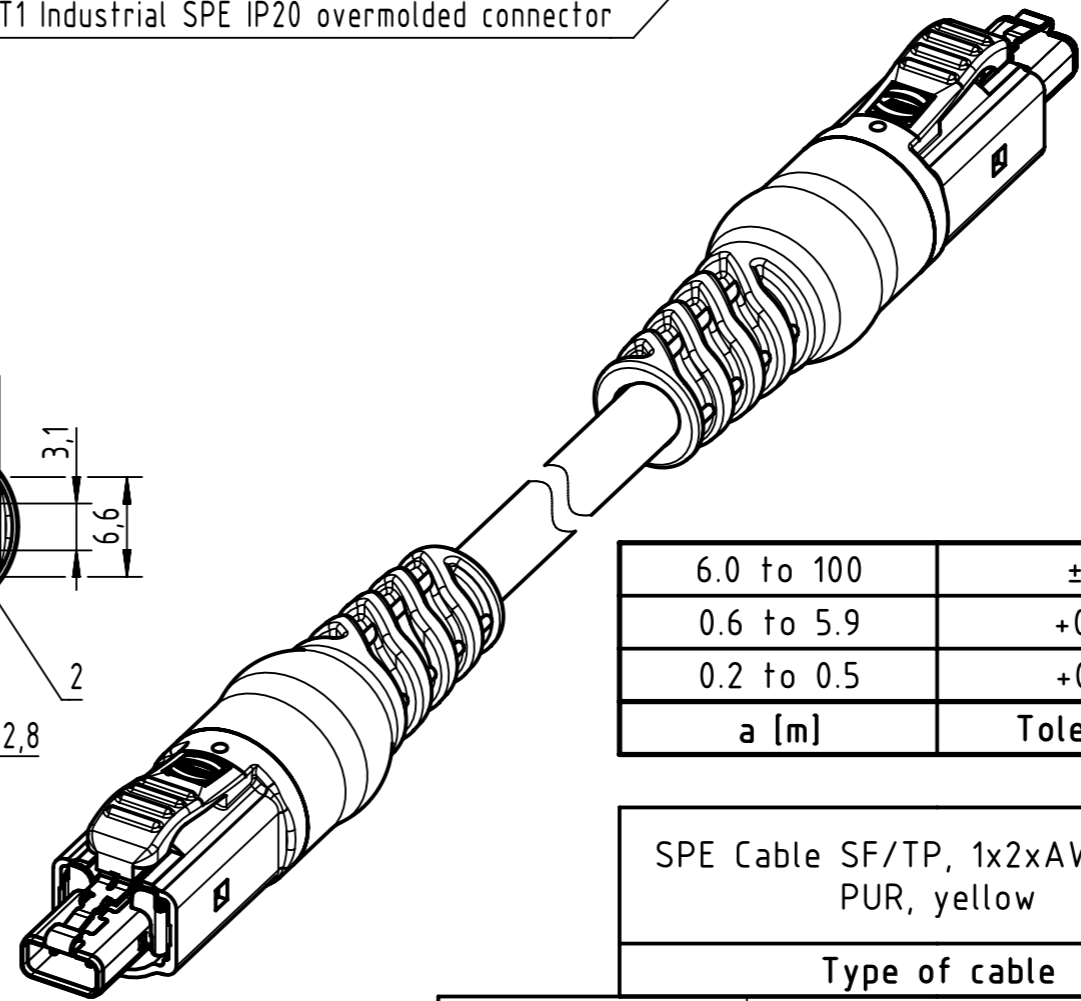
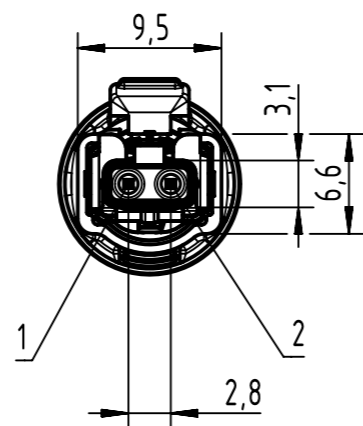
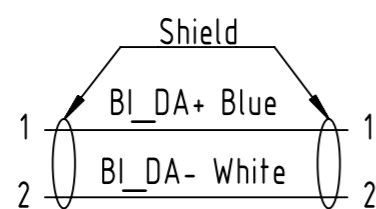
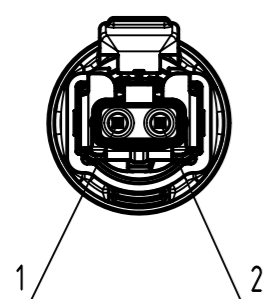
Connector Location B



X
male

Y
male

Loading Plan



6.0 to 100	±1%
0.6 to 5.9	+0.04
0.2 to 0.5	+0.02
a [m]	Tolerance

length in "1m" step	100	XXX=000
	99	XXX=990
	12	XXX=120
	11	XXX=110
length in "0.1m" step	10	XXX=100
	9.9	XXX=099
	9.8	XXX=098
	0.5	XXX=005
	0.4	XXX=004
	0.3	XXX=003
	0.2	XXX=002
Step	a [m]	XXX

SPE Cable SF/TP, 1x2xAWG 26/7, PUR, yellow
Type of cable

33280101001XXX
Part no.

Temperature range:
 - Fixed installation: -40°C ... +80°C
 - Flexible installation: -25°C ... +80°C

All rights reserved Department HCS - RO HARTING Customised Solutions D-32339 Espelkamp	All Dimensions in mm Tech. Character. Free size tol. According to production drawing	Created by 402676 Gross Inspected by COSTEA Costea Standardisation MUNTEANV Muntean Date 2020-12-16 State Final Release	Doc-Key / ECM-Nr. 100819333/UGD/000/C 500000186289
	Title T1 SPE IP20 1x2xAWG26/7 PUR Type TB Number 33280101001XXX	Rev. C Page 1/1	