



SALES PACKAGING SPECIFICATION



LANGUAGE

JAPANESE
ENGLISH

1. 製品名称 : 55560-***1 0.5 B-TO-B PLUG ASSY Hgt=1.5 エンボステーピング梱包
 PRODUCT NAME: 55560-***1 EMBOSS TAPE PACKAGE FOR 0.5 B-TO-B PLUG ASSY Hgt=1.5
 製品番号 : 55560-***7 (***)は極数を示す
 PART NUMBER: 55560-***7 (***) IS CIRCUITS SIZE)

2. 標準梱包数
 STANDARD PACKAGING QUANTITY

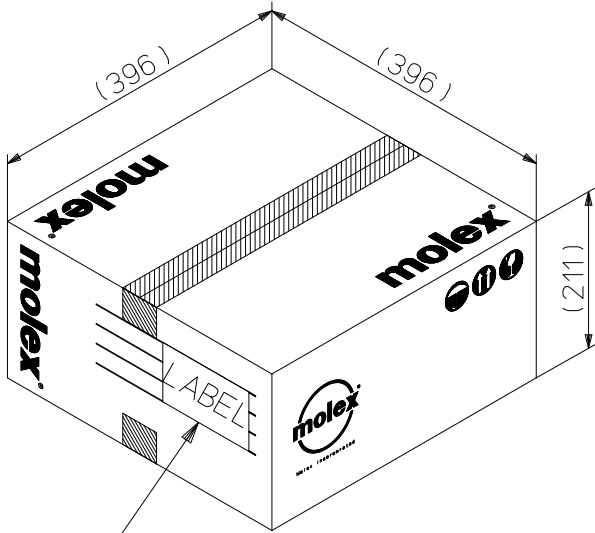
極 数 CKT. SIZE	キャリアテープ幅 Width of career tape (mm)	1 リール中の製品数 QTY. IN ONE REEL	外装カートン SHIPPING CARTON	
			梱包リール数 Number of packing reels	製品数 QUANTITY
20	16	3,000	8 (4)	24,000 (12,000)
22	24	3,000	6 (3)	18,000 (9,000)
24				
30				
34				
40				
50	32	3,000	4 (2)	12,000 (6,000)
60				
80	44	3,000	3 (1)	9,000 (3,000)

注 : () 内の数は、少量出荷用カートンを用いた場合の梱包数。
 () : Number of packing when carton for small lot. shipment is used.

REV.	C				
SHEET	1~2				
REVISE ON PC ONLY		TITLE:			
C	REVISED J2010-1529 '10/01/29 Y. ONO		5 5 5 6 0 梱包仕様書 SALES PACKAGING SPEC. FOR 55560		
	THIS DOCUMENT CONTAINS INFORMATION THAT IS PROPRIETARY TO MOLEX INC. AND SHOULD NOT BE USED WITHOUT WRITTEN PERMISSION				
REV.	DESCRIPTION				
DESIGN CONTROL J		STATUS	WRITTEN BY: T.HARUYAMA	CHECKED BY: M.ENOMOTO	APPROVED BY: M.ENOMOTO
			DATE : YR/MO/DAY 2002/07/11		
DOCUMENT NUMBER SPK-55560-001			FILE NAME SPK55560001.doc		SHEET 1 of 2



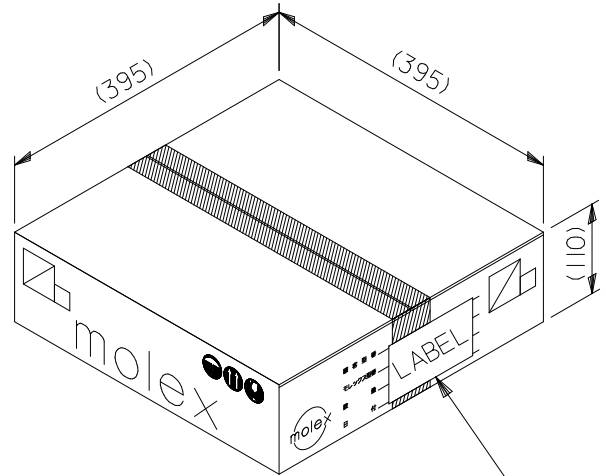
3. カートン外形参考寸法
CARTON OUTER DIMENSIONS (REFERENCE PURPOSE ONLY)



カートンラベル
CARTON LABEL

(製品型番, 数量, ロットNO. 表示)
INDICATION OF PART No., QUANTITY, LOT No.

標準カートン
STANDARD CARTON



カートンラベル
CARTON LABEL

(製品型番, 数量, ロットNO. 表示)
INDICATION OF PART No., QUANTITY, LOT No.

少量出荷用カートン
FOR SMALL LOT. SHIPMENT

	REVISE ON PC ONLY		TITLE: 5 5 5 6 0 梱包仕様書 SALES PACKAGING SPEC. FOR 55560
	C	SEE SHEET 1 OF 2	
REV.	DESCRIPTION	THIS DOCUMENT CONTAINS INFORMATION THAT IS PROPRIETARY TO MOLEX INC. AND SHOULD NOT BE USED WITHOUT WRITTEN PERMISSION	
DOCUMENT NUMBER SPK-55600-001			FILE NAME SPK55560001.doc
			SHEET 2 of 2