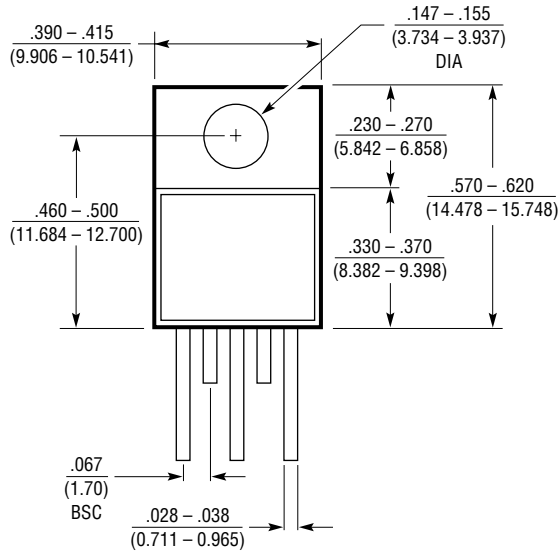
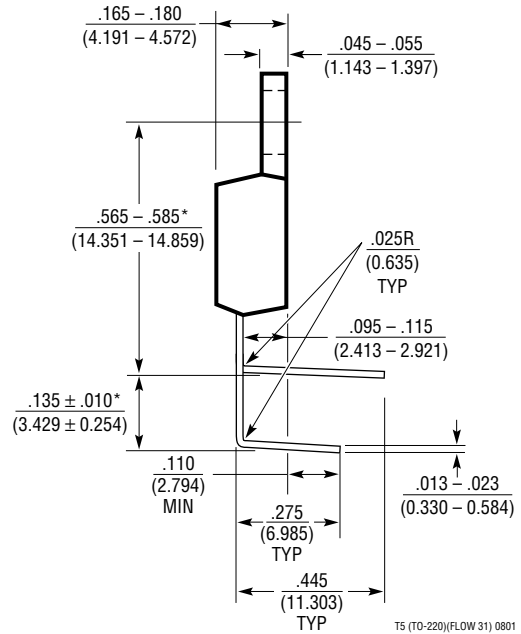


TO-220 5-Lead Package Outline (Flow 31)
 (Reference LTC DWG # 05-08-1491)



*MEASURED AT SEATING PLANE
 CONTROLLING DIMENSIONS ARE IN INCHES



T5 (TO-220)(FLOW 31) 0801