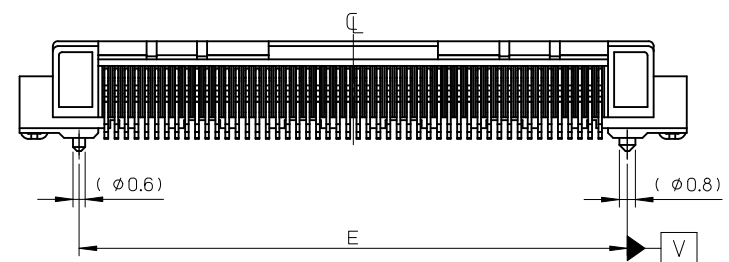


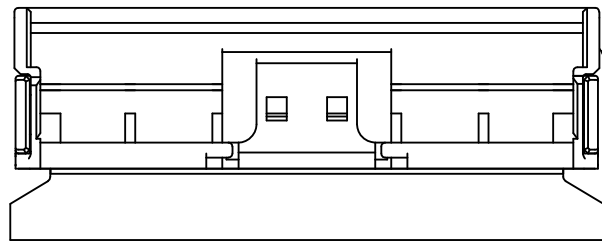
参考基板レイアウト
P.C. BOARD PATTERN
DIMENSION(REF.)
(マウント面)
(MOUNTING SIDE)



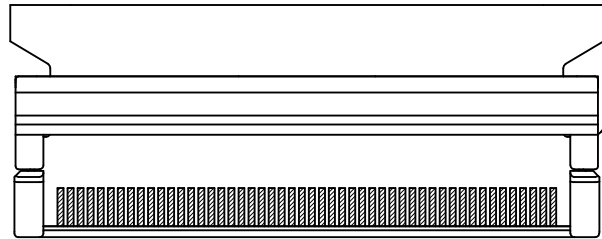
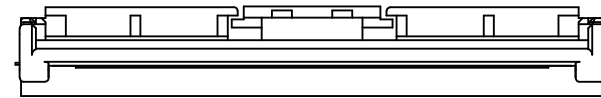
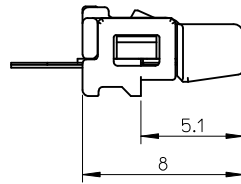
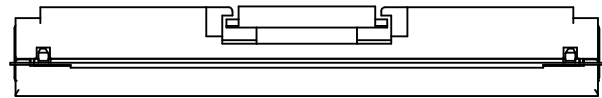
- 注記 1. 使用材料 MATERIAL
- ハウジング HOUSING : 液晶ポリマー (LCP), ガラス充填, UL94V-0 色: 黒色
LIQUID CRYSTAL POLYMER(LCP), GLASS FILLED, UL94V-0 COLOR: BLACK
- ターミナル TERMINAL : 銅合金 (t=0.18)
ニッケル下地 金メッキ (コンタクト, テール部)
COPPER ALLOY(t=0.18), GOLD PLATING (CONTACT, TAIL AREA) OVER NICKEL PLATING.
- 金具 FITTING NAIL : 銅合金 (t=0.25)
ニッケル下地 錫メッキ
COPPER ALLOY(t=0.25), TIN OVER NICKEL PLATING.
- △ N=偶数に通用 (N:極数)
APPLY FOR N=EVEN(CIRCUIT)
- △ 3 パターン剥離止め用金具
FITTING NAIL FOR PREVENTION OF PEELING OF P.C.B PATTERN.
- △ 適合ジャケット: 501783-**09
製品詳細寸法はSD-501783-001を参照下さい。
APPLICABLE JACKET: 501783-**09.RE DETAILED DIMENSION, SEE SD-501783-001.
- △ 5 適合ジャケットカバー: 501784-**09
製品詳細寸法はSD-501784-001を参照下さい。
APPLICABLE JACKET: 501784-**09.RE DETAILED DIMENSION, SEE SD-501784-001.
6. ELV及びRoHS適合品
ELV AND RoHS COMPLIANT

| | | | | | | |
|----------------------------------|------|------|------|------|------------------|----------|
| 42.2 | 44.1 | 44.8 | 39.5 | 48.1 | 501864-8090 | 80 |
| 27.2 | 29.1 | 29.8 | 24.5 | 33.1 | 501864-5090 | 50 |
| E | D | C | B | A | EMBOSSED PACKAGE | 極数 |
| オオーダー番号 ORDER NO. | | | | | | CIRCUITS |
| CONNECTOR SERIES NO. 501864-**11 | | | | | | |

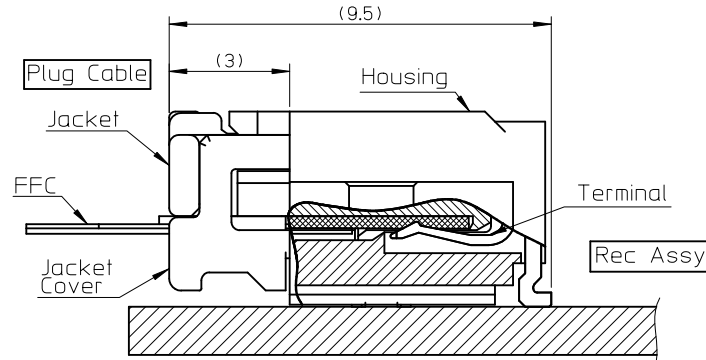
| | | | | | | | | | | | |
|---|---|--|--------|-----------------------------|------------------|---|--|------------------------|--|------------------------|--|
| REVISED EC NO: J2010-1937 DRWN: YMORI CHKD: MATSUURA APPR: KMORIKAWA | DESCRIPTION 2010/03/25 2010/03/25 2010/05/10 | GENERAL TOLERANCES (UNLESS SPECIFIED) | | DIMENSION STYLE MM ONLY | | SCALE // | | DESIGN UNITS METRIC | | THIRD ANGLE PROJECTION | |
| | | 10 UNDER | ± 0.2 | DRAWN BY H. IJIMA | DATE 06/01/13 | TITLE 0.5 FFC TO BOARD CONN REC. HSG ASSY(RA) | | | | | |
| | | 10 OVER 30 UNDER | ± 0.25 | CHECKED BY K. TAKAHASHI | DATE 06/01/13 | MOLEX INCORPORATED | | | | | |
| | | 30 OVER | ± 0.3 | APPROVED BY H. HIRATA | DATE 06/01/13 | | | | | | |
| ANGULAR ± 1 ° | | DRAFT WHERE APPLICABLE MUST REMAIN WITHIN DIMENSIONS | | MATERIAL NO. 501864-**11 | | DOCUMENT NO. SD-501864-001 | | SHEET NO. 1 OF 2 | | | |
| THIS DRAWING CONTAINS INFORMATION THAT IS PROPRIETARY TO MOLEX INCORPORATED AND SHOULD NOT BE USED WITHOUT WRITTEN PERMISSION | | | | | | | | | | | |



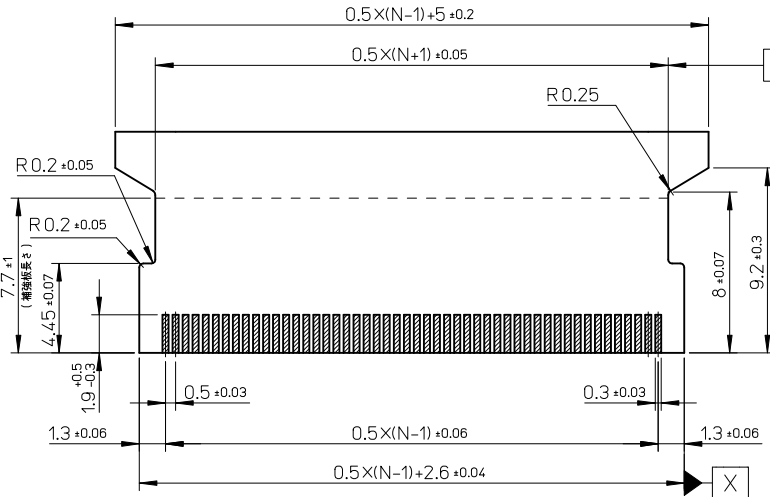
△ ジャケット
4 JACKET



△ ジャケットカバー
5 JACKET COVER



嵌合断面図



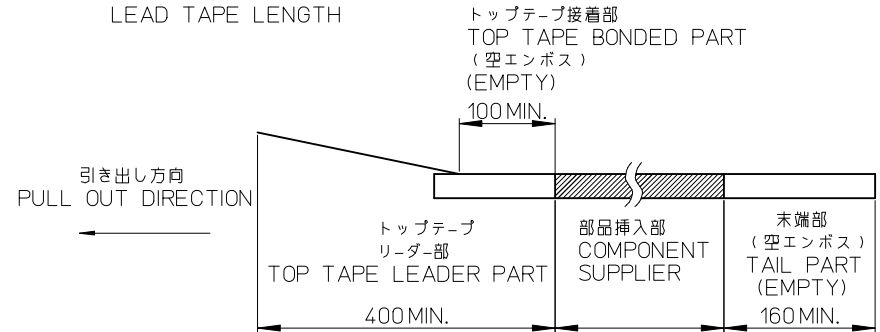
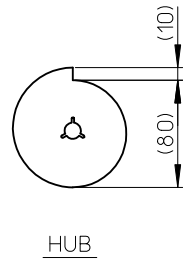
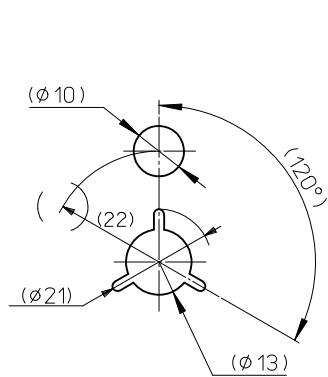
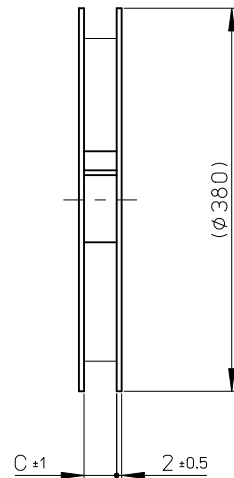
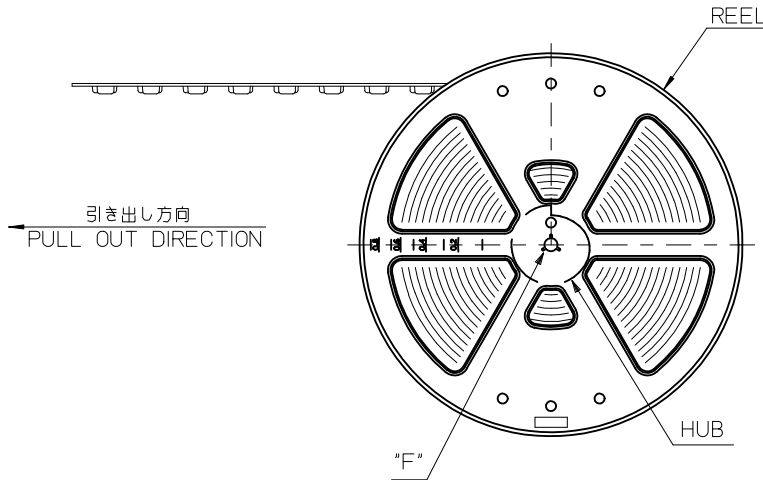
コネクタ接点部

適合FFC寸法
APPLICABLE FFC
RECOMMENDED DIMENSION
(仕上がり厚さ: 接点部 0.3 ± 0.03)

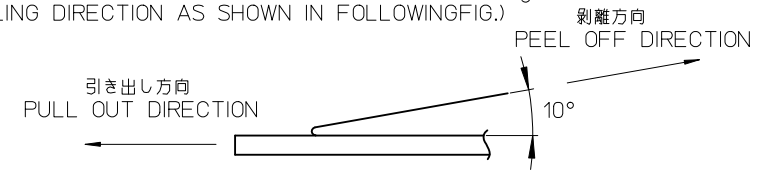
| | | | | | | |
|---|---------------------------------------|--|----------------------------|--|---|-------------------------------|
| SEE SHEET 1 OF 2 EC NO: J2010-1937 DRAWN: YMORI CHKD: N. MATSUURA 2010/03/25 APPR: K. MORIKAWA 2010/05/10 | GENERAL TOLERANCES (UNLESS SPECIFIED) | | DIMENSION STYLE MM ONLY | SCALE // | DESIGN UNITS METRIC | THIRD ANGLE PROJECTION |
| | 10 UNDER | ± 0.2 | DRAWN BY H. IJIMA | DATE 06/01/13 | TITLE 0.5 FFC TO BOARD CONN REC. HSG ASSY(RA) | |
| | 10 OVER 30 UNDER | ± 0.25 | CHECKED BY K. TAKAHASHI | DATE 06/01/13 | MOLEX INCORPORATED | |
| | 30 OVER | ± 0.3 | APPROVED BY H. HIRATA | DATE 06/01/13 | MATERIAL NO. 501864-***11 | DOCUMENT NO. SD-501864-001 |
| ANGULAR $\pm 1^\circ$ | | DRAFT WHERE APPLICABLE MUST REMAIN WITHIN DIMENSIONS | SIZE A3 | THIS DRAWING CONTAINS INFORMATION THAT IS PROPRIETARY TO MOLEX INCORPORATED AND SHOULD NOT BE USED WITHOUT WRITTEN PERMISSION | | |
| | | | | | SHEET NO. 2 OF 2 | |

NOTES

- 極包数量：900 個/リール
NUMBER OF CONNECTORS:900 PCS/REEL
- リードテープ長さ
LEAD TAPE LENGTH

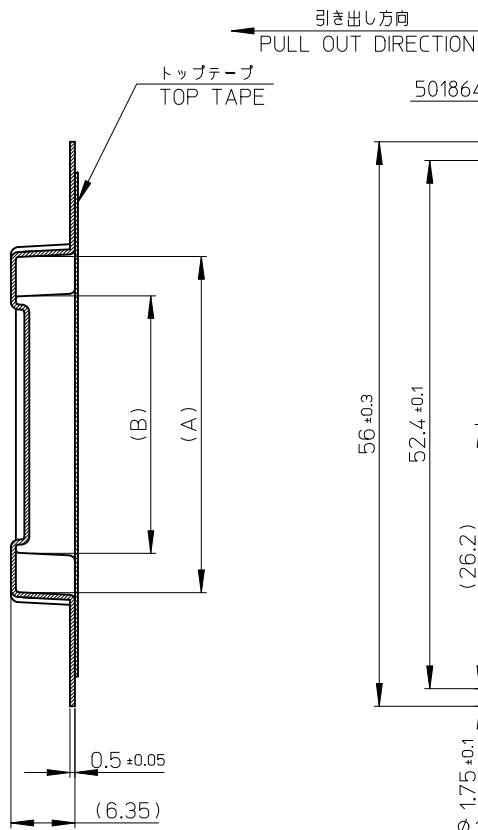


- トップテープの剥離強度：0.1~1.27N(10~130gf)
(剥離方向は下図参照)
剥離速度：300mm/MIN.(参考)
PEEL-OFF FORCE OF TOP TAPE : 0.1~1.27N(10~130gf)
(PEELING DIRECTION AS SHOWN IN FOLLOWINGFIG.)



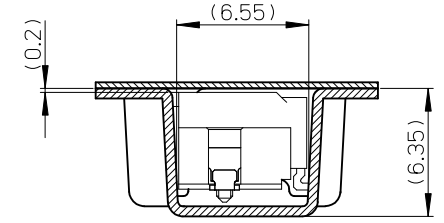
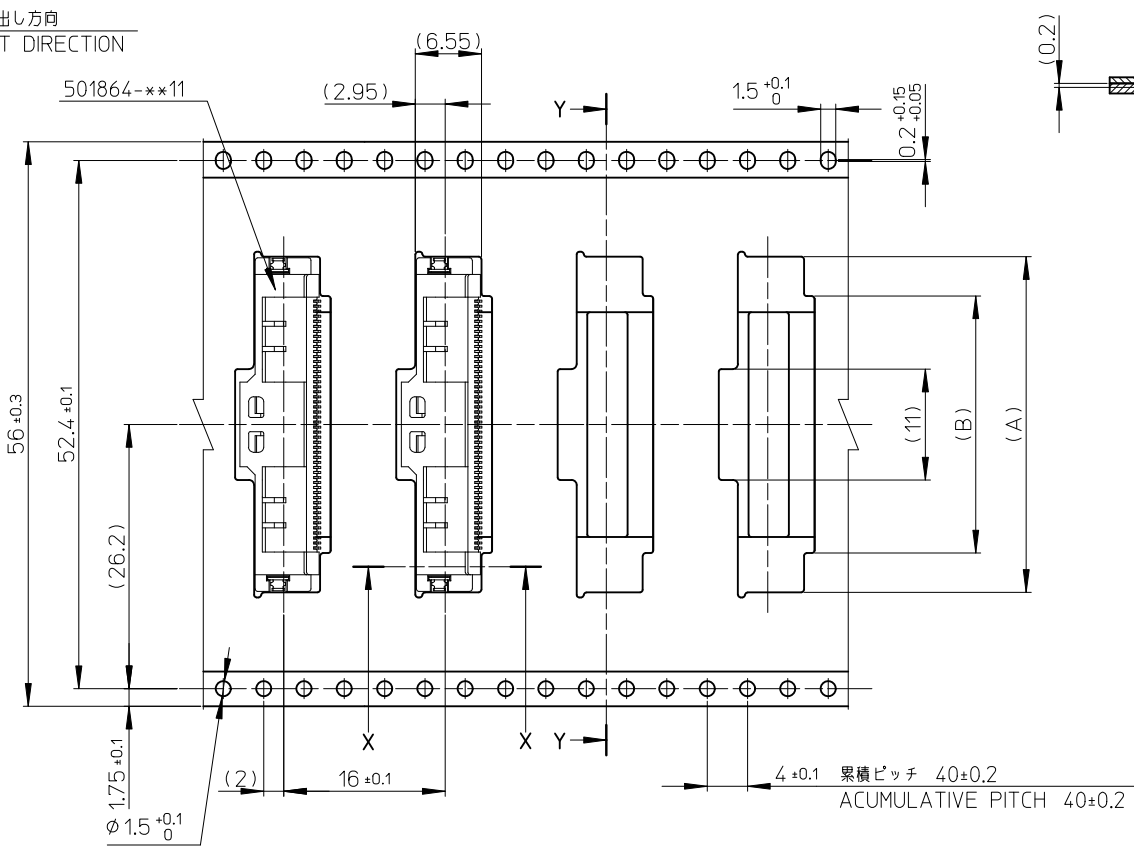
- 製品詳細寸法については図面 SD-501864-001を参照下さい。
RE DETAILED DIMENSION, SEE SD-501864-001.
- 材料(MATERIAL)
キャリアテープ(CARRIER TAPE)：ポリスチレン(POLYSTYRENE)
トップテープ(TOP TAPE)：PET, PE, PE
リール(REEL)：ポリスチレン(POLYSTYRENE)
- ELV及びRoHS適合品
ELV AND RoHS COMPLIANT

| | | | | | | | | | | |
|---|--------------------|--|-------|------------------------------|-------------------------------|---|------------------------|------------------------|--|--|
| REVISED EC NO: J2010-1937 DRWN: YMORI 2010/03/25 CHKD: MATSUURA 2010/03/25 APPR: KMORIKAWA 2010/05/10 | DESCRIPTION REV | GENERAL TOLERANCES (UNLESS SPECIFIED) | | DIMENSION STYLE MM ONLY | | SCALE --- | DESIGN UNITS METRIC | THIRD ANGLE PROJECTION | | |
| | | 10 UNDER | ±0.2 | DRAWN BY H. IJIMA | DATE 06/01/17 | TITLE EMBSTP PKG FOR 0.5 FFC TO BOARD CONN RA TYPE | | | | |
| | | 10 OVER 30 UNDER | ±0.25 | CHECKED BY K. TAKAHASHI | DATE 06/01/17 | MOLEX INCORPORATED | | | | |
| | | 30 OVER | ±0.3 | APPROVED BY H. HIRATA | DATE 06/01/17 | | | | | |
| ANGULAR ±1° | | DRAFT WHERE APPLICABLE MUST REMAIN WITHIN DIMENSIONS | | MATERIAL NO. 501864-***90 | DOCUMENT NO. SD-501864-003 | SHEET NO. 1 OF 2 | | | | |



SECT. Y-Y

56mm幅キャリアテープ
56mm WIDTH CARRIER TAPE



SECT. X-X

| | | | | | |
|--------------------------------|------|------|------|---------------------|-----------|
| 56 | 57.4 | 25.5 | 33.3 | 501864-5090 | 50 |
| キャリアテープ幅 CARRIER TAPE WIDTH | C | B | A | オーダー番号 ORDER NO. | 極数 CKT |

| | | | | | | | | | |
|--|--------------------|--|--------|----------------------------|------------------|---|------------------------|------------------------|--|
| SEE SHEET 1 OF 2 EC NO: J2010-1937 DRWN: YMORI 2010/03/25 CHKD: MATSUURA 2010/03/25 APPR: KMORIKAWA 2010/05/10 | DESCRIPTION REV | GENERAL TOLERANCES (UNLESS SPECIFIED) | | DIMENSION STYLE MM ONLY | | SCALE --- | DESIGN UNITS METRIC | THIRD ANGLE PROJECTION | |
| | | 10 UNDER | ± 0.2 | DRAWN BY H. IJIMA | DATE 06/01/17 | TITLE EMBSTP PKG FOR 0.5 FFC TO BOARD CONN RA TYPE | | | |
| | | 10 OVER 30 UNDER | ± 0.25 | CHECKED BY K. TAKAHASHI | DATE 06/01/17 | MATERIAL NO. 501864-**90 | | | |
| | | 30 OVER | ± 0.3 | APPROVED BY H. HIRATA | DATE 06/01/17 | DOCUMENT NO. SD-501864-003 | | | |
| ANGULAR ± 1 ° | | DRAFT WHERE APPLICABLE MUST REMAIN WITHIN DIMENSIONS | | SIZE A3 | | THIS DRAWING CONTAINS INFORMATION THAT IS PROPRIETARY TO MOLEX INCORPORATED AND SHOULD NOT BE USED WITHOUT WRITTEN PERMISSION | | | |
| | | | | | | MOLEX INCORPORATED | | SHEET NO. 2 OF 2 | |