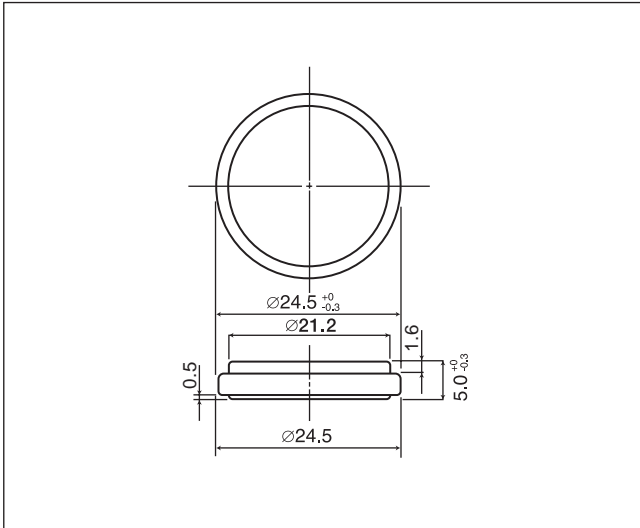


BR2450A/ **

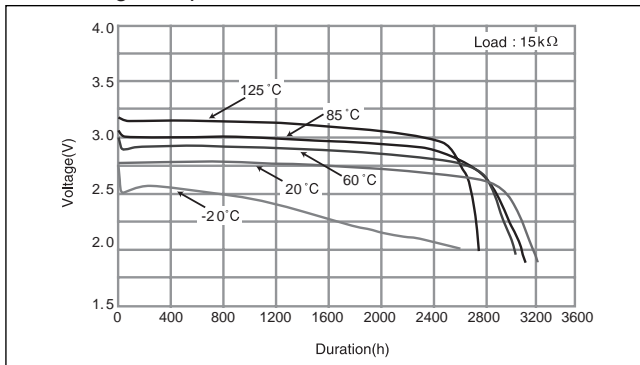
■ Dimensions(mm)



■ Specification

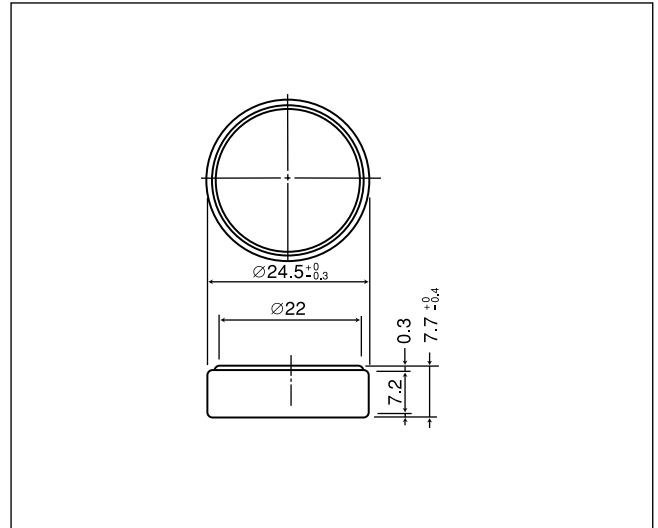
Nominal voltage(V)	3
Nominal capacity(mAh)	550
Continuous drain(mA)	0.03
Operating temperature(°C)	-40 to +125

■ Discharge temperature characteristics



BR2477A/ **

■ Dimensions(mm)



■ Specification

Nominal voltage(V)	3
Nominal capacity(mAh)	1,000
Continuous drain(mA)	0.03
Operating temperature(°C)	-40 to +125

■ Discharge temperature characteristics

