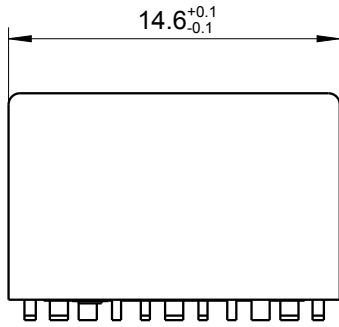
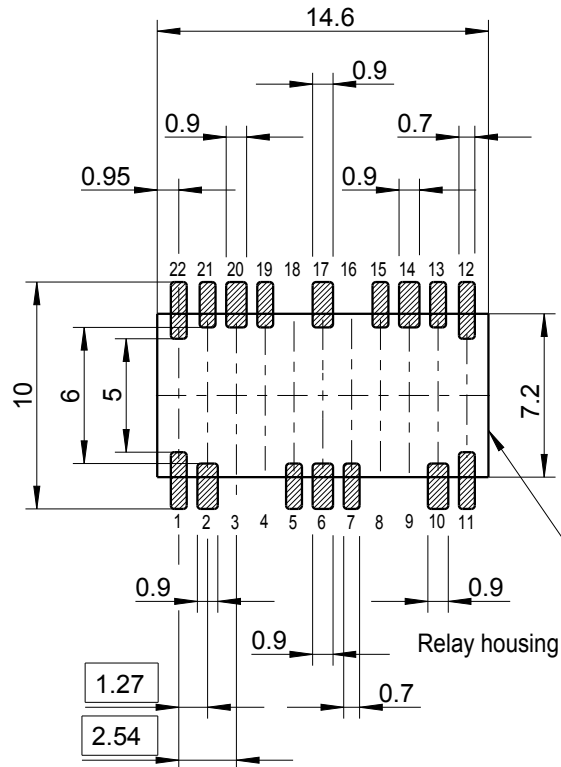
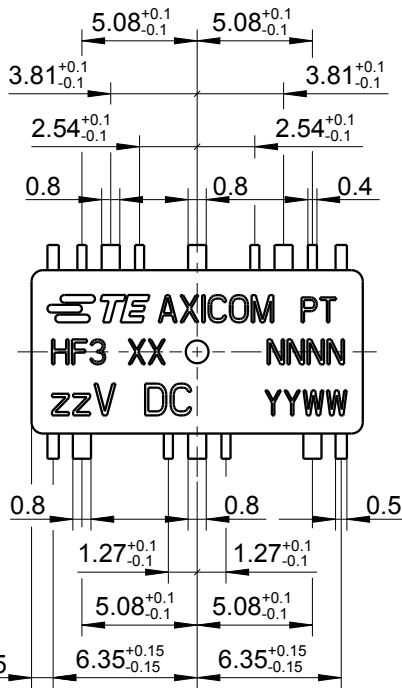
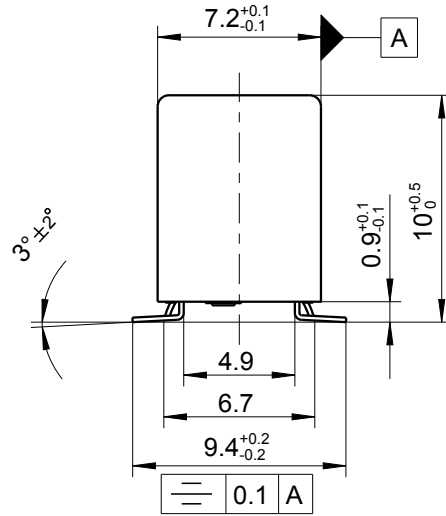


LOC	DIST	REVISIONS					
		P	LTR	DESCRIPTION	DATE	DWN	APVD
HJ	-		C	Printing	21JUL2009	UKo	HD
			D	Printing	09JUL2010	UKo	HD
			D1	REVIESED PER eco-11-005150	09JUL2010	RK	HMR
			D2	REVISED PER ECO-11-017072 (ECR-13-009645)	14JUN2013	UKo	AK



Coplanarity ≤ 0.10mm



XX = Relay type
 zz = nominal voltage
 YYWW = Date code
 NNNN = Lot number

DRAWING ALIAS: H2000-DOK02

DIMENSIONS: mm	DWN	UKo 9193	16AUG2002	MATERIAL	-	FINISH	-
	CHK	HD 9121	16AUG2002	TE Connectivity			
TOLERANCES UNLESS OTHERWISE SPECIFIED: DIN 7168-m	APVD	HD 9121	16AUG2002				
	PRODUCT SPEC	-	-	SIZE	CAGE CODE	DRAWING NO	RESTRICTED TO
0 PLC ±-	1 PLC ±-	2 PLC ±-	3 PLC ±-	4 PLC ±-	ANGLES ±1°	WEIGHT -	
CUSTOMER DRAWING				SCALE 3:1	SHEET 1 OF 1	REV D2	