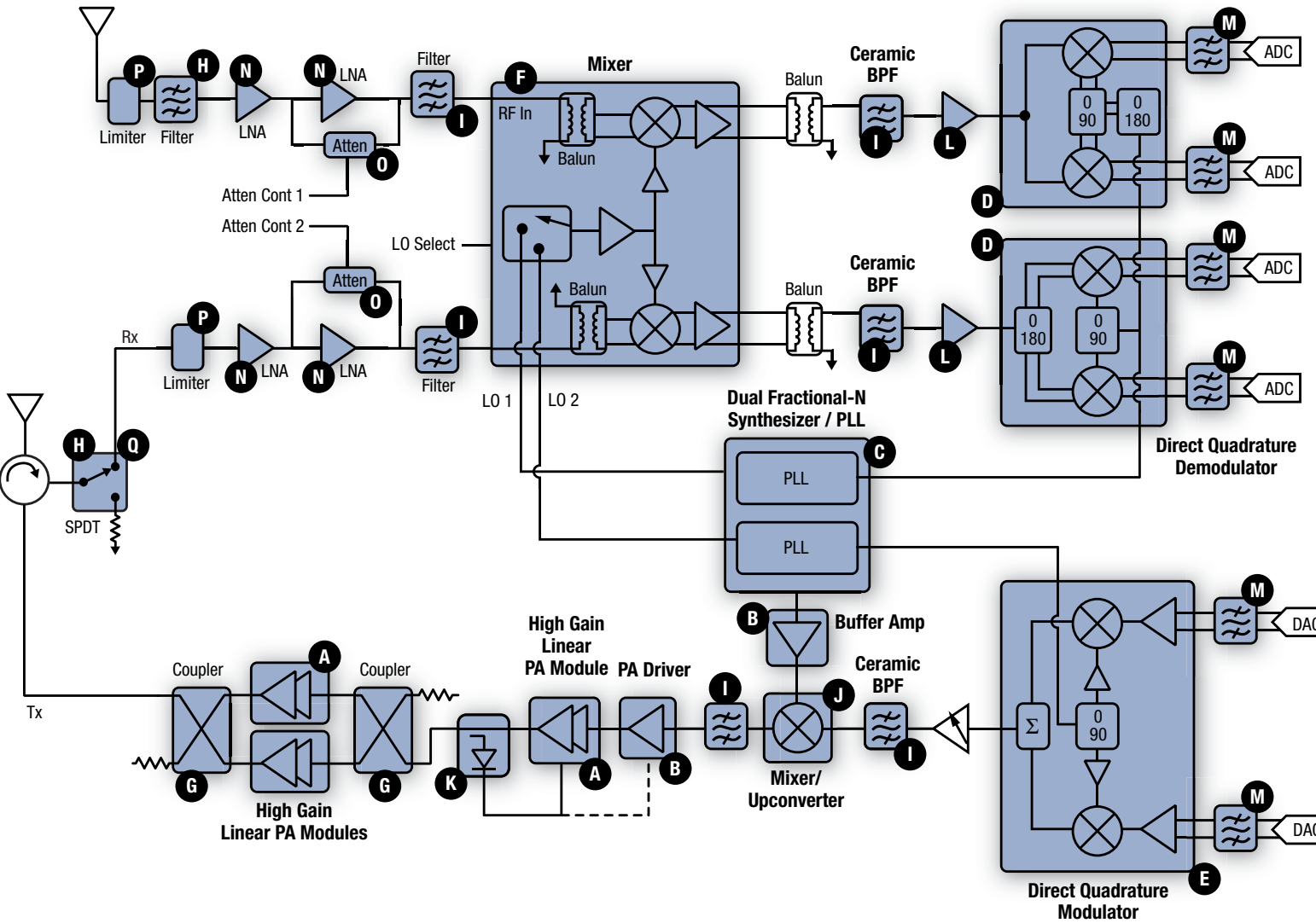


Superheterodyne Base Station Transceiver

Part numbers link to product information



High Gain PA Modules

A SKY65120 SKY65124 SKY65126 SKY65127

PA Drivers

B SKY65009-70LF SKY65016 SKY65162-70LF
 SKY65013 SKY65017-70LF SKY67130-396LF
 SKY65014 SKY65045-70LF
 SKY65015 SKY65080-70LF

Synthesizers

C SKY72300-21 SKY73101 SKY73134
 SKY72302-21 SKY73103 SKY74038-21
 SKY72310 SKY73112
 SKY73100 SKY73126

Direct Quadrature Demodulators

D SKY73009-11 SKY73012-11

Direct Quadrature Modulators

E SKY73077-459LF SKY73078-459LF SKY73092-459LF

Mixers

F SKY42068-11 (single) SKY73025-11 SKY73069
 SKY73020-11 (dual) SKY73032 (single) SKY73084
 SKY73021-11 SKY73033 (single) SKY73085-11
 SKY73022 SKY73062
 SKY73023 SKY73063

Hybrids

G HY17-12LF HY92-12LF HY19-12LF

Dielectric Resonators

Ceramic Band Pass Filters

Schottky Diodes

J SMS3927-023LF SMS3928-023LF

Directional Detectors/Couplers

K DD02-999LF DC08-73LF DC09-73LF

Gain Block Amplifiers

L SKY65013 SKY65015 SKY65017-70LF
 SKY65014 SKY65016 SKY67130-396LF

Programmable Filters

M SKY73201-364LF SKY73202-364LF

Low Noise Amplifiers

N SKY67001-396LF SKY67100-396LF SKY67111-396LF
 SKY67002-396LF SKY67101-396LF
 SKY67003-396LF SKY67102-396LF

Attenuators

O Pin Diodes
 SMP1304 Series SMP1307 Series

Digital

SKY12339-350LF SKY12343-364LF SKY12347-362LF
 SKY12340-364LF SKY12345-362LF SKY12348-350LF

Limiters

P CLA460X Series
 SMP1330-007LF

High Power T/R Switches

Q SKY12207-478LF
 SKY12208-478LF
 SKY12210-478LF