

C3216X7R1V106K160AC

TDK Item Description : C3216X7R1V106KT****

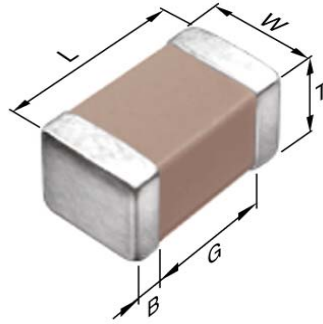


Application & Main Feature

Commercial Grade (General (Up to 50V))

Series

C3216 [EIA CC1206]



Dimensions

L 3.20mm +/-0.2mm
 W 1.60mm +/-0.2mm
 T 1.60mm +/-0.2mm
 B 0.20mm Min.
 G 1.00mm Min.

Temperature Characteristic

X7R (-55 to 125 degC +/-15%)

Rated Voltage

1V (35Vdc)

Capacitance

10uF

Capacitance Tolerance

K (+/-10%)

Dissipation Factor

7.5% Max.

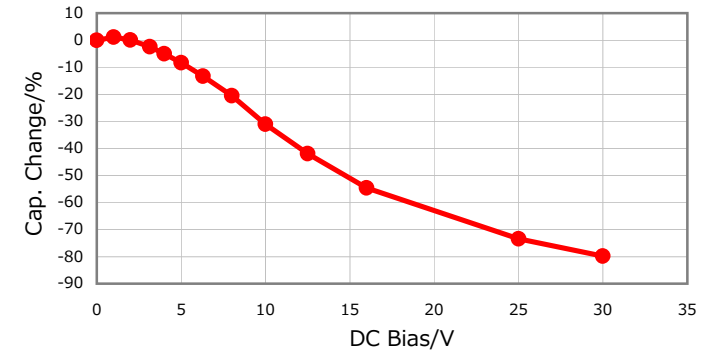
Insulation Resistance

50Mohm Min.

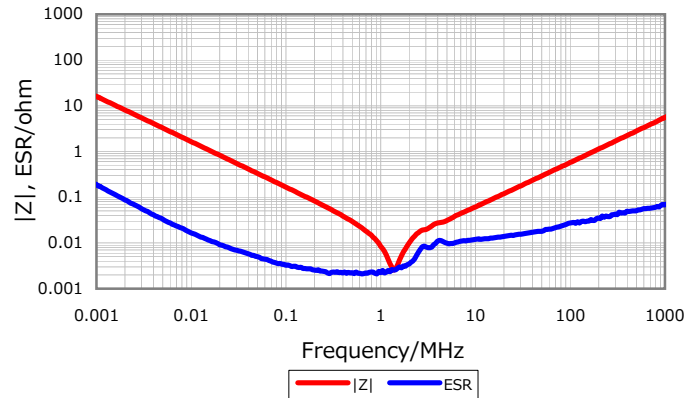
AEC-Q200

Not Applicable

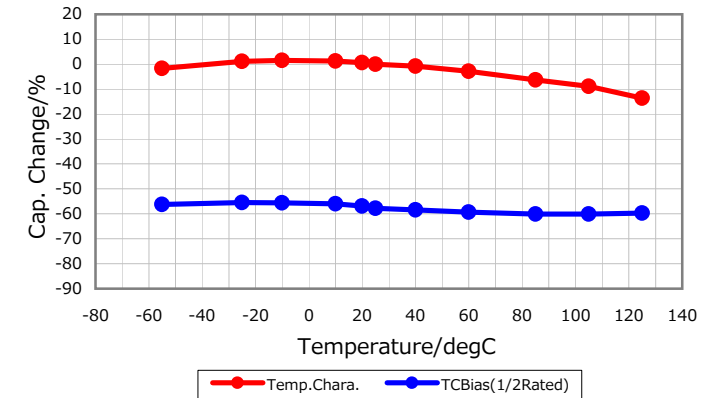
DC Bias Characteristic



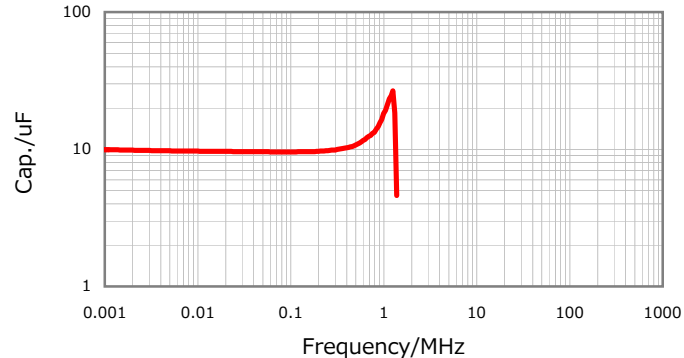
|Z|, ESR vs. Freq. Characteristics



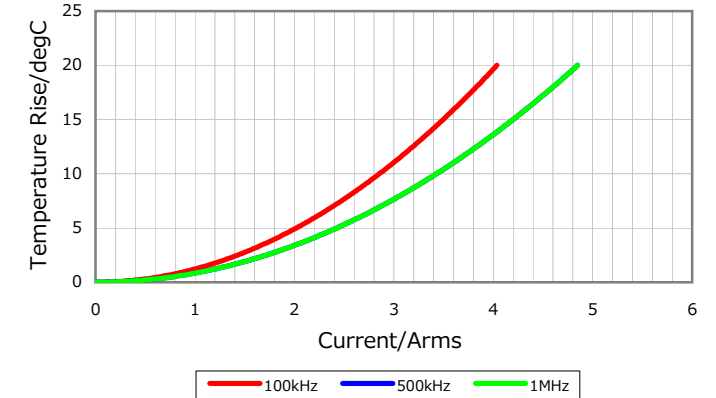
Temperature Characteristics



Cap. vs. Freq. Characteristic



Ripple Temperature Rise Characteristics



Characterization Sheet (Multilayer Ceramic Chip Capacitors)



All specifications are subject to change without notice.

January 3, 2016