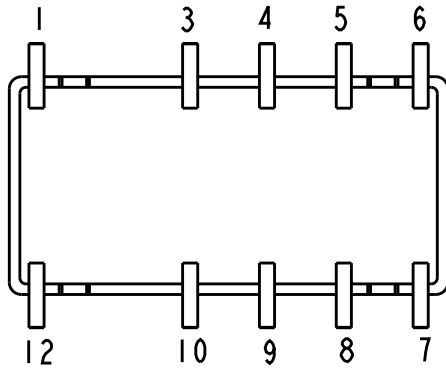
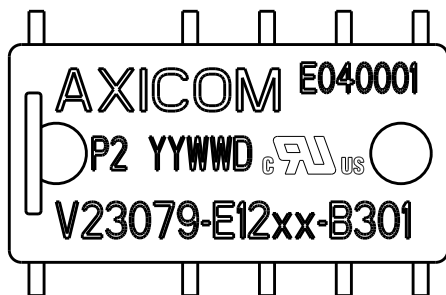
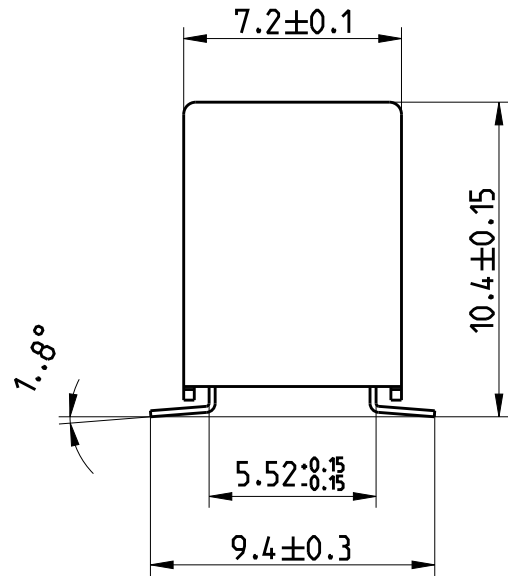
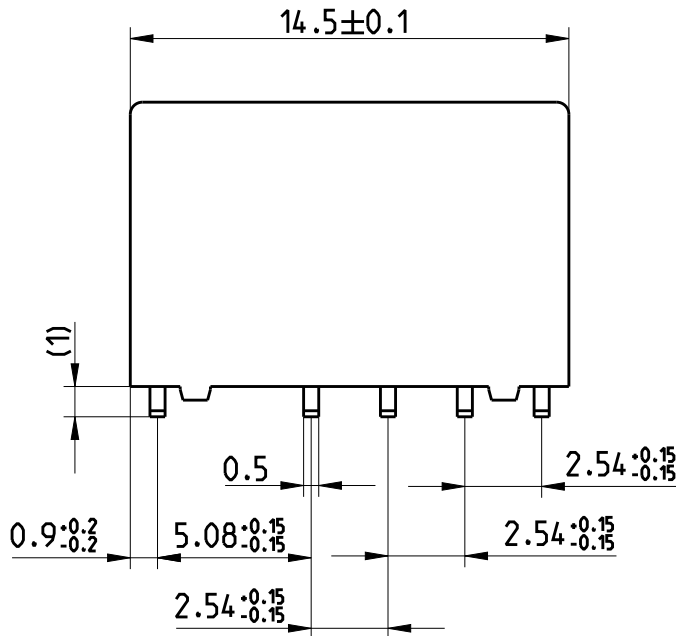


LOC	DIST	REVISIONS					
HJ	-	P	LTR	DESCRIPTION	DATE	DWN	APVD
		C3		ECR-16-015097	25-Oct-16	JK	PH



Relay - bottom view



xx = Relay type
YYWWD = Date code

DRAWING ALIAS C23303-A079-A004

2006

RELEASED FOR PUBLICATION

ALL RIGHTS RESERVED.

THIS DRAWING IS UNPUBLISHED.

© COPYRIGHT 2006

DIMENSIONS: mm	DWN Jan Kadlec	25-Oct-16	MATERIAL	-	FINISH	-
	CHK Robert Kaspar	25-Oct-16	TE Connectivity			
TOLERANCES UNLESS OTHERWISE SPECIFIED: DIN 7168-m	APVD Petr Hofman	25-Oct-16				
	0 PLC ±-	PRODUCT SPEC	-	SIZE	CAGE CODE	DRAWING NO
1 PLC ±	APPLICATION SPEC	-	A4	00779	C-1393788-7	-
2 PLC ±	WEIGHT	-	CUSTOMER DRAWING			
3 PLC ±			SCALE	4:1	SHEET	1 OF 1
4 PLC ±			REV C3			
ANGLES ±-						