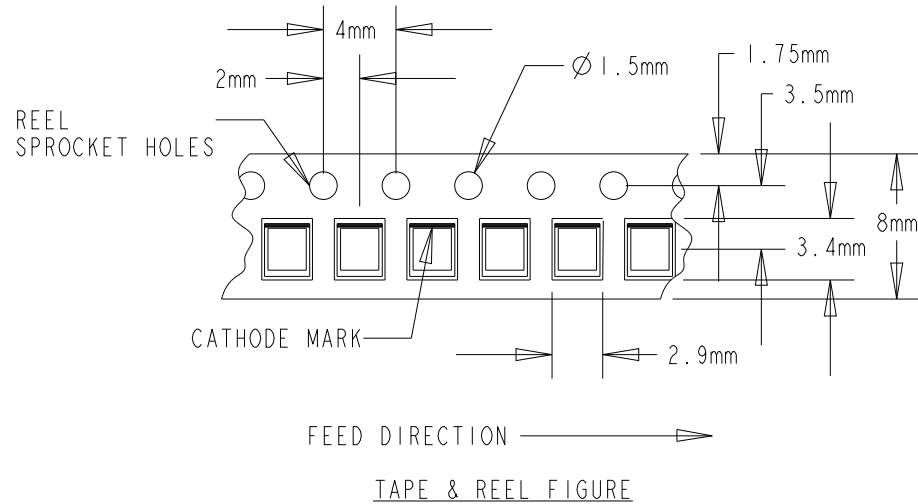
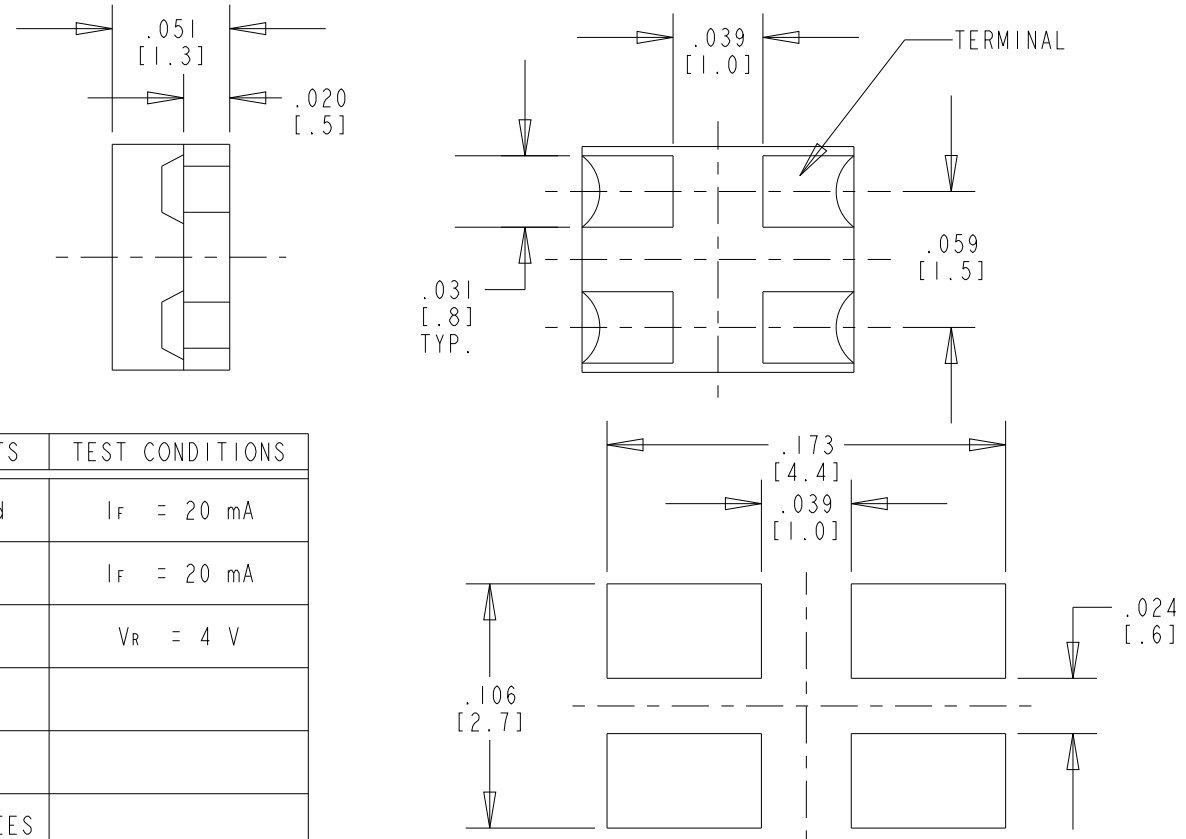


RECOMMENDED RoHS SOLDER PROFILE



TAPE & REEL FIGURE

| REV | ECN NO | REVISIONS | DRN | CKD | APP | DATE |
|-----|--------|--|-----|-----|------|----------|
| A | | NEW RELEASE | DC | --- | N.O. | 3-25-97 |
| B | | ADDED NOTES 7 AND 8. | TC | DC | N.O. | 6-9-99 |
| C | | CHANGED RED CATHODE TO RED ANODE, GREEN CATHODE TO GREEN ANODE ON RIGHT SIDE OF THE CATHODE MARK. | DC | JMC | N.O. | 9-13-02 |
| D | | UPDATED LED SPECS. | YIS | JMC | Y.C. | 2-21-03 |
| E | | ADDED RoHS COMPLIANT "F" SUFFIX P/N'S; RoHS REFLOW PROFILE AND RoHS NOTE; ADDED -502 SAMPLE STRIP; UPDATED FORMAT AND PLATING NOTE | TWC | | | |
| F | | ADDED REEL DRAWING, SOLDER PROFILE & NOTE 10. ALSO UPDATED LED SPECS | BP | VB | NO | 6-6-16 |
| G | | REMOVED NON F SUFFIX AND REPEATING P/N'S FROM NOTE 8 | BP | | NO | 10-10-17 |

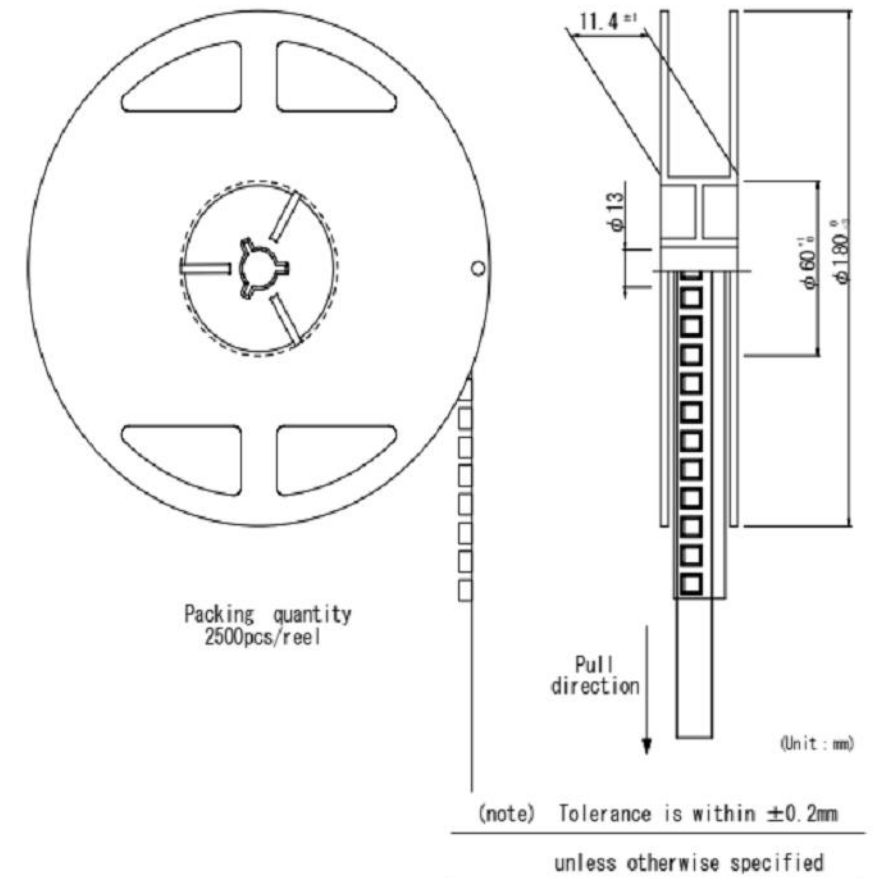
| LED CHARACTERISTICS | COLOR | MIN. | TYP. | MAX. | UNITS | TEST CONDITIONS |
|--------------------------------|--------------|------------|------------|------------|---------------|-----------------------|
| LUMINOUS INTENSITY | RED GREEN | 3.6 9.0 | 6.3 20 | 11 45 | mc d | $I_F = 20 \text{ mA}$ |
| FORWARD VOLTAGE | RED GREEN | | 2.0 2.2 | 2.8 2.8 | V | $I_F = 20 \text{ mA}$ |
| REVERSE CURRENT | RED GREEN | | | 100 | μA | $V_R = 4 \text{ V}$ |
| PEAK WAVELENGTH | RED GREEN | | 650 570 | | nm | |
| DOMINANT WAVELENGTH | RED GREEN | 620 560 | 630 570 | 640 580 | nm | |
| VIEWING ANGLE (2 θ 1/2) | RED GREEN | | 100 | | DEGREES | |

| ABSOLUTE MAXIMUM RATINGS AT 25 °C AMBIENT | RED | GREEN | UNITS |
|---|------------|-------|-------|
| POWER DISSIPATION | 60 | | mW |
| CONTINUOUS FORWARD CURRENT | 25 | | mA |
| DERATE LINEARLY FROM 25 °C | .4 | .3 | mA/°C |
| PEAK FORWARD CURRENT (PULSE WIDTH 1 ms, DUTY 20%) | 60 | | mA |
| REVERSE VOLTAGE | 4 | | V |
| OPERATING TEMPERATURE | -30 TO +85 | | °C |
| STORAGE TEMPERATURE | -40 TO +85 | | °C |

NOTES:

- EPOXY COLOR: WATER CLEAR.
- DIE: GaAsP RED/GaP GREEN.
- LEADS: GOLD (Au), COPPER (Cu), NICKEL (Ni)
- SOLDER ADHERANCE: BOTH LEADS PER MIL. STD. 202E, METHOD 208C.
- PARTS TO BE TAPED AND REELED PER EIA-481-1 SPEC.
- SUFFIX -507 FOR 180 mm DIA. REEL, 8 mm WIDE TAPE, PACKAGED 2500-PCS PER REEL.
- TAPE AND REEL LEDS MAY REQUIRE RE-TAPING AFTER TWELVE MONTHS.
- DIALIGHT PART NUMBER: 597-7701-507F, -502F.
- PART NUMBER WITH "F" SUFFIX ENDING IS RoHS COMPLIANT. EXAMPLE: 597-7701-507F. THE BAG PACKAGING IS MARKED WITH "RoHS COMPLIANT" LABEL OR EQUIVALENT MARKINGS. PART CAN BE WAVE SOLDERED, DIP SOLDERED OR HAND SOLDERED USING TYPICAL LEAD-FREE SOLDERING PROCESS WITH MAX. 260°C TEMPERATURE FOR 5 SEC.
- MSL 3

RECOMMENDED SOLDER LAND PATTERN



| | | |
|---|--|---------------|
| THIS DRAWING AND THE CONTENTS HEREIN ARE CONFIDENTIAL AND THE SOLE PROPERTY OF DIALIGHT CORP. REPRODUCTION OF THIS DRAWING OR CONSTRUCTION OF ANY PARTS WITHIN THIS DRAWING ARE FORBIDDEN WITHOUT THE WRITTEN CONSENT OF DIALIGHT CORP. | | |
| SCALE: DRAWING SCALE | DRAWING NUMBER | REV |
| ALL DIM'S: INCH (mm) | C-16196 | G |
| TOLERANCES: UNLESS OTHERWISE SPECIFIED | TITLE RED/GREEN BICOLOR SMT LED | |
| FRACTIONS: ±1/64 DECIMALS (.XX): ±.01 DECIMALS (.XXX): ±.005 DECIMALS (.XXXX): ±.0005 ANGLES: ±1° | MATERIAL | |
| FINISH | | |
| FSCM 83330 | 1501 ROUTE 34 SOUTH FARMINGDALE, NJ 07727 (732) 919-3119 www.dialight.com | |
| | SHEET 1 OF 1 | FAMILY TABLE: |