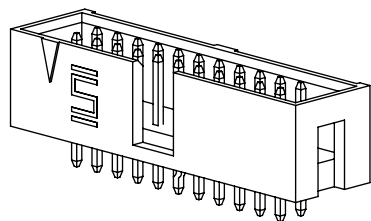


DO NOT SCALE FROM THIS PRINT



HTST-1XX-XX-XX-D-XX-XX

**No OF POSITIONS**  
 -02 (STRAIGHT ONLY)  
 -03 THRU -18, -20, -24,  
 -25, -28, -30, -32 & -36

**POLARIZATION OPTION**  
 -XX: INDICATES POSITION OMITTED

**LEAD STYLE**  
 SEE TABLE 1  
 & TABLE 2

**OPTION**  
 BLANK: STRAIGHT (STYLES -04 & -05 N/A)  
 -RA: RIGHT ANGLE (STYLES -01, -02 & -03 N/A)  
 -LL: LOCKING LEAD (STRAIGHT ONLY)  
 -LA: -RA OPTION WITH -LL OPTION

**ROW SPECIFICATION**  
 -D: DOUBLE ROW  
 (USE HTST-XX-D)

**PLATING SPECIFICATION**  
 -G: GOLD, 10 Au / 50 Ni MIN ON CONTACT, 3 Au / 50 Ni MIN ON TAIL  
 -T: MATTE TIN, CONTACT AND TAIL  
 -S: SELECTIVE, 30 Au / 50 Ni MIN ON CONTACT, MATTE TIN TAIL  
 -L: LIGHT SELECTIVE, 10 Au / 50 Ni MIN ON CONTACT, MATTE TIN TAIL  
 -H: HEAVY GOLD, 30 Au / 50 Ni MIN ON CONTACT, 3Au / 50 Ni MIN ON TAIL  
 -F: FLASH SELECTIVE, 3 Au / 50 Ni ON CONTACT, MATTE TIN TAIL  
 -TM: MATTE TIN CONTACT AND TAIL  
 -SM: SELECTIVE, 30 Au / 50 Ni ON CONTACT, MATTE TIN TAIL  
 -FM: FLASH SELECTIVE, 3 Au / 50 Ni MIN ON CONTACT, MATTE TIN TAIL  
 -LM: LIGHT SELECTIVE, 10 Au / 50 Ni MIN, MATTE TIN TAIL

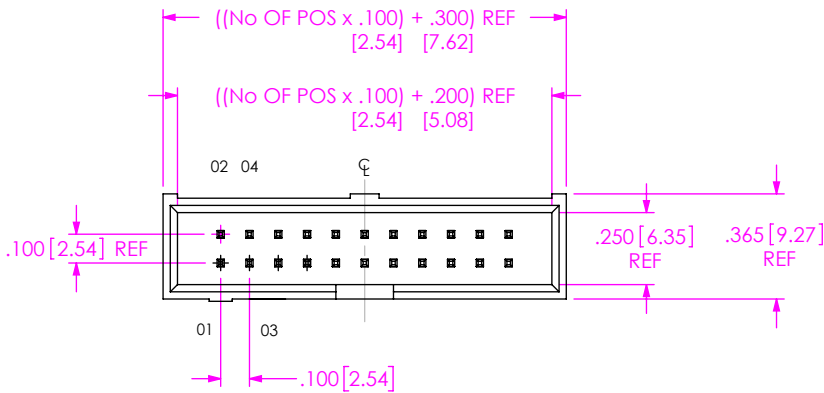
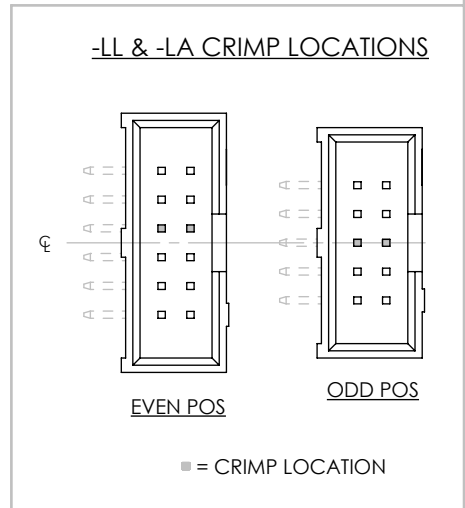
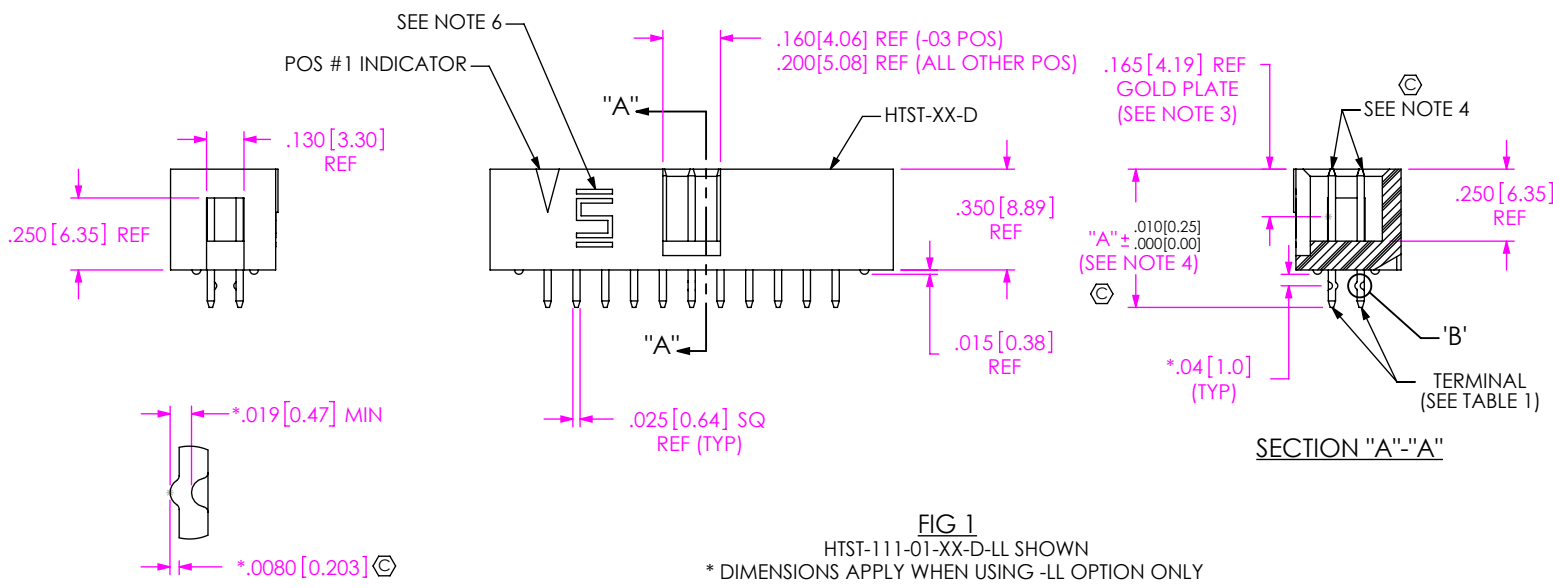


TABLE 1		
LEAD STYLE	"A"	TERMINAL
-01	.480 [12.19]	T-1S6-17-XX-2
-02	.530 [13.46]	T-1S6-08-XX-2
-03	.930 [23.62]	T-1S6-11-XX-2

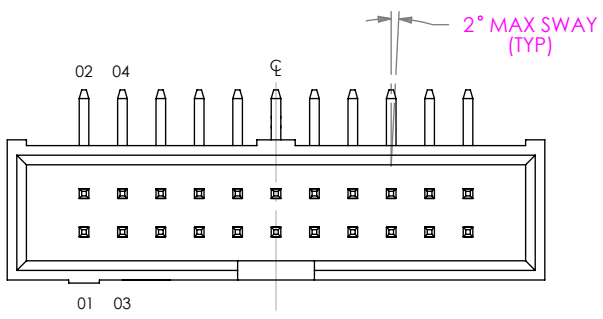
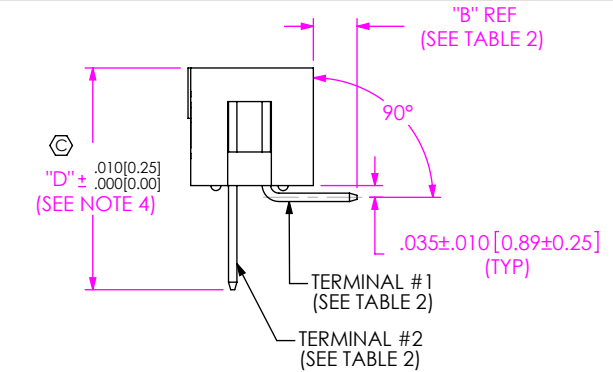
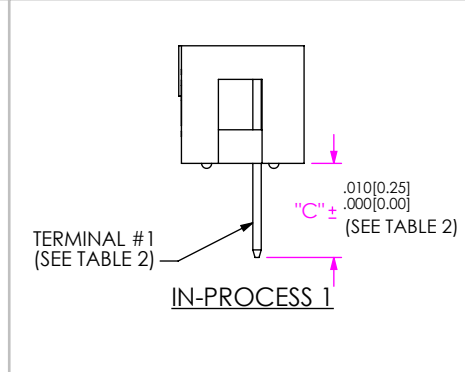
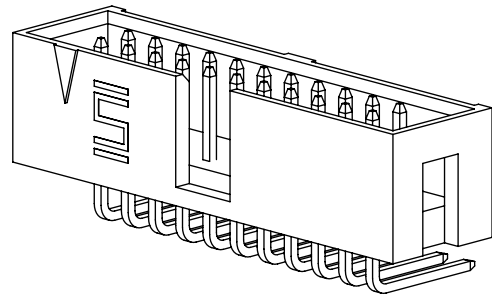


**FIG 1**  
 HTST-111-01-XX-D-LL SHOWN  
 \* DIMENSIONS APPLY WHEN USING -LL OPTION ONLY

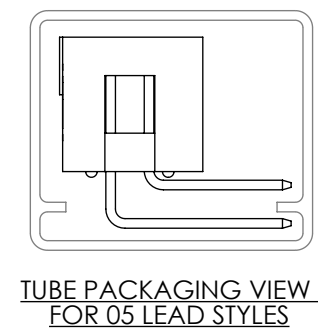
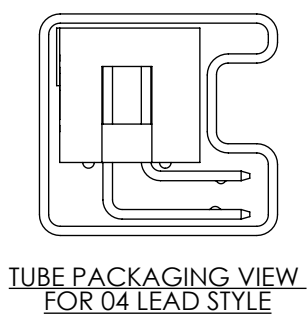
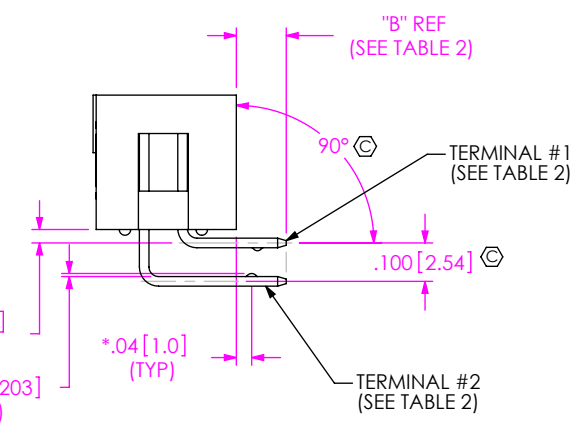
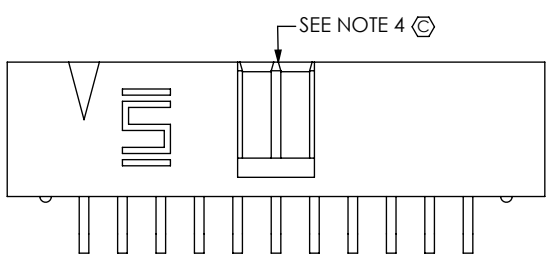
**DETAIL 'B'**  
 SCALE 6 : 1

- NOTES:
- ⊕ REPRESENTS A CRITICAL DIMENSION.
  - TERMINAL PUSHOUT FORCE: 3 lbs.
  - ASSEMBLE GOLD PLATED END AS SHOWN.
  - TERMINALS TO BE FLUSH TO .010 [0.25] BELOW TOP OF SHROUD.

UNLESS OTHERWISE SPECIFIED, DIMENSIONS ARE IN INCHES. TOLERANCES ARE: DECIMALS ANGLES .XX: ±.01 [.3] 2° .XXX: ±.005 [.13] .XXXX: ±.0020 [.051]	<b>PROPRIETARY NOTE</b> THIS DOCUMENT CONTAINS CONFIDENTIAL AND PROPRIETARY INFORMATION AND ALL DESIGN, MANUFACTURING, REPRODUCTION, USE, PATENT RIGHTS AND SALES RIGHTS ARE EXPRESSLY RESERVED BY SAMTEC, INC. THIS DOCUMENT SHALL NOT BE DISCLOSED, IN WHOLE OR PART, TO ANY UNAUTHORIZED PERSON OR ENTITY NOR REPRODUCED, TRANSFERRED OR INCORPORATED IN ANY OTHER PROJECT IN ANY MANNER WITHOUT THE EXPRESS WRITTEN CONSENT OF SAMTEC, INC.	<b>samtec</b> 520 PARK EAST BLVD, NEW ALBANY, IN 47150 PHONE: 812-944-6733 FAX: 812-948-5047 e-Mail: info@SAMTEC.com code: 55322
<b>MATERIAL:</b> DO NOT SCALE DRAWING SHEET SCALE: 1.5:1	<b>INSULATOR:</b> LCP, UL 94 VO COLOR: NATURAL	<b>DESCRIPTION:</b> HIGH TEMP TOP SHROUD TERMINAL STRIP
<b>TERMINAL:</b> PHOS BRONZE		DWG. NO. HTST-1XX-XX-XX-D-XX-XX
F:\DWG\MISC\MKTG\HTST-1XX-XX-XX-D-XX-XX.MKT.SLDDRW		BY: BRATCHER 01/16/04 SHEET 1 OF 2



**FIG 2**  
-RA & -LA OPTIONS  
(HTST-111-04-XX-D-LA SHOWN)  
(SAME AS FIG 1, UNLESS OTHERWISE STATED)  
\* DIMENSIONS APPLY WHEN USING -LA OPTION ONLY



LEAD STYLE	"B"	"C"	"D"	TERMINAL #1	TERMINAL #2
-04	.130[3.30]	.280[7.11]	.830[21.08]	T-1S6-15-XX-2	T-1S6-10-XX-2
-05	.230[5.84]	.380[9.65]	.930[23.62]	T-1S6-09-XX-2	T-1S6-11-XX-2

Lead Style	Packaging	TUBES	PLUG
-01	Bulk	N/A	N/A
-02	Bulk	N/A	N/A
-03	Bulk	N/A	N/A
-04	Tube	PT-1-24-01-40	TP-13
-05	Tube	PT-1-24-12T-109	TP-28

**PROPRIETARY NOTE**  
THIS DOCUMENT CONTAINS CONFIDENTIAL AND PROPRIETARY INFORMATION AND ALL DESIGN, MANUFACTURING, REPRODUCTION, USE, PATENT RIGHTS AND SALES RIGHTS ARE EXPRESSLY RESERVED BY SAMTEC, INC. THIS DOCUMENT SHALL NOT BE DISCLOSED, IN WHOLE OR PART, TO ANY UNAUTHORIZED PERSON OR ENTITY NOR REPRODUCED, TRANSFERRED OR INCORPORATED IN ANY OTHER PROJECT IN ANY MANNER WITHOUT THE EXPRESS WRITTEN CONSENT OF SAMTEC, INC.

DO NOT SCALE DRAWING  
SHEET SCALE: 2:1



520 PARK EAST BLVD, NEW ALBANY, IN 47150  
PHONE: 812-944-6733 FAX: 812-948-5047  
e-Mail: info@SAMTEC.com code: 55322

DESCRIPTION:  
HIGH TEMP TOP SHROUD TERMINAL STRIP  
DWG. NO.

**HTST-1XX-XX-XX-D-XX-XX**

BY: BRATCHER 01/16/04 SHEET 2 OF 2