

REV	DESCRIPTION	DATE	APPROVED
C	31342 REDRAWN TO CAEDS: ADDED ITEM 5	96/10/31	RS
D	40477 *MAX* ADDED TO .59	99/09/27	RS
E	41491 *MAX* ADDED TO .76 & 1.03	00/02/01	RS

OPERATE CHARACTERISTICS

PICKUP 3 AMPS DC MAX  
 DROPOUT 1.2 AMP MIN.  
 CONTINUOUS 16 AMP MAX

CONTACT RATING .25 AMP 28 VDC

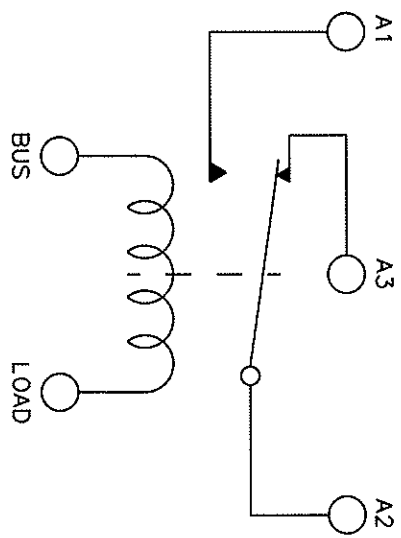
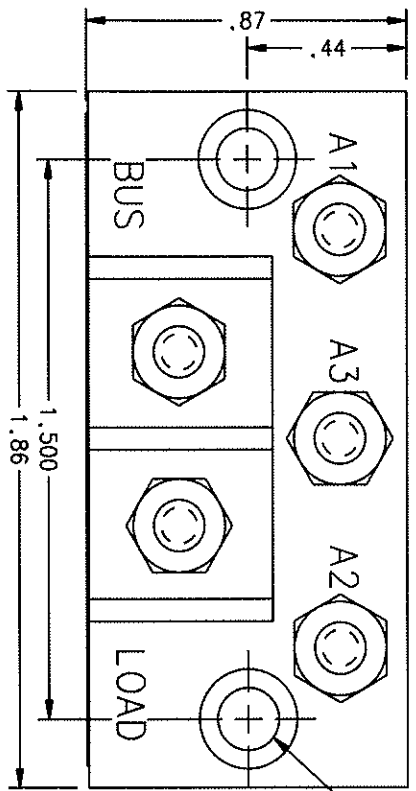
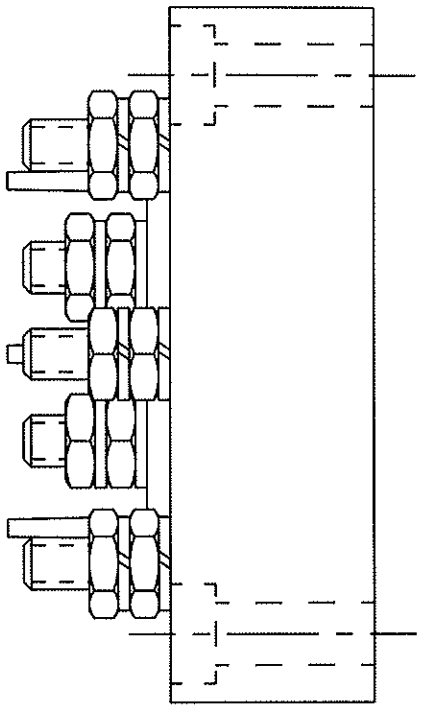
LAMP LOAD .080 AMP 28 VDC

VIBRATION 10 G'S TO 500 HZ

ALTITUDE 50,000 FT. MAX

TEMP. -55°C TO +71°C

MAX. WEIGHT 1.25 OZ.



QTY	PART OR IDENTIFYING NO	NAMEPLATE OR DESCRIPTION	FORM NO	DRAWING OR SPECIFICATION	MATERIAL OR NOTE
1	39529-024	OVERLAY - NAMEPLATE			
4	51806-014	WASHER - LOCK NO. 6 SPLIT			BRONZE
3	50406-034	NUT - 6-32 X 1/4 X 5/64 HEX			BRASS
2	35893-020	RELAY ASSEMBLY - PRIMARY			
1	34246-001	PLATE - NAME			

UNLESS OTHERWISE SPECIFIED DIMENSIONS ARE IN INCHES TOLERANCES IN

DR BY RLS 00/02/25  
 ENGR JJA 00/02/25  
 MFG JJA 00/03/03

HARTMAN ELECTRICAL MANUFACTURING  
 MANSTFIELD, OHIO

RELAY - CURRENT INDICATOR 093  
 SIZE CODE IDENT DIMG NO. C 74063 0-50Z  
 SCALE NONE SHEET