



## 10V Single Channel Programmable Load Switch

The AP22850 is an integrated P-channel load switch, featuring adjustable ramp-up and discharge rate that can be set via an external capacitor and resistor respectively.

In addition, it incorporates a “power good” output to flag when the switch is fully enhanced.

The P-channel switch has a typical  $R_{DS(ON)}$  of 21m $\Omega$ , enabling a current handling capability of up to 8A.

Near-zero quiescent supply current makes it ideal for use in battery powered distribution systems where power consumption is a concern.

The AP22850 features circuitry to suppress fast input transients from coupling to VOUT.



### The Diodes' Advantage

- **Low quiescent supply current**  
“Power Good” flag
- **8A Signal Channel in DFN packaging**  
Increases power density for system power load switch applications
- **Low On-Resistance 21m $\Omega$  high-side switch**  
Reduces output voltage drop and power dissipation
- **Internal Adjustable discharge rate and ramp-up**  
External resistor sets the VOUT discharge rate.  
External capacitor sets the VOUT ramp-up time.

### Applications

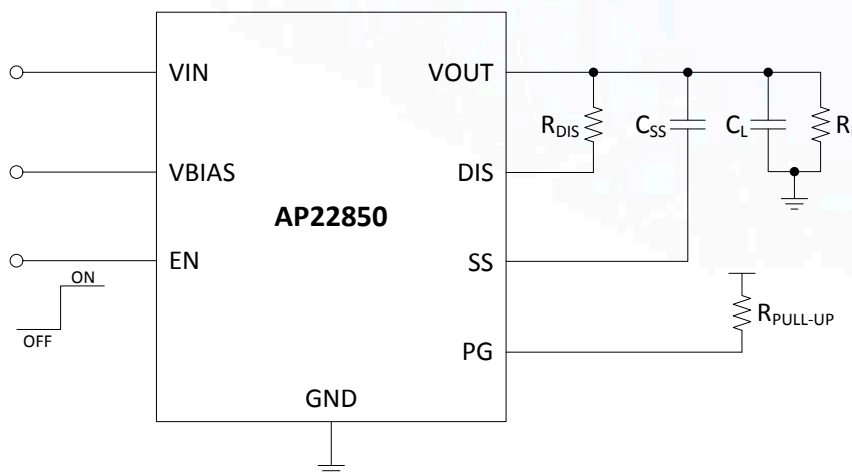
- Tablets
- Set top box
- Computing
- Networking
- Ultrabook
- SSD
- Consumer Electronics



**New Product  
 Announcement**  
 .....  
**AP22850**

# 10V Signal Channel Programmable Load Switch

## Typical Application Schematic



## Product Portfolio

Part	Min. Input Voltage	Max. Input Voltage	Max. Output Current	Enable	Package
AP22850SH8-7	4.5	11	8	Active High	<b>W-DFN2020-8</b>

## Ordering Information

Device	Reel Size	Tape Width	Quantity
AP22850SH8-7	7"	8 mm	3000