

LV8411GR



ON Semiconductor®

<http://onsemi.com>

Bi-CMOS LSI

For DSC, and Cell Phone Camera Modules 4-channel Single-chip Motor Driver IC Application Note

Overview

The LV8411GR is an H- bridge motor driver IC and is able to control 4 modes of forward, reverse, brake, and standby.

This IC housed in a miniature package is optimum for use in a stepping motor driving system for DSC or a camera module of cell phones.

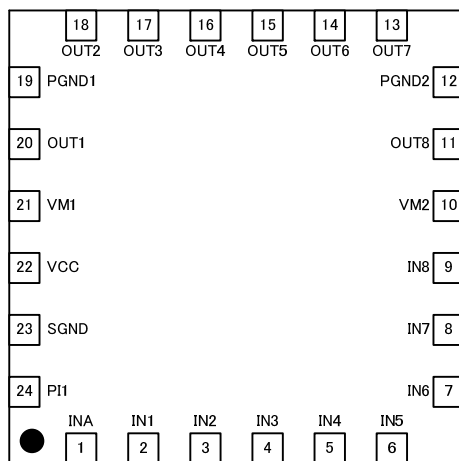
Function

- Saturation drive H bridge: 4 channels
- Built-in thermal protection circuit
- Built-in low voltage malfunction prevention circuit
- Incorporates a transistor for driving photosensors

Typical Applications

- Digital still camera (DSC)
- Camera module of cell phones

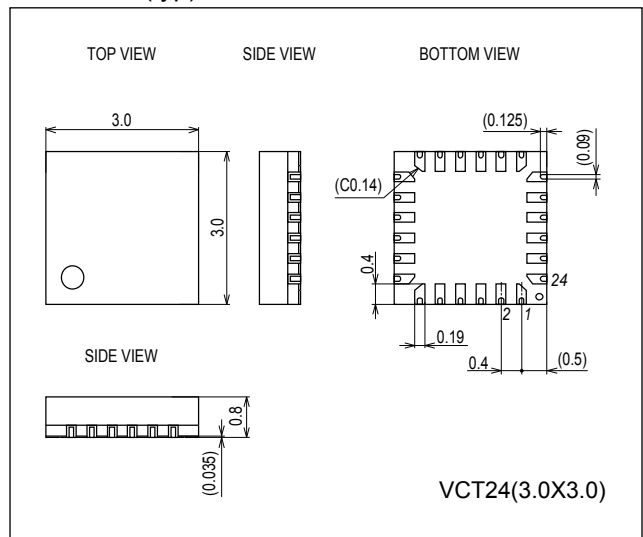
Pin Assignment



(Top view)

Package Dimensions

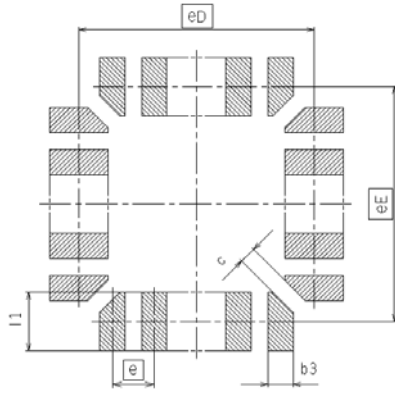
Unit : mm(typ)



Caution: The package dimension is a reference value, which is not a guaranteed value.

LV8411GR Application Note

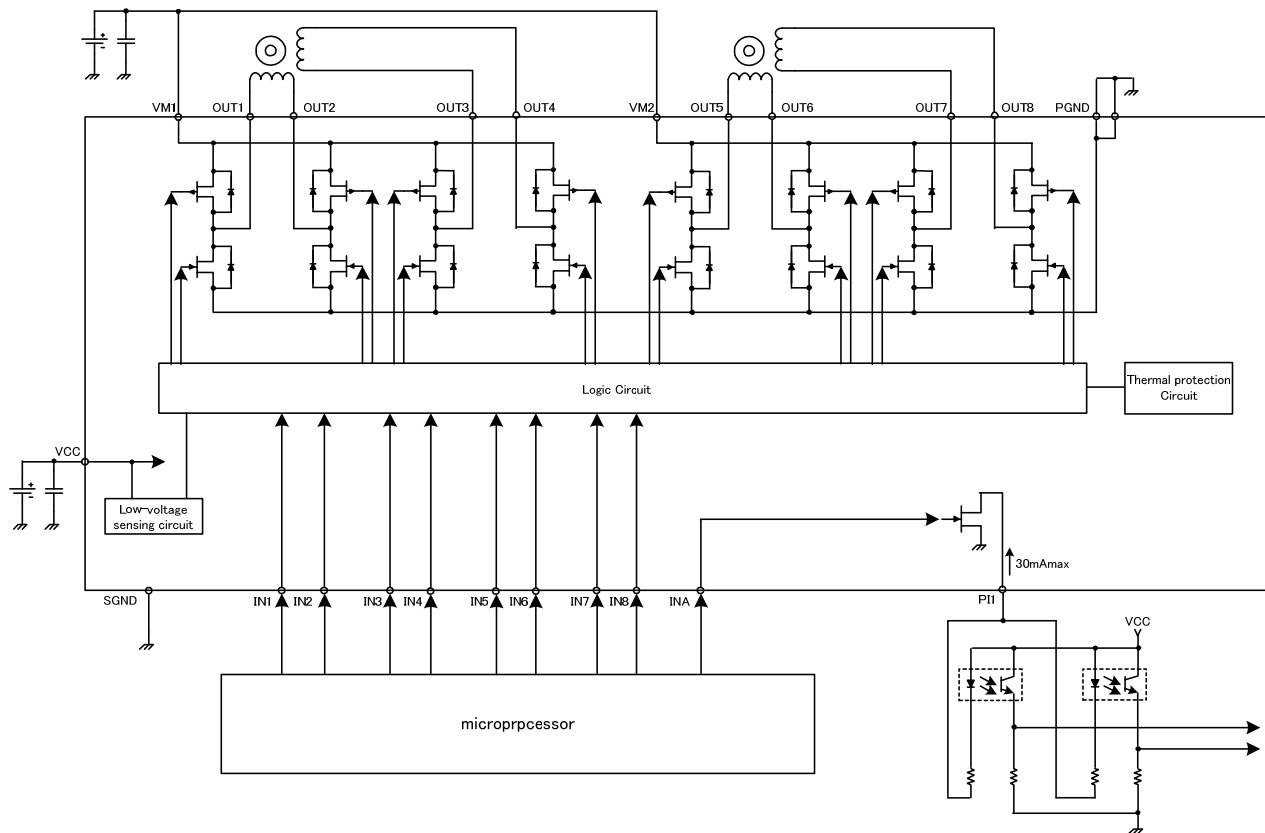
Recommended Soldering Footprint



Unit : mm

Reference Symbol	VCT24(3.0×3.0)
eD	2.70
eE	2.70
e	0.40
b3	0.19
l1	0.70
c	0.20

Block Diagram



LV8411GR Application Note

Specifications

Absolute Maximum Ratings at Ta = 25°C

Parameter	Symbol	Conditions	Ratings	Unit
Power supply voltage 1	V _M max		6.0	V
Power supply voltage 2	V _{CC} max		6.0	V
Output peak current	I _O peak	Channels 1 to 4, t ≤ 10msec, ON-duty ≤ 20%	600	mA
Output continuous current 1	I _O max1	Channels 1 to 4	400	mA
Output continuous current 2	I _O max2	PI1	30	mA
Allowable power dissipation	Pd max	Mounted on a circuit board*	1.05	W
Operating temperature	Topr		-30 to +85	°C
Storage temperature	Tstg		-55 to +150	°C

* Specified circuit board : 40mm×50mm×0.8mm : glass epoxy four-layer board

Caution 1) Absolute maximum ratings represent the value which cannot be exceeded for any length of time.

Caution 2) Even when the device is used within the range of absolute maximum ratings, as a result of continuous usage under high temperature, high current, high voltage, or drastic temperature change, the reliability of the IC may be degraded. Please contact us for the further details.

Stresses exceeding Maximum Ratings may damage the device. Maximum Ratings are stress ratings only. Functional operation above the Recommended Operating Conditions is not implied. Extended exposure to stresses above the Recommended Operating Conditions may affect device reliability.

Recommended Operating Conditions at Ta = 25°C

Parameter	Symbol	Conditions	Ratings			Unit
			min	typ	max	
Power supply voltage range 1	V _M		2.5		5.5	V
Power supply voltage range 2	V _{CC}		2.5		5.5	V
Logic input voltage range	V _{IN}		0		V _{CC} +0.3	V
Input frequency	f _{IN}	IN1 to 8, INA			100	kHz

Electrical Characteristics at Ta=25°C, V_M=5.0V, V_{CC}=3.3V, unless otherwise specified.

Parameter	Symbol	Conditions	Ratings			Unit
			min	typ	max	
Standby mode current drain	I _{stn}	IN1 to 8 = "L"			1.0	μA
V _M current drain	I _M	IN1 = "H", IM1 + IM2, with no load	50	100	200	μA
V _{CC} current drain	I _{CC}	IN1 = "H"	0.3	0.6	1.2	mA
V _{CC} low-voltage cutoff voltage	V _{thV_{CC}}		2.0	2.25	2.5	V
Low-voltage hysteresis voltage	V _{thHIS}		100	150	200	mV
Thermal shutdown temperature	TSD	Design guarantee value *	160	180	200	°C
Thermal hysteresis width	ΔTSD	Design guarantee value *	10	30	50	°C
OUT1 to 8						
Logic pin internal pull-down resistance	R _{in}	IN1 to 8	50	100	200	kΩ
Logic pin input current	I _{inL}	V _{IN} = 0V, IN1 to 8			1.0	μA
	I _{inH}	V _{IN} = 3.3V, IN1 to 8	16.5	33	60	μA
Logic input high-level voltage	V _{inH}	IN1 to 8	2.5			V
Logic input low-level voltage	V _{inL}	IN1 to 8			1.0	V
Output on-resistance	R _{onU}	I _O = 400mA, upper ON resistance		0.75	0.9	Ω
	R _{onD}	I _O = 400mA, lower ON resistance		0.45	0.6	Ω
Output leakage current	I _O leak				1.0	μA
Diode forward voltage	V _D	ID = -400mA	0.7	0.9	1.2	V
PI1						
Logic pin internal pull-down resistance	R _{in}	INA	50	100	200	kΩ
Logic pin input current	I _{inL}	V _{IN} = 0V, INA			1.0	μA
	I _{inH}	V _{IN} = 3.3V, INA	16.5	33	60	μA
Logic input high-level voltage	V _{inH}	INA	2.5			V
Logic input low-level voltage	V _{inL}	INA			1.0	V
Output on-resistance	R _{on}	I _O = 10mA		3.0	6.0	Ω
Output leakage current	I _O leak				1.0	μA

LV8411GR Application Note

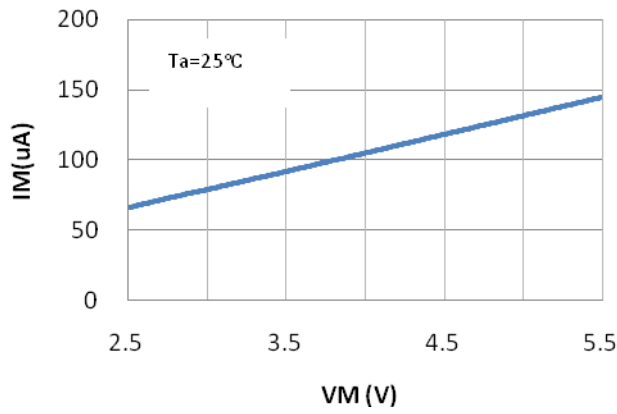


Figure 2. VM current drain vs. VM supply voltage

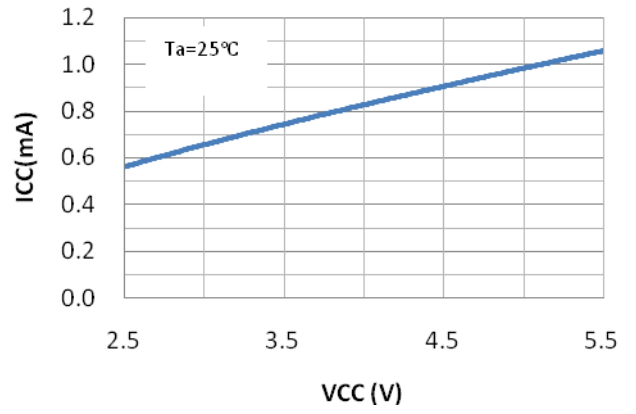


Figure 3. VCC current drain vs. VCC supply voltage

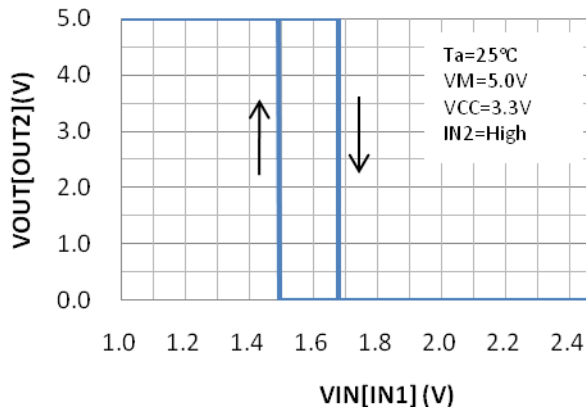


Figure 4. Output voltage vs. Input voltage

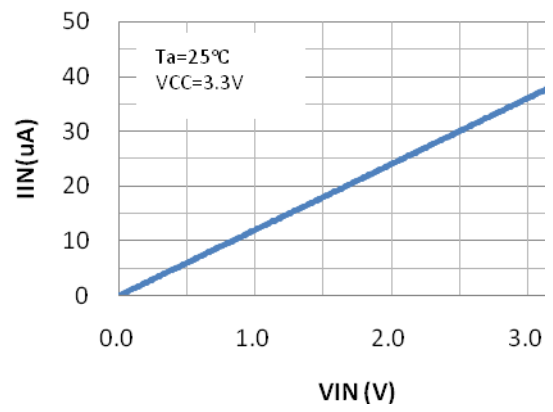


Figure 5. Input current vs. Input voltage

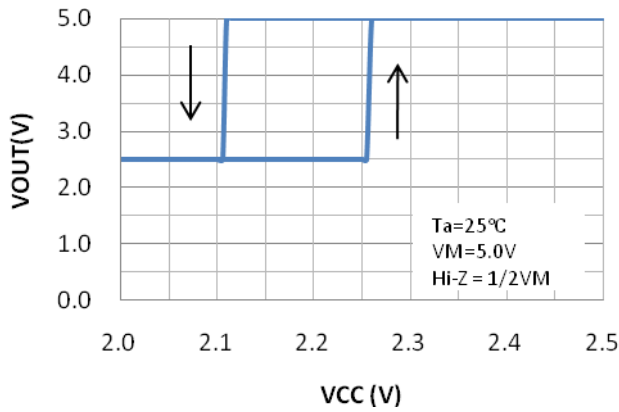


Figure 6. VCC low voltage protection characteristic

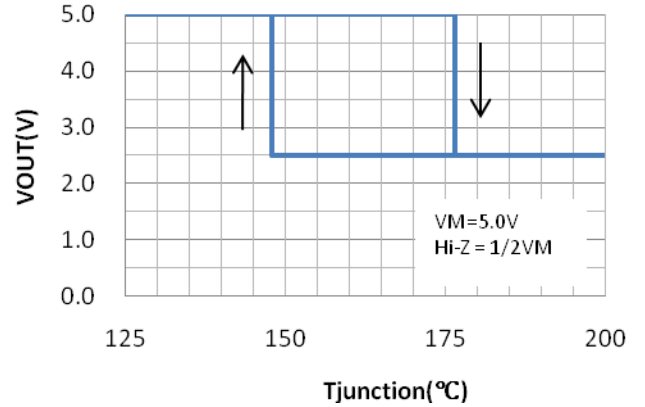


Figure 7. Thermal protection characteristic

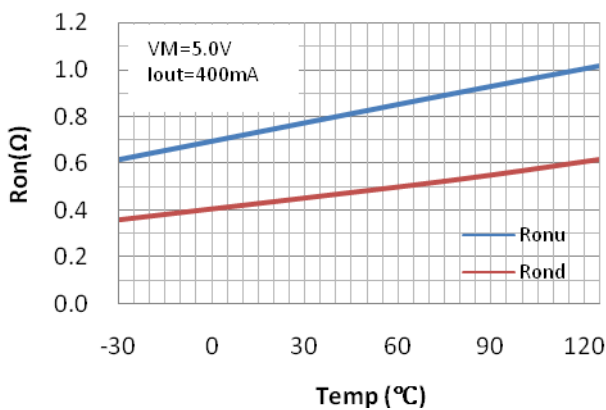


Figure 8. Output on-resistance vs. Temperature

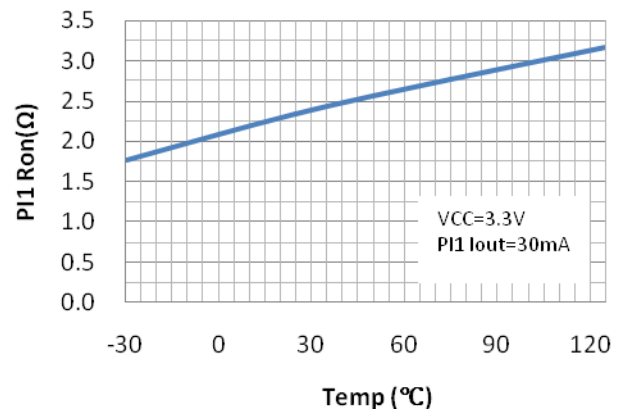


Figure 9. PI1 on-resistance vs. Temperature

LV8411GR Application Note

Pin Functions

Pin No.	Pin name	Pin Function	Equivalent Circuit
1	INA	Control signal input pin (Photo sensor driving transistor) When High, P11 operates. With 100KΩ of pulldown resistor, when OPEN, the operation is equivalent to that of Low control signal. PWM control is feasible when input frequency is 100KHz or lower.	
2 3 4 5 6 7 8 9	IN1 IN2 IN3 IN4 IN5 IN6 IN7 IN8	Control signal input pin When the voltage level is High, all the outputs that correspond to inputs are activated. Since 100KΩ of pull-down resistor is inserted, when OPEN the operation is equivalent to that of Low control signal. PWM control is feasible when the input frequency is 100KHz or lower.	
11 13 14 15 16 17 18 20	OUT8 OUT7 OUT6 OUT5 OUT4 OUT3 OUT2 OUT1	Output pin This pin is connected to the motor. Operation mode is determined according to the state of control signal input pins.	

LV8411GR Application Note

Pin No.	Pin name	Pin Function	Equivalent Circuit
24	PI1	Photo sensor driving transistor output pin ON/OFF of the internal Nch MOS is determined according to the state of INA	
22	VCC	Logic system power supply connection pin Supply voltage range is between 2.5V and 5.5V. To stabilize VCC power line, connect a bypass capacitor between this pin and SGND(pin 23).	
10 21	VM2 VM1	Motor power supply connection pin Supply voltage range is between 2.5V and 5.5V. To stabilize VM power line, connect a bypass capacitor between these pins and PGND(12,19pin) respectively.	
23	SGND	Signal ground	
12 19	PGND2 PGND1	Power ground	

Operation explanation

Saturation drive H bridge

4-channels H bridge drivers are integrated independently which enable controlling 4 modes: forward, reverse, brake, and standby.

Logic input specifications

- Common channels 1 to 4
- ch1 : IN1 to IN2, OUT1 to OUT2
- ch2 : IN3 to IN4, OUT3 to OUT4
- ch3 : IN5 to IN6, OUT5 to OUT6
- ch4 : IN7 to IN8, OUT7 to OUT8

Input		Output		Operation mode
IN1	IN2	OUT1	OUT2	
L	L	OFF	OFF	Standby
H	L	H	L	CW (forward)
L	H	L	H	CCW (reverse)
H	H	L	L	Brake

When IN1 to IN8 are "Low", the operation of H bridge output stage is in standby mode. When "high" is applied to an input pin that corresponds to each channel, the output transistor of the H- bridge output stage operates and the operation shifts as follows: forward, reverse, and brake.

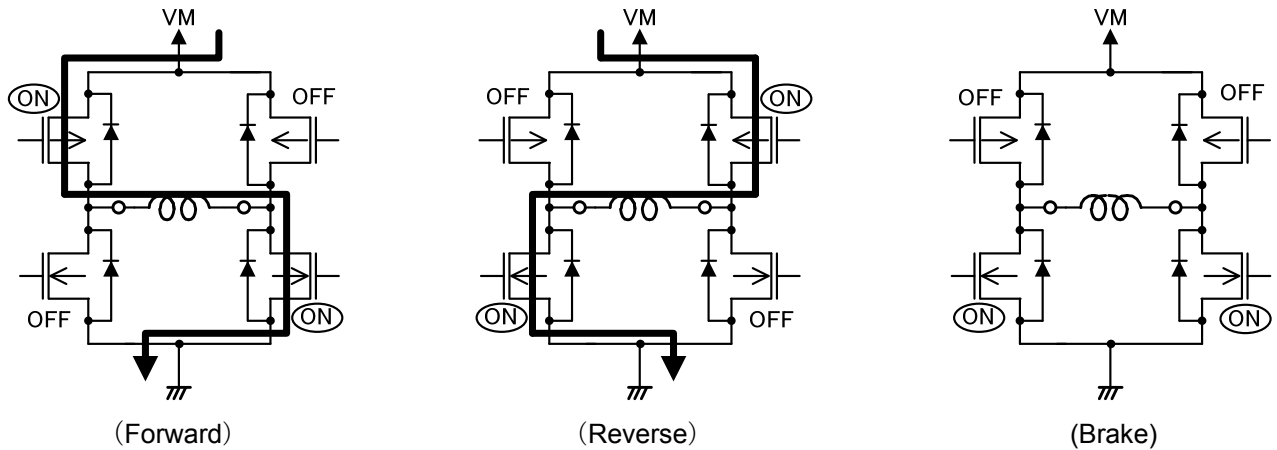


Figure 10. Output stage transistor function

- Photo sensor driving transistor

By setting INA to High, Nch transistor for driving photo sensor operates.

Since you can sink constant current of 30mA at a maximum, this motor driver can be used for LED.

When thermal shutdown and V_{CC} low-voltage cut circuits are activated, OUT1 through OUT8 are turned OFF under control of the internal circuit. But the output (PI1) of photo sensor driving transistor continues operation.

Input	Photo sensor driving PI1
L	OFF
H	ON

Thermal protection

This IC includes thermal shutdown circuit.

The thermal shutdown circuit is incorporated and the output is turned off when junction temperature T_j exceeds 180°C . As the temperature falls by hysteresis, the output is turned on again (automatic restoration). The thermal shutdown circuit does not guarantee the protection of the final product because it operates when the temperature exceeds the junction temperature of $T_{j\text{max}}=150^{\circ}\text{C}$.

Thermal hysteresis width is the difference of temperature between the start of thermal shutdown and auto recovery.

Thermal shutdown temperature = 180°C (typ)
Thermal hysteresis width = 30°C (typ)

VCC Low voltage malfunction prevention

This IC includes the function of VCC Low voltage malfunction prevention.

When the supply voltage of VCC lowers down to **approximately** 2.25V (typ), H bridge output stage shifts from operation mode to standby mode. On the other hand, when the supply voltage of VCC increases to **approximately** 2.4V , H bridge output stage shifts to operation mode.

Low-voltage hysteresis voltage is the difference of VCC electric potential between VCC increase and decrease where switch of H bridge output stage occurs.

VCC low-voltage cutoff voltage = 2.25V (typ)
Low-voltage hysteresis voltage = 150mV (typ)

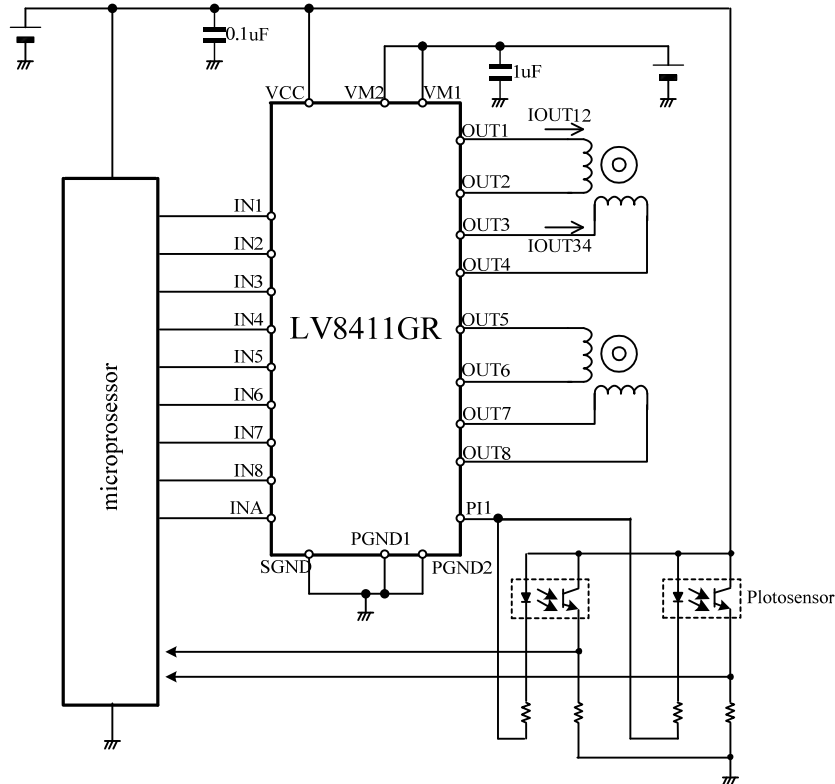
LV8411GR Application Note

Application Circuit Example

•2phase excitation mode setting of stepping motor

A stepping motor can be driven through 2-phase excitation mode by switching input signal as follows.

INPUT				OUTPUT				Position No.
IN1	IN2	IN3	IN4	OUT1	OUT2	OUT3	OUT4	
H	L	L	H	H	L	L	H	(1)
H	L	H	L	H	L	H	L	(2)
L	H	H	L	L	H	H	L	(3)
L	H	L	H	L	H	L	H	(4)



**Figure 11. Sample Application Circuit
(Stepping motor drive circuit)**

Bypass capacitor has no specific regulation on electrolytic capacitor or ceramic capacitor. However, it is recommended that the capacitor with large capacitance is connected adjacent to supply pin and GND to ensure that it can control voltage fluctuation of the supply line sufficiently. When capacitor with high capacitance is used, charge current to capacitor increases. Hence, caution is required for the battery's capability of current supply.

Recommendation value

Between VM and PGND: 1.0uF or higher

Between VCC and SGND: 0.1uF or higher

LV8411GR Application Note

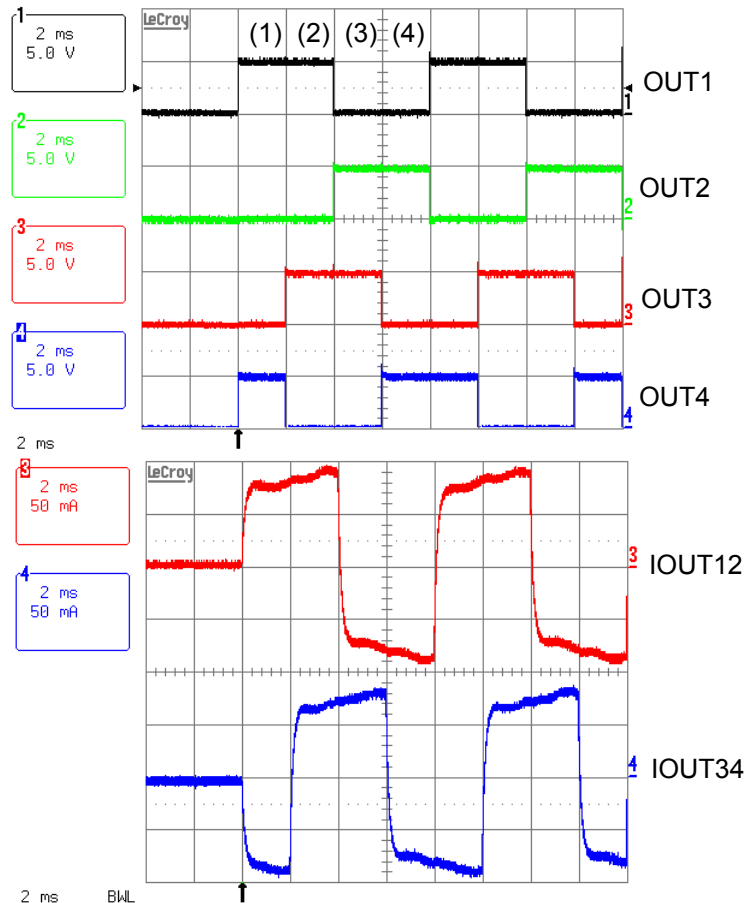
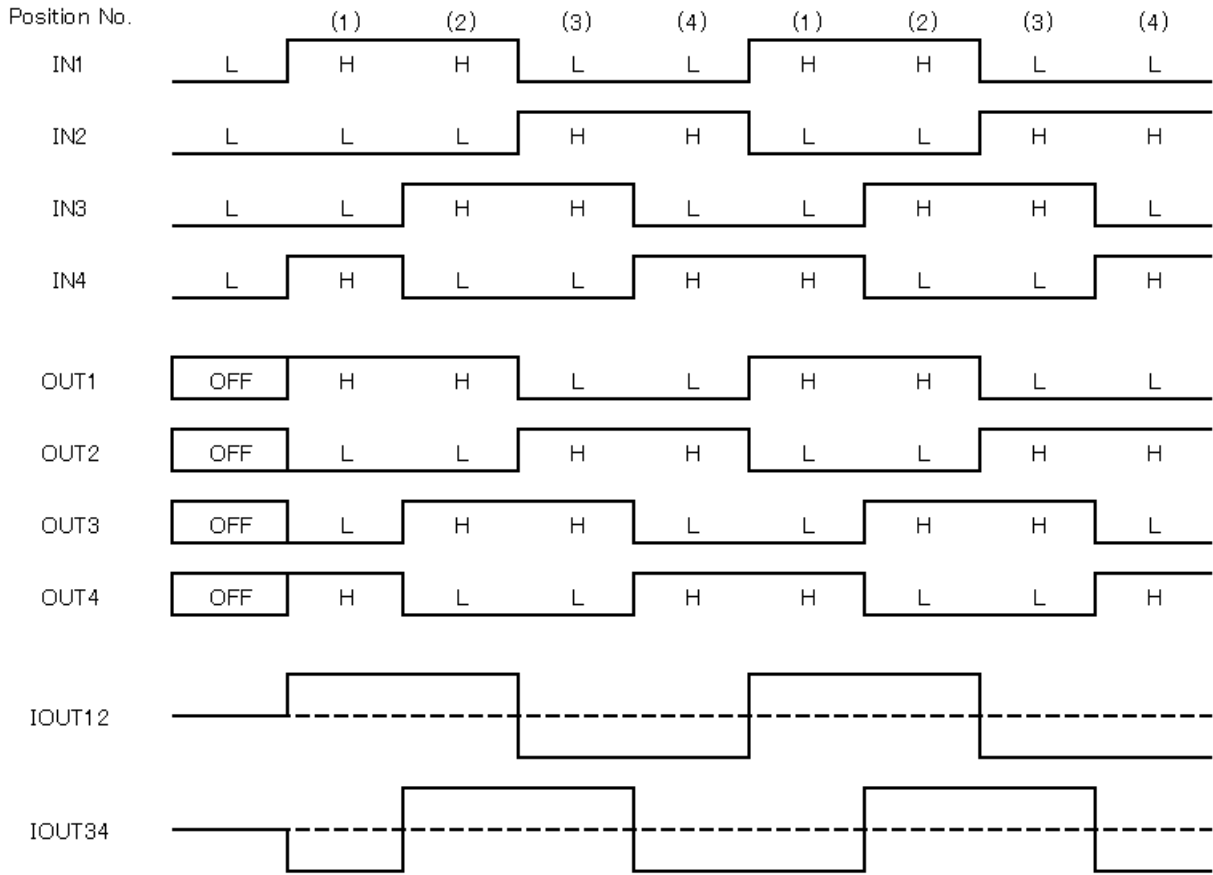


Figure 12. Timing chart for stepping motor 2phase excitation

LV8411GR Application Note

•1-2phase excitation mode setting of stepping motor

A stepping motor can be driven through 1-2-phase excitation mode by switching input signal as follows.

INPUT				OUTPUT				Position No.
IN1	IN2	IN3	IN4	OUT1	OUT2	OUT3	OUT4	
H	L	L	H	H	L	L	H	(1)
H	L	L	L	H	L	OFF	OFF	(2)
H	L	H	L	H	L	H	L	(3)
L	L	H	L	OFF	OFF	H	L	(4)
L	H	H	L	L	H	H	L	(5)
L	H	L	L	L	H	OFF	OFF	(6)
L	H	L	H	L	H	L	H	(7)
L	L	L	H	OFF	OFF	L	H	(8)

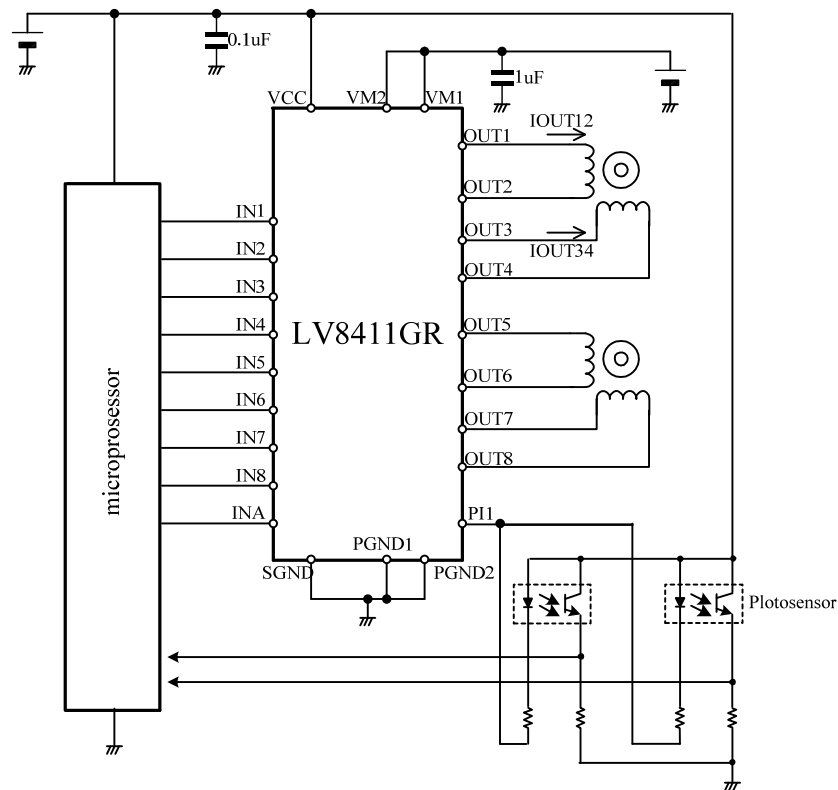
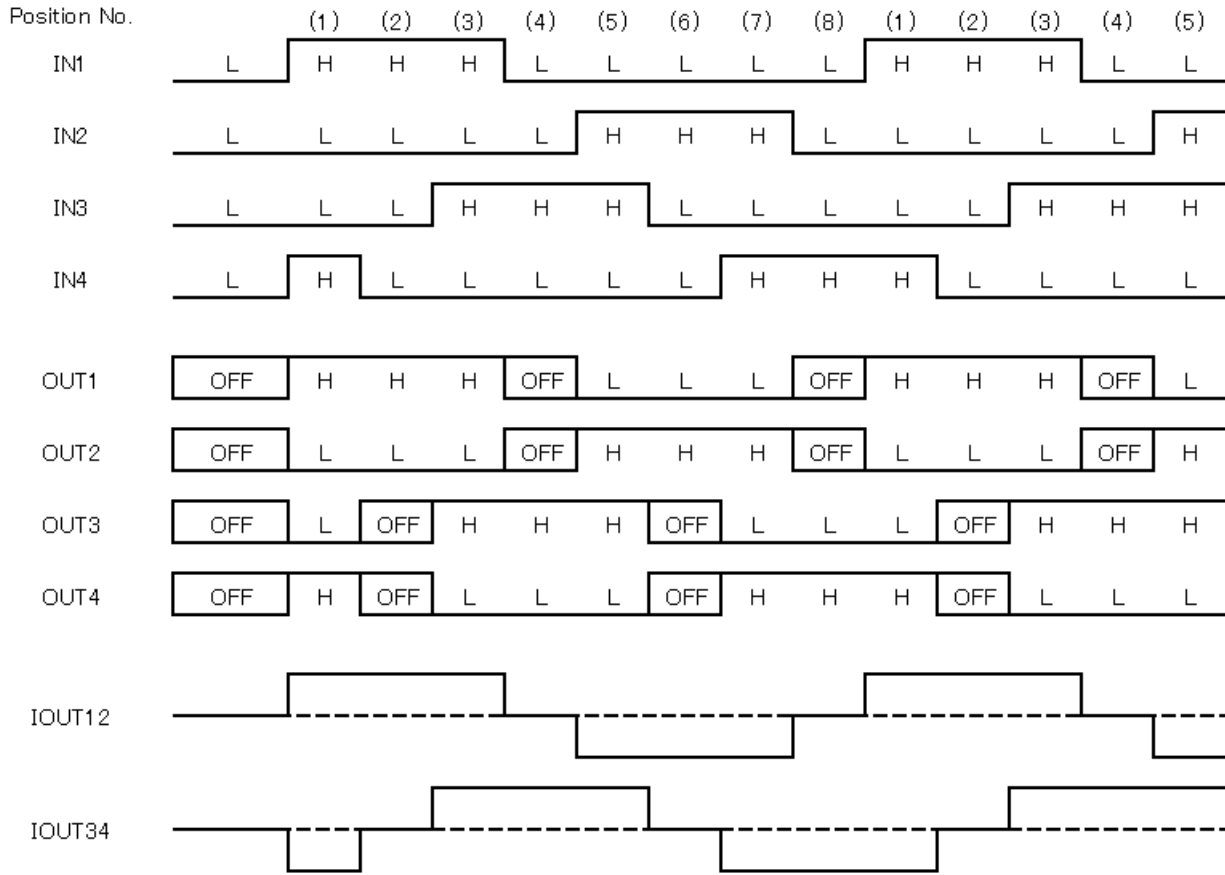


Figure 13. Stepping motor drive circuit

LV8411GR Application Note



The kickback is generated by the coil component of the motor.

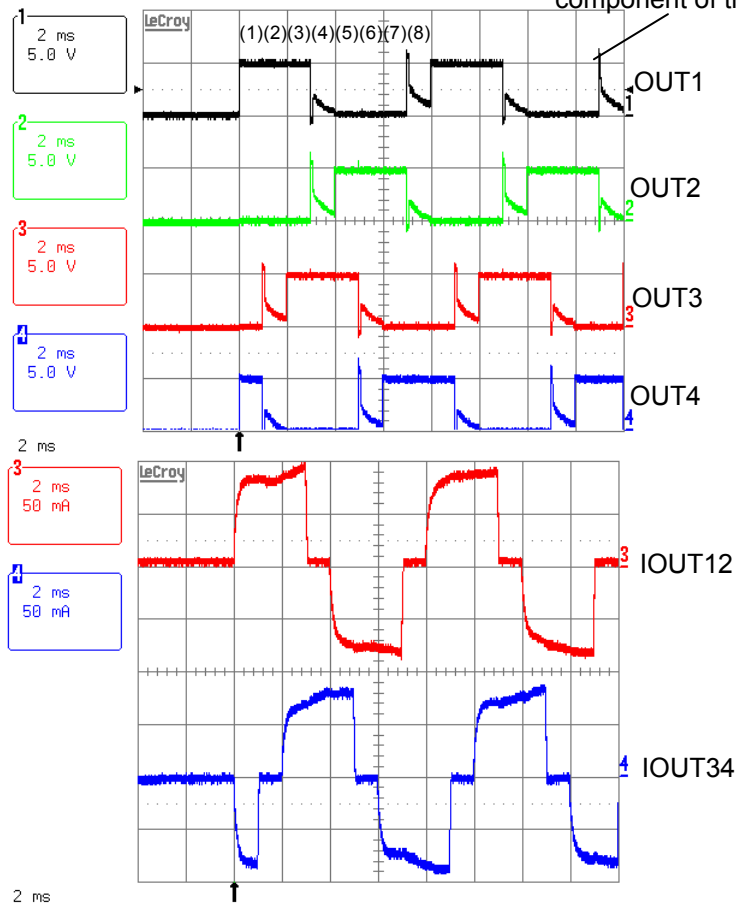


Figure 14. Timing chart for stepping motor 1-2phase excitation

LV8411GR Application Note

•Operation setting of DC motor

CW (forward)

INPUT		OUTPUT		Condition.
IN1	IN2	OUT1	OUT2	
H	L	H	L	CW(forward)
H	H	L	L	Brake

CCW (reverse)

INPUT		OUTPUT		Condition.
IN1	IN2	OUT1	OUT2	
L	H	L	H	CCW (reverse)
H	H	L	L	Brake

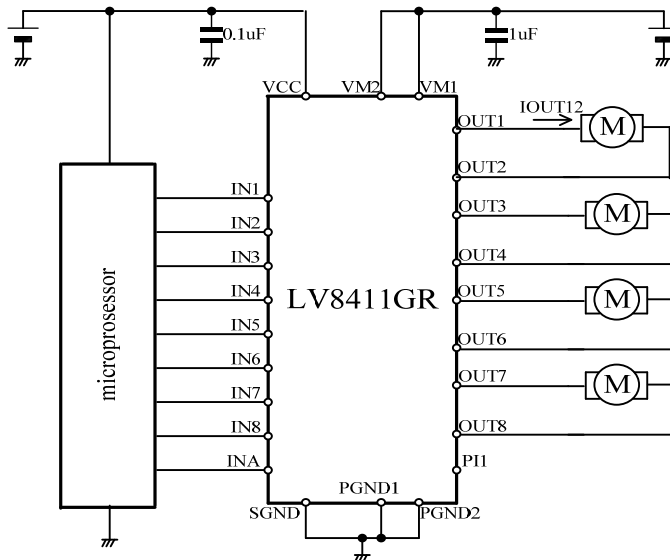
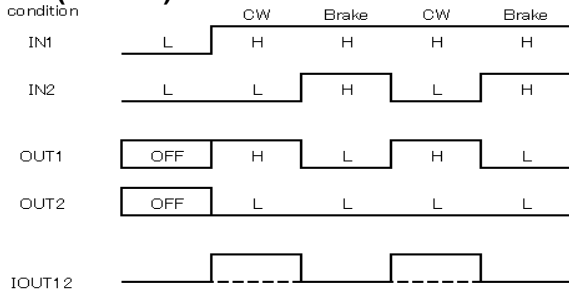


Figure 15. DC motor drive circuit

CW(forward)



CCW(reverse)

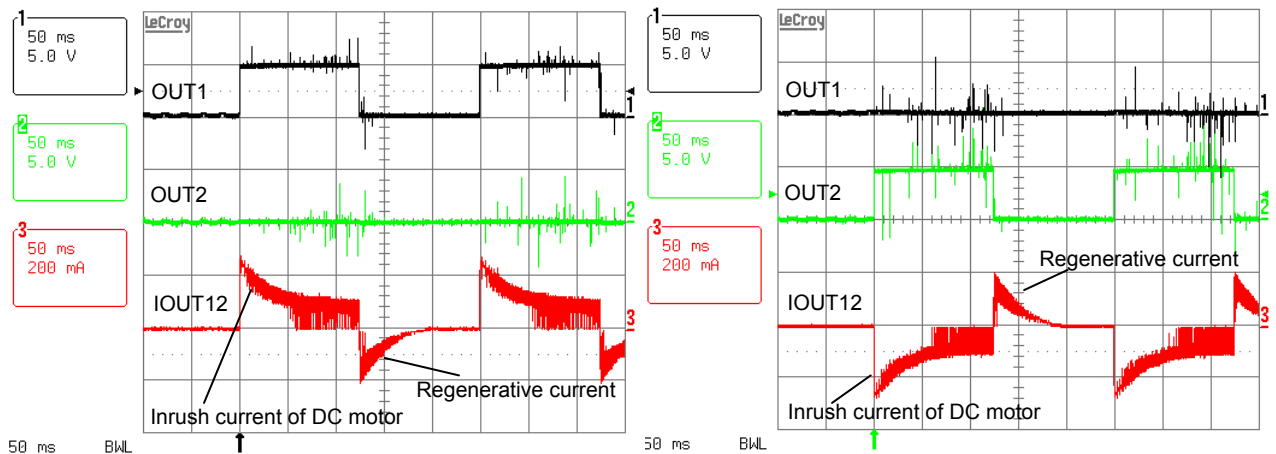
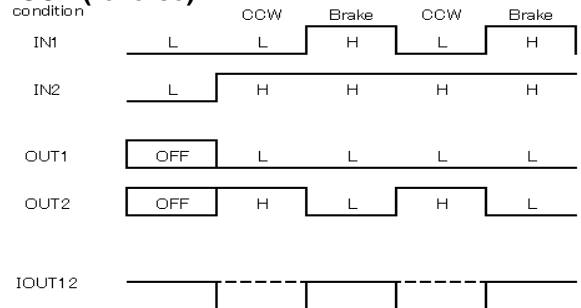


Figure 16. Driving waveform of DC motor

LV8411GR Application Note

Input and output characteristics of H-Bridge

LV8411GR can be driven by direct PWM control of H-Bridge by inputting PWM signal to IN. However output response of H-Bridge worsens around On-duty 0%, which generates dead zone. As a result, IC control loses linearity. If you intend to drive motor in such control range, make sure to check the operation of your motor.

Input-Output Characteristics of H-Bridge (reference data)

Forward/Reverse ⇌ Brake

VM=5.0V

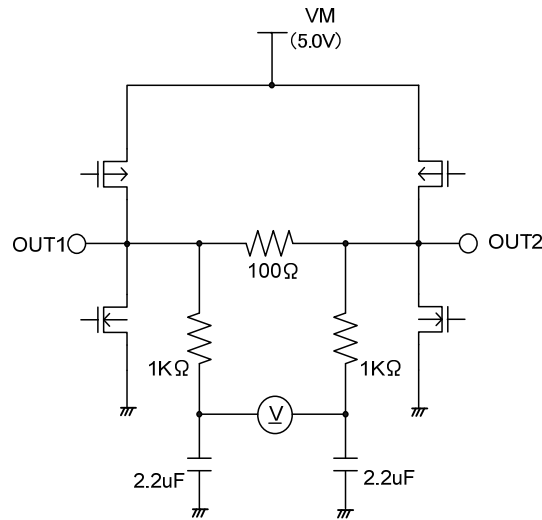


Figure 17.Measurement connection diagram

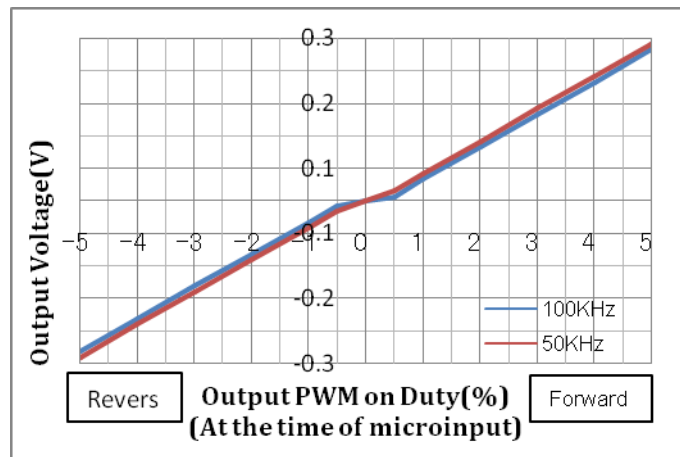
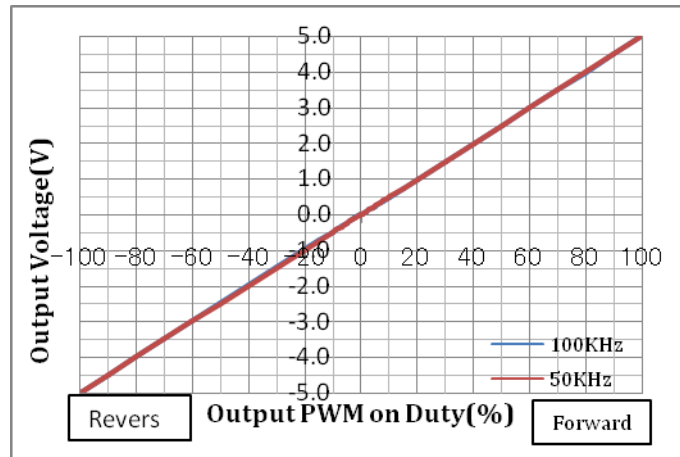
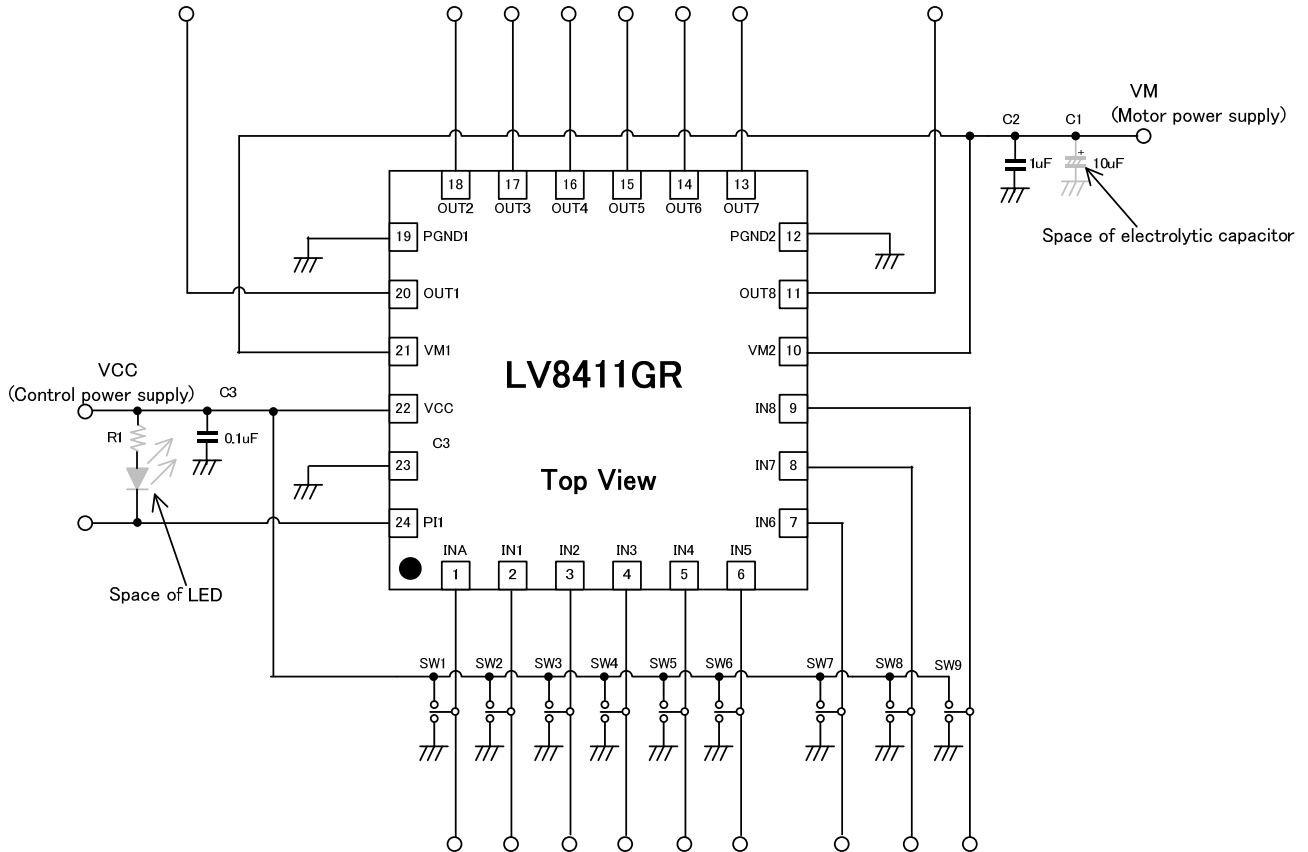


Figure 18. Input and Output Characteristics of H-Bridge

LV8411GR Application Note

Evaluation Board Manual

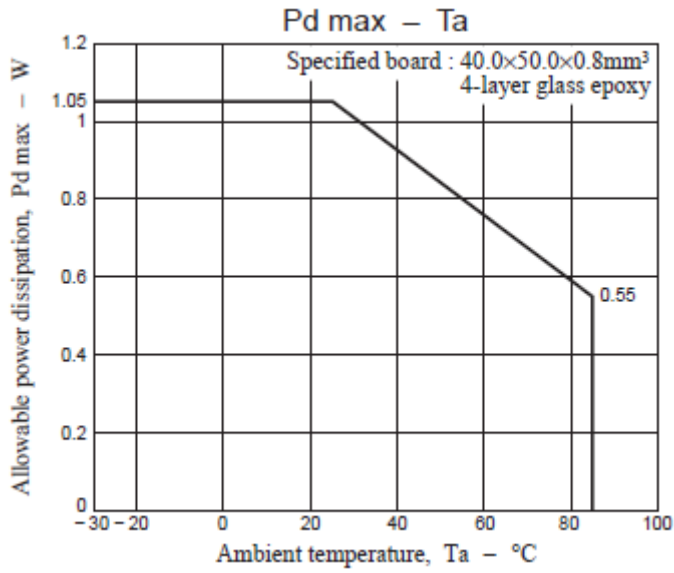
1. Evaluation Board circuit diagram



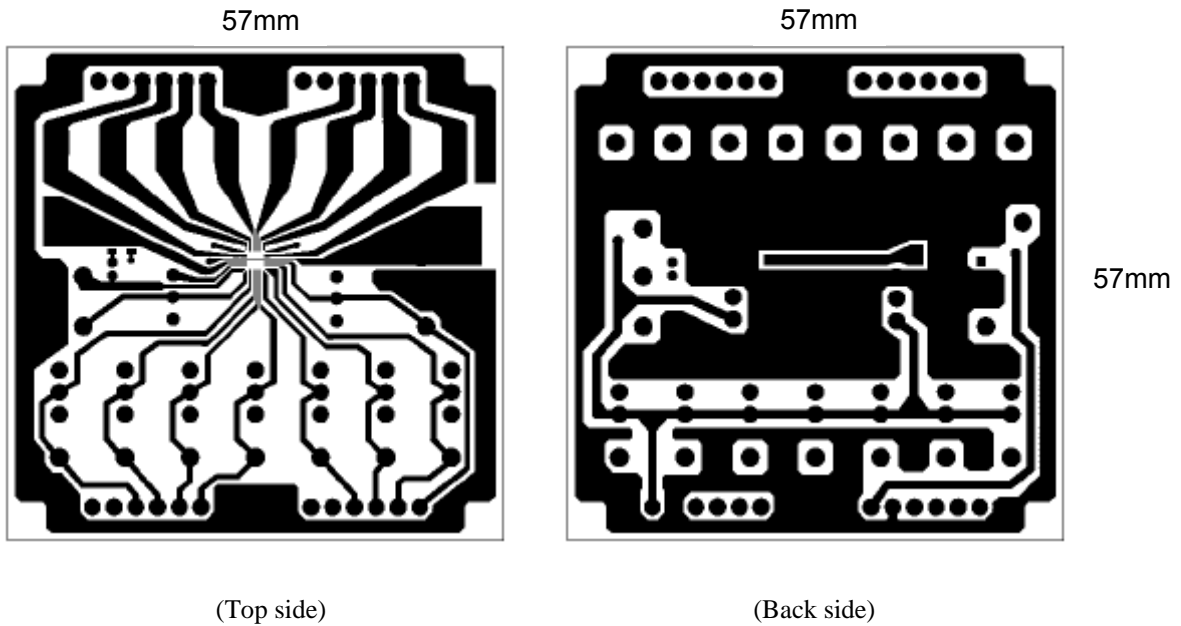
Bill of Materials for LV8411GR Evaluation Board

Designator	Qty	Description	Value	Tol	Footprint	Manufacturer	Manufacturer Part Number	Substitution Allowed	Lead Free
IC1	1	Motor Driver			VCT24 (3.0 × 3.0)	ON Semiconductor	LV8411GR	No	Yes
C1	1	VM Bypass capacitor	10µF					Yes	
C2	1	VM Bypass capacitor	1.0µF 10V	10%	1608	Murata	GRM188B11A 105K	Yes	Yes
C3	1	VCC Bypass capacitor	0.1µF 100V	10%	1608	Murata	GRM188R72A 104KA35D	Yes	Yes
R1	1	LED current limitation resistance						Yes	
LED	1	Substitution of photo sensor						Yes	
SW1-SW9	9	Switch				MIYAMA	MS-621-A01	Yes	Yes
TP1-TP20	20	Test points				MAC8	ST-1-3	Yes	Yes

LV8411GR Application Note

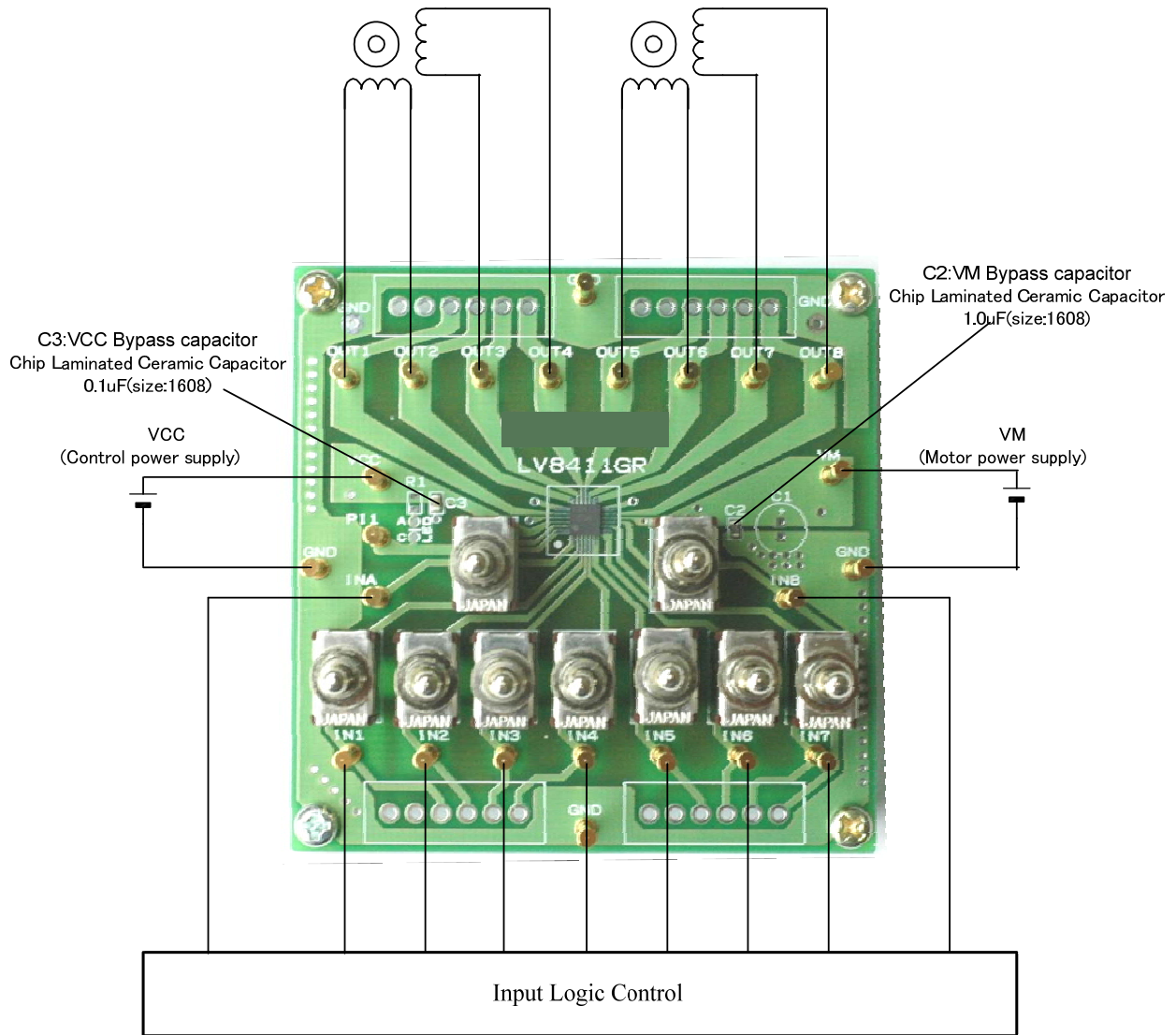


Evaluation Board PCB Design



LV8411GR Application Note

2. Two stepping motor drive



- Connect a stepping motor 1 with OUT1, OUT2, OUT3 and OUT4.
- Connect a stepping motor 2 with OUT5, OUT6, OUT7 and OUT8.
- Connect the motor power supply with the terminal VM, the control power supply with the terminal VCC. Connect the GND line with the terminal GND.
- You can drive stepping motor through 2-phase excitation mode by switching input signal as follows. In the case of stepping motor 2, switch IN5 to IN8 in the same way.

INPUT				OUTPUT				Position No.
IN1	IN2	IN3	IN4	OUT1	OUT2	OUT3	OUT4	
H	L	L	H	H	L	L	H	(1)
H	L	H	L	H	L	H	L	(2)
L	H	H	L	L	H	H	L	(3)
L	H	L	H	L	H	L	H	(4)

LV8411GR Application Note

For 1-2-phase excitation mode, switch input signal as follows.

INPUT				OUTPUT				Position No.
IN1	IN2	IN3	IN4	OUT1	OUT2	OUT3	OUT4	
H	L	L	H	H	L	L	H	(1)
H	L	L	L	H	L	OFF	OFF	(2)
H	L	H	L	H	L	H	L	(3)
L	L	H	L	OFF	OFF	H	L	(4)
L	H	H	L	L	H	H	L	(5)
L	H	L	L	L	H	OFF	OFF	(6)
L	H	L	H	L	H	L	H	(7)
L	L	L	H	OFF	OFF	L	H	(8)

*The descriptions in p.8 to p.11 are the same as the description in this section.

- By setting INA to High, Nch transistor for photo sensor operates.

Since you can sink constant current of 30mA at a maximum, this motor driver can be used for LED.

If necessary, please use LED to confirm the operation of the IC.

LV8411GR Application Note

ON Semiconductor and the ON logo are registered trademarks of Semiconductor Components Industries, LLC (SCILLC). SCILLC owns the rights to a number of patents, trademarks, copyrights, trade secrets, and other intellectual property. A listing of SCILLC's product/patent coverage may be accessed at www.onsemi.com/site/pdf/Patent-Marking.pdf. SCILLC reserves the right to make changes without further notice to any products herein. SCILLC makes no warranty, representation or guarantee regarding the suitability of its products for any particular purpose, nor does SCILLC assume any liability arising out of the application or use of any product or circuit, and specifically disclaims any and all liability, including without limitation special, consequential or incidental damages. "Typical" parameters which may be provided in SCILLC data sheets and/or specifications can and do vary in different applications and actual performance may vary over time. All operating parameters, including "Typicals" must be validated for each customer application by customer's technical experts. SCILLC does not convey any license under its patent rights nor the rights of others. SCILLC products are not designed, intended, or authorized for use as components in systems intended for surgical implant into the body, or other applications intended to support or sustain life, or for any other application in which the failure of the SCILLC product could create a situation where personal injury or death may occur. Should Buyer purchase or use SCILLC products for any such unintended or unauthorized application, Buyer shall indemnify and hold SCILLC and its officers, employees, subsidiaries, affiliates, and distributors harmless against all claims, costs, damages, and expenses, and reasonable attorney fees arising out of, directly or indirectly, any claim of personal injury or death associated with such unintended or unauthorized use, even if such claim alleges that SCILLC was negligent regarding the design or manufacture of the part. SCILLC is an Equal Opportunity/Affirmative Action Employer. This literature is subject to all applicable copyright laws and is not for resale in any manner.